



US00D497061S1

(12) **United States Design Patent**  
**Decarolis**

(10) **Patent No.:** **US D497,061 S**

(45) **Date of Patent:** **\*\* Oct. 12, 2004**

- (54) **AUDIO VIDEO SHELVING UNIT**
- (75) **Inventor:** **Phil Decarolis**, North Port, NY (US)
- (73) **Assignee:** **Bell'O International, L.L.C.**,  
Morganville, NJ (US)
- (\*\*) **Term:** **14 Years**

- D472,074 S \* 3/2003 de Carolis ..... D6/479
- D472,075 S 3/2003 de Carolis
- D483,966 S \* 12/2003 Forlenza et al. .... D6/474

- (21) **Appl. No.:** **29/190,160**
- (22) **Filed:** **Sep. 15, 2003**

- (51) **LOC (7) Cl.** ..... **06-04**
- (52) **U.S. Cl.** ..... **D6/479**
- (58) **Field of Search** ..... D6/630, 477-479;  
108/59, 64, 91-93, 107, 144.11, 147.11,  
147.12, 147.13, 149, 151; 211/13.1, 42,  
43, 49.1, 85.26, 134, 187-190, 153, 207;  
312/7.2

(56) **References Cited**

**U.S. PATENT DOCUMENTS**

- D371,259 S 7/1996 Herbst
- D378,175 S 2/1997 Hamami
- D402,486 S 12/1998 Wada et al.
- D405,630 S 2/1999 Wohlford
- D427,459 S \* 7/2000 Druebbisch ..... D6/479
- D441,217 S 5/2001 Pepin et al.
- D451,307 S 12/2001 Dong
- D467,099 S \* 12/2002 Antonioni ..... D6/479
- D472,073 S 3/2003 de Carolis

**OTHER PUBLICATIONS**

Bell'O 2002 International Catalog.

\* cited by examiner

*Primary Examiner*—Cathron Brooks

(74) *Attorney, Agent, or Firm*—Lerner, David, Littenberg,  
Krumholz & Mentlik, LLP

(57) **CLAIM**

The ornamental design for audio video shelving unit, as shown and described.

**DESCRIPTION**

FIG. 1 is a perspective view of a first embodiment of the subject audio video shelving unit;  
 FIG. 2 is a front plan view thereof;  
 FIG. 3 is a rear view thereof;  
 FIG. 4 is a right side view thereof (the left side being a mirror image of the right side view);  
 FIG. 5 is a top plan view thereof;  
 FIG. 6 is a perspective view of a second embodiment of the subject audio video shelving unit; and,  
 FIG. 7 is a top plan view of the embodiment shown in FIG. 6 (all other views of the second embodiment having the same appearance as FIGS. 2, 3 and 4).

**1 Claim, 7 Drawing Sheets**

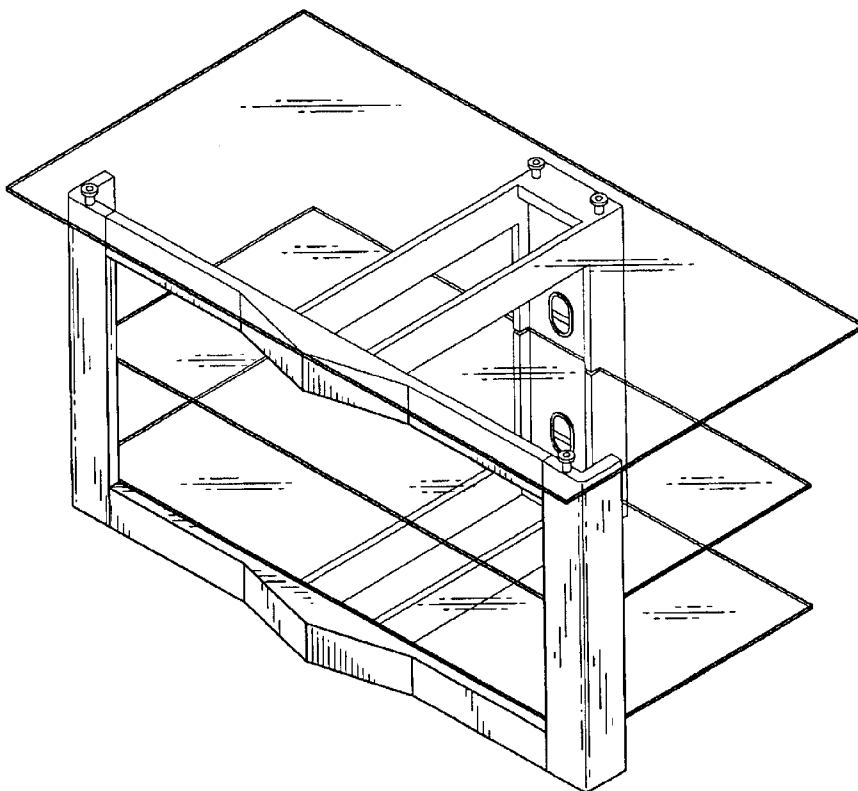


FIG. 1

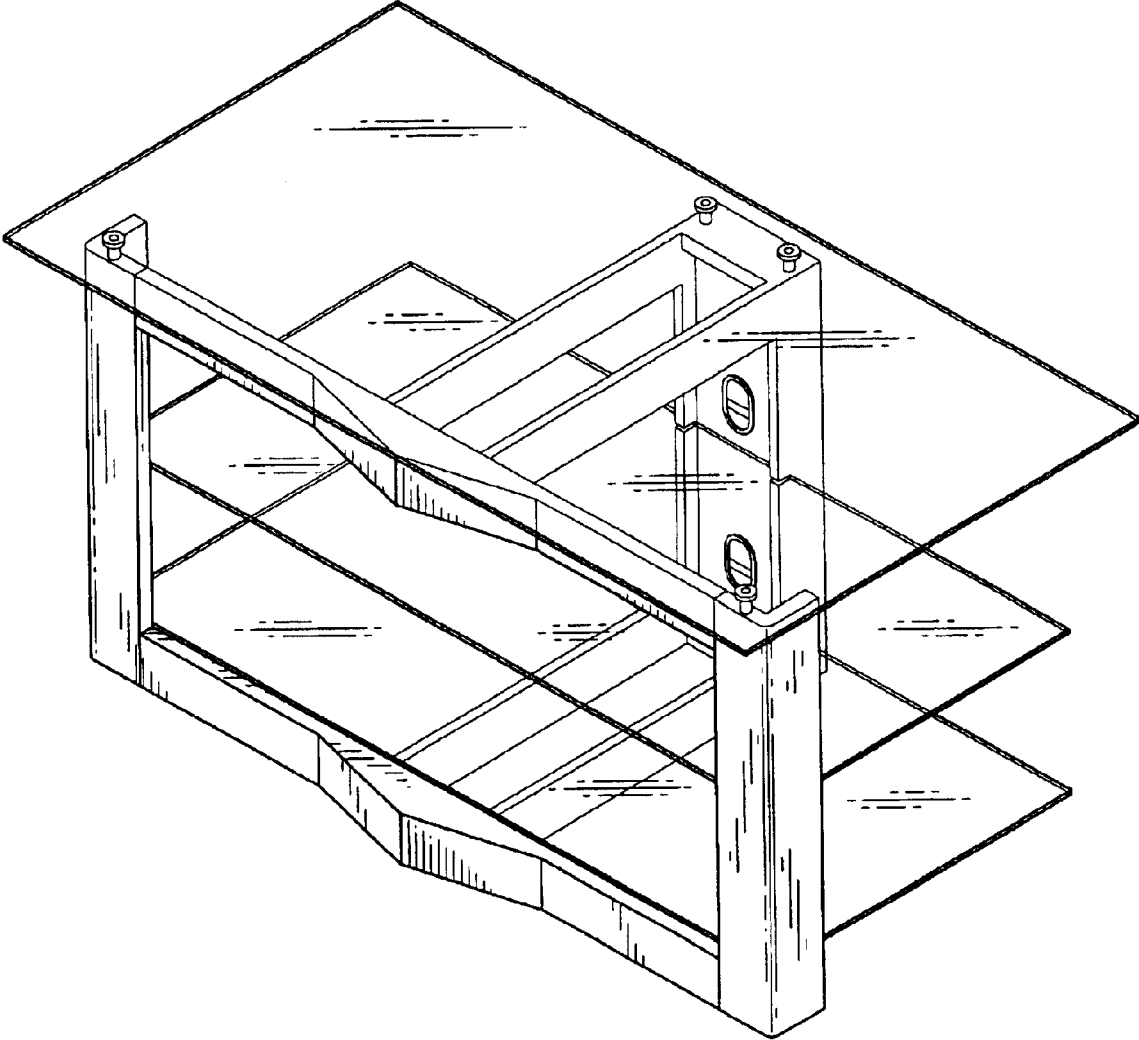


FIG. 2

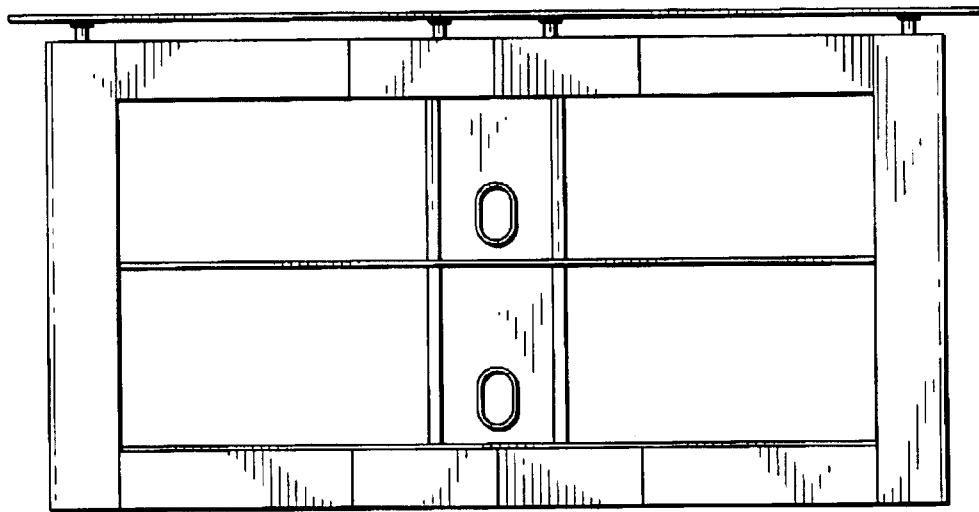


FIG. 3

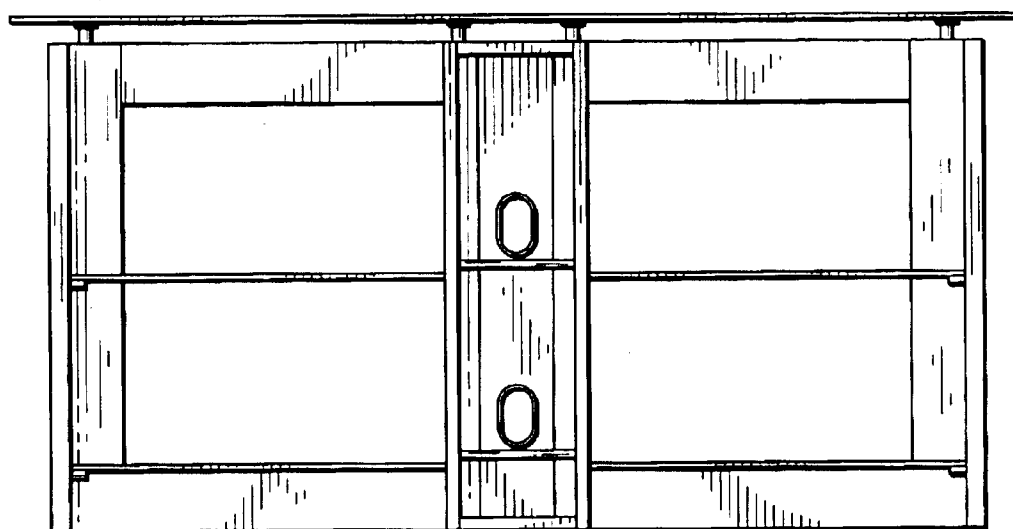


FIG. 4

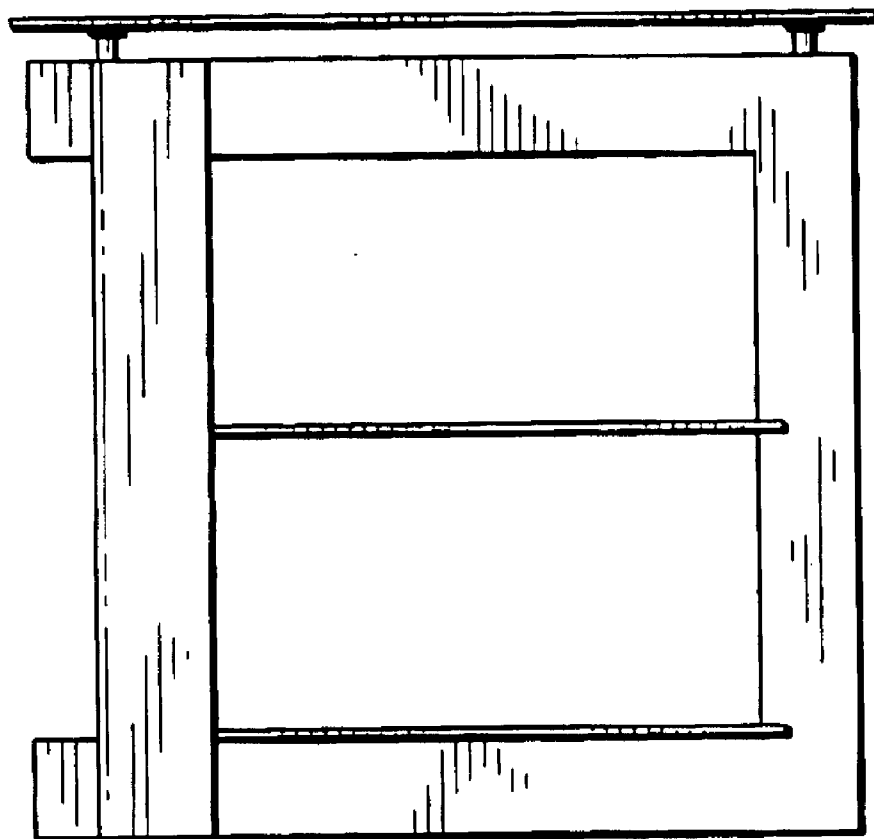


FIG. 5

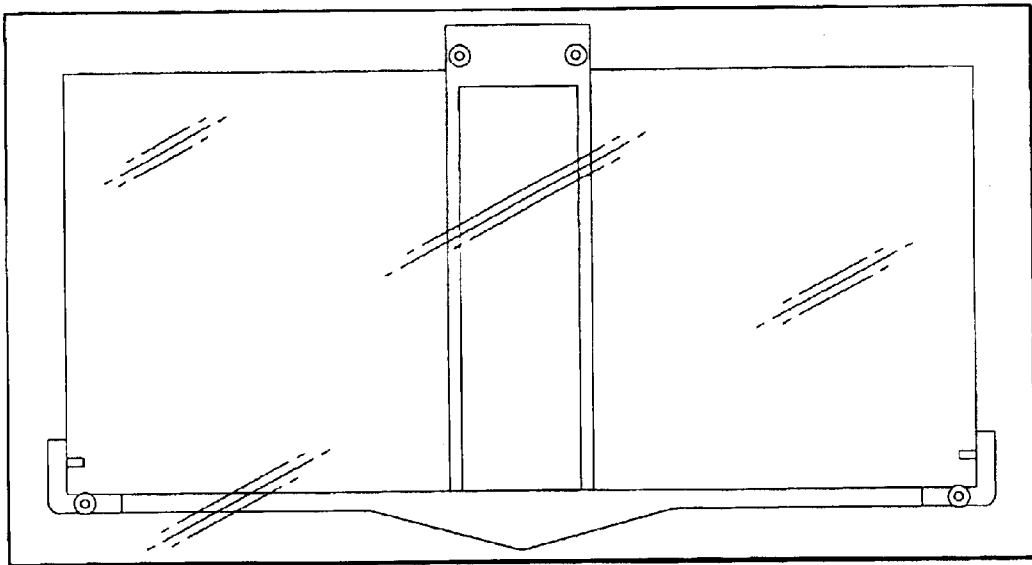


FIG. 6

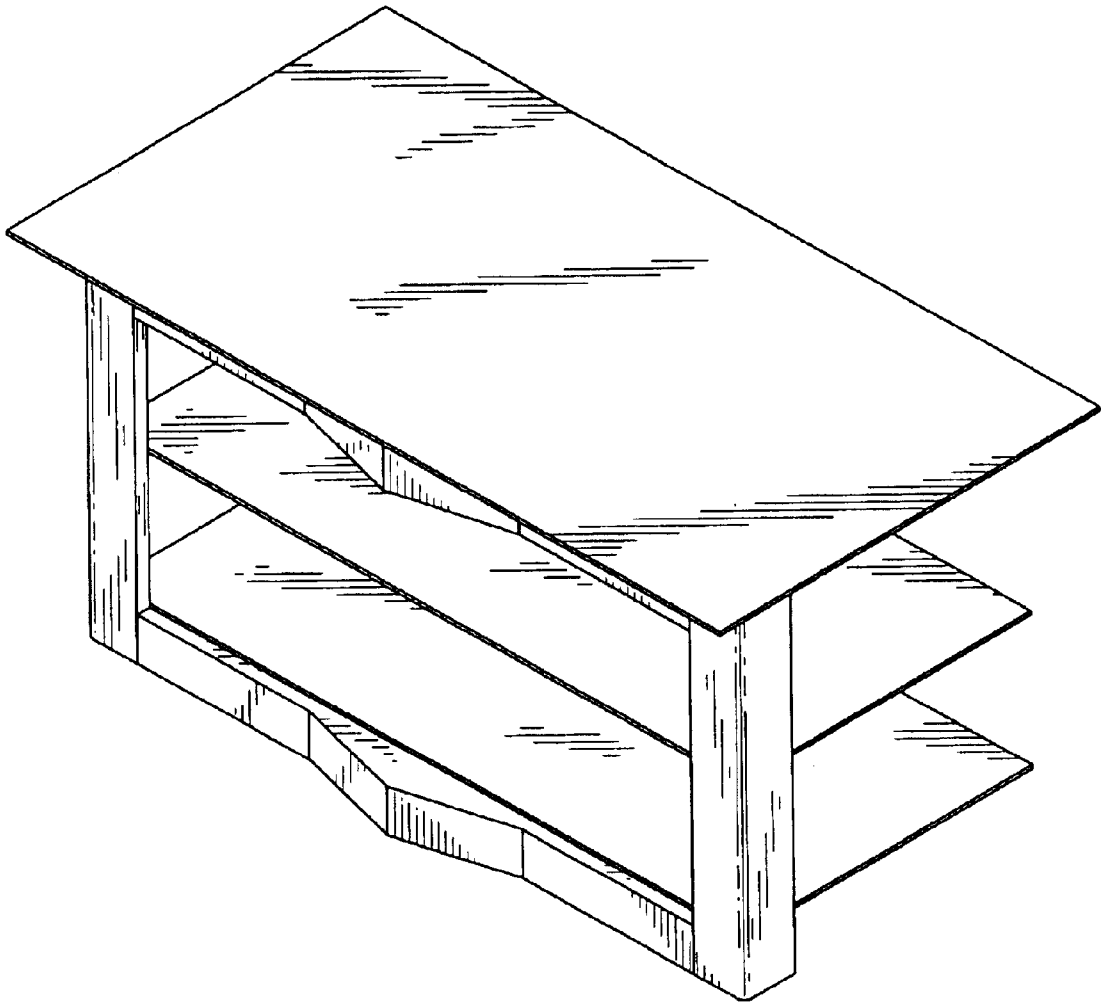


FIG. 7

