



US00D982347S

(12) **United States Design Patent**
Feng

(10) **Patent No.:** **US D982,347 S**

(45) **Date of Patent:** **** Apr. 4, 2023**

(54) **SOAP DISPENSER**

FOREIGN PATENT DOCUMENTS

(71) Applicant: **Shenzhen Great Power Innovation and Technology Enterprise Co., Ltd.**,
Guangdong (CN)

CN	306631910	*	6/2021
CN	307161600	*	3/2022
JP	D1691303	*	7/2021

(72) Inventor: **Qixiang Feng**, Guangdong (CN)

OTHER PUBLICATIONS

(73) Assignee: **Shenzhen Great Power Innovation and Technology Enterprise Co., Ltd.**

SoapBuds Hippo Pump Soap Dispenser, posted Apr. 13, 2022 [online], [retrieved Oct. 3, 2022]. Retrieved from internet, <https://www.amazon.com/SoapBuds-Hippo-Refillable-Pump-Dispenser/dp/B09XVP61LP?th=1> (Year: 2022).*

(**) Term: **15 Years**

Dinosaur Automatic Soap Dispenser, posted Apr. 25, 2022 [online], [retrieved Oct. 3, 2022]. Retrieved from internet, <https://www.amazon.com/dp/B09YS313C8?th=1> (Year: 2022).*

(21) Appl. No.: **29/812,831**

MagiDeal Dispenser Giraffe Automatic Soap Dispenser, posted unknown [online], [retrieved Oct. 3, 2022]. Retrieved from internet, <https://www.amazon.com/dp/B09KRBZZXP?th=1> (Year: 2022).*

(22) Filed: **Oct. 25, 2021**

* cited by examiner

(51) **LOC (14) Cl.** **23-08**

(52) **U.S. Cl.**

USPC **D6/542**

(58) **Field of Classification Search**

USPC D6/542-545

CPC A47K 5/1217; A47K 5/1207; A47K 5/12

See application file for complete search history.

Primary Examiner — Cynthia Ramirez
Assistant Examiner — Jeremy S. Swartz

(57) **CLAIM**

The ornamental design for a soap dispenser, as shown and described.

DESCRIPTION

(56) **References Cited**

U.S. PATENT DOCUMENTS

D483,208	S	*	12/2003	Tsang	D6/542
D486,335	S	*	2/2004	Sonneman	D6/542
D668,898	S	*	10/2012	Diamant	D6/542
D894,631	S	*	9/2020	Yang	D6/542
D897,721	S	*	10/2020	Jia	D6/542
D916,501	S	*	4/2021	Merrill	D6/542
D933,392	S	*	10/2021	Jia	D6/542
D937,606	S	*	12/2021	Chen	D6/542
D952,367	S	*	5/2022	Li	D6/542
D953,062	S	*	5/2022	Wang	D6/542
D959,171	S	*	8/2022	Lauritzen	D6/542

FIG. 1 is a front view of the soap dispenser showing my new design;

FIG. 2 is a back view thereof;

FIG. 3 is a left side view thereof;

FIG. 4 is a right side view thereof;

FIG. 5 is a top view thereof;

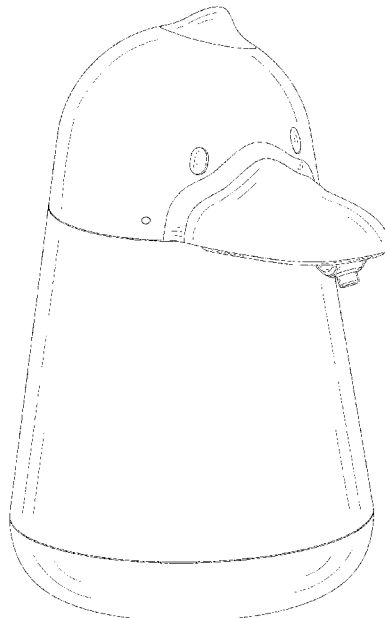
FIG. 6 is a bottom view thereof;

FIG. 7 is a perspective view thereof; and,

FIG. 8 is another perspective view thereof.

The broken lines in the figures show portions of the soap dispenser, which form no part of the claimed design.

1 Claim, 8 Drawing Sheets



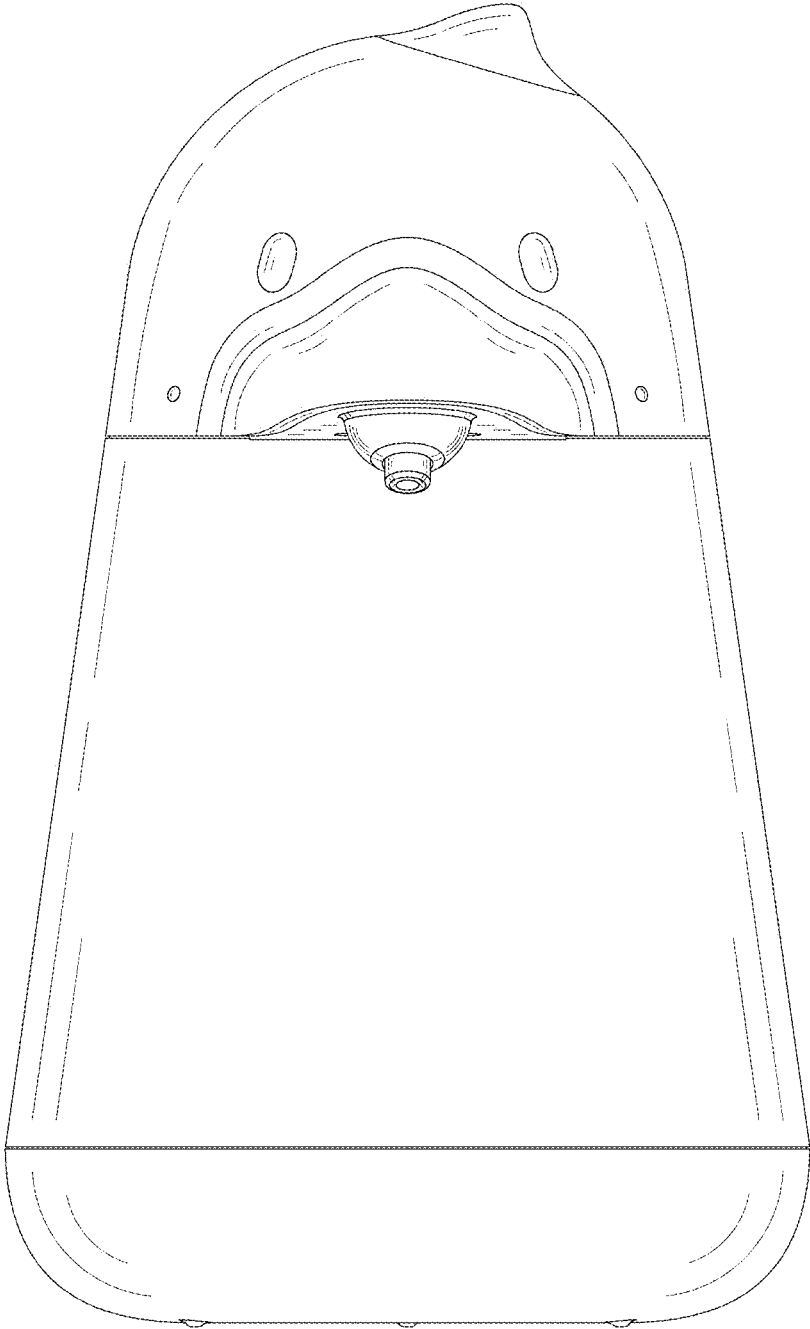


FIG. 1

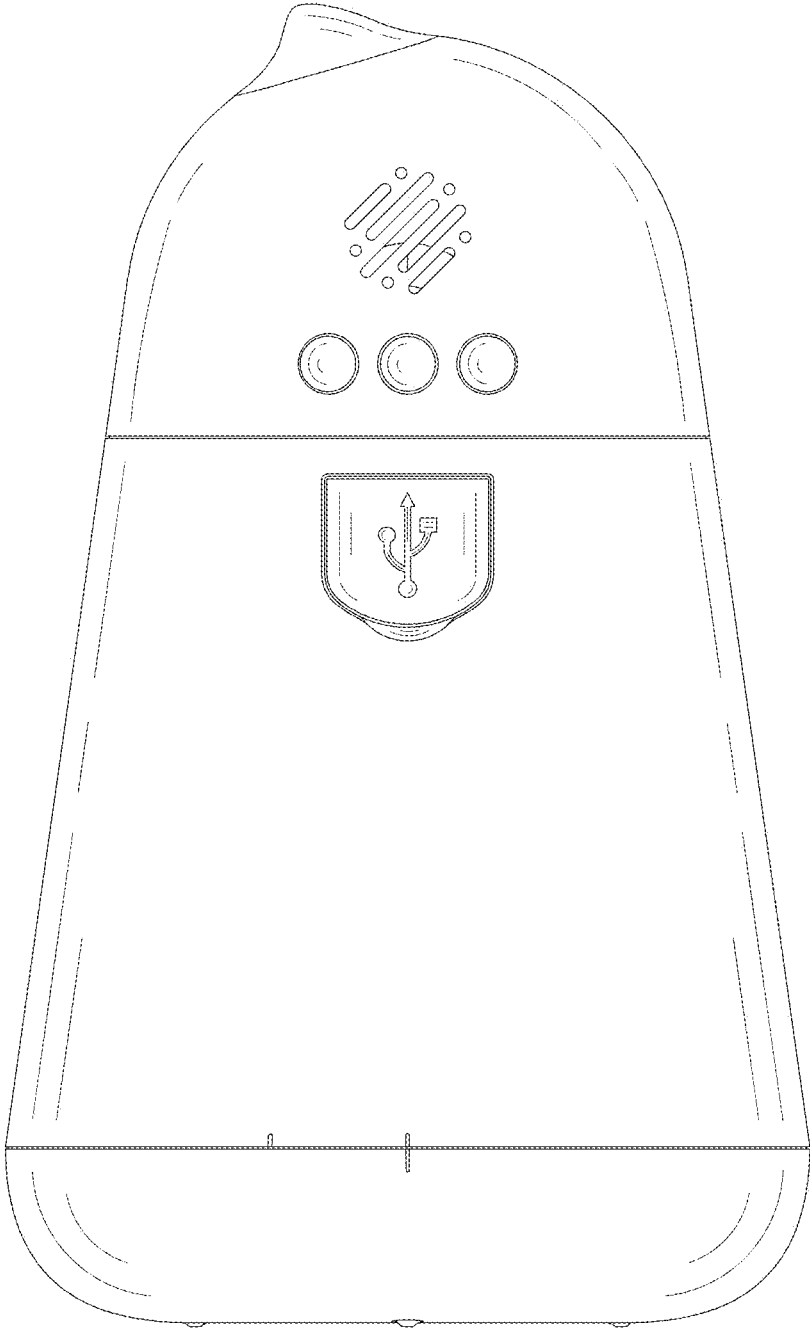


FIG. 2

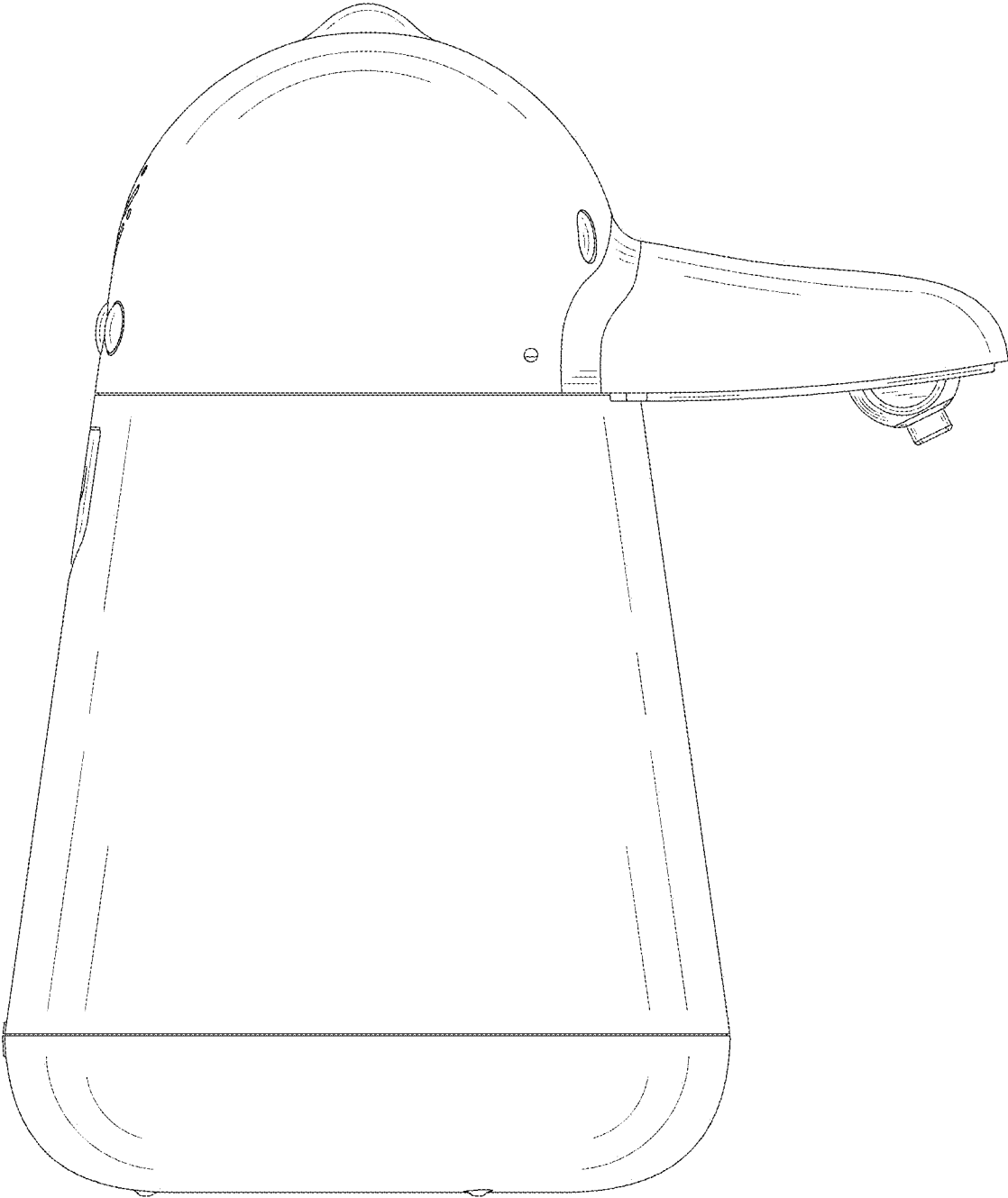


FIG. 3

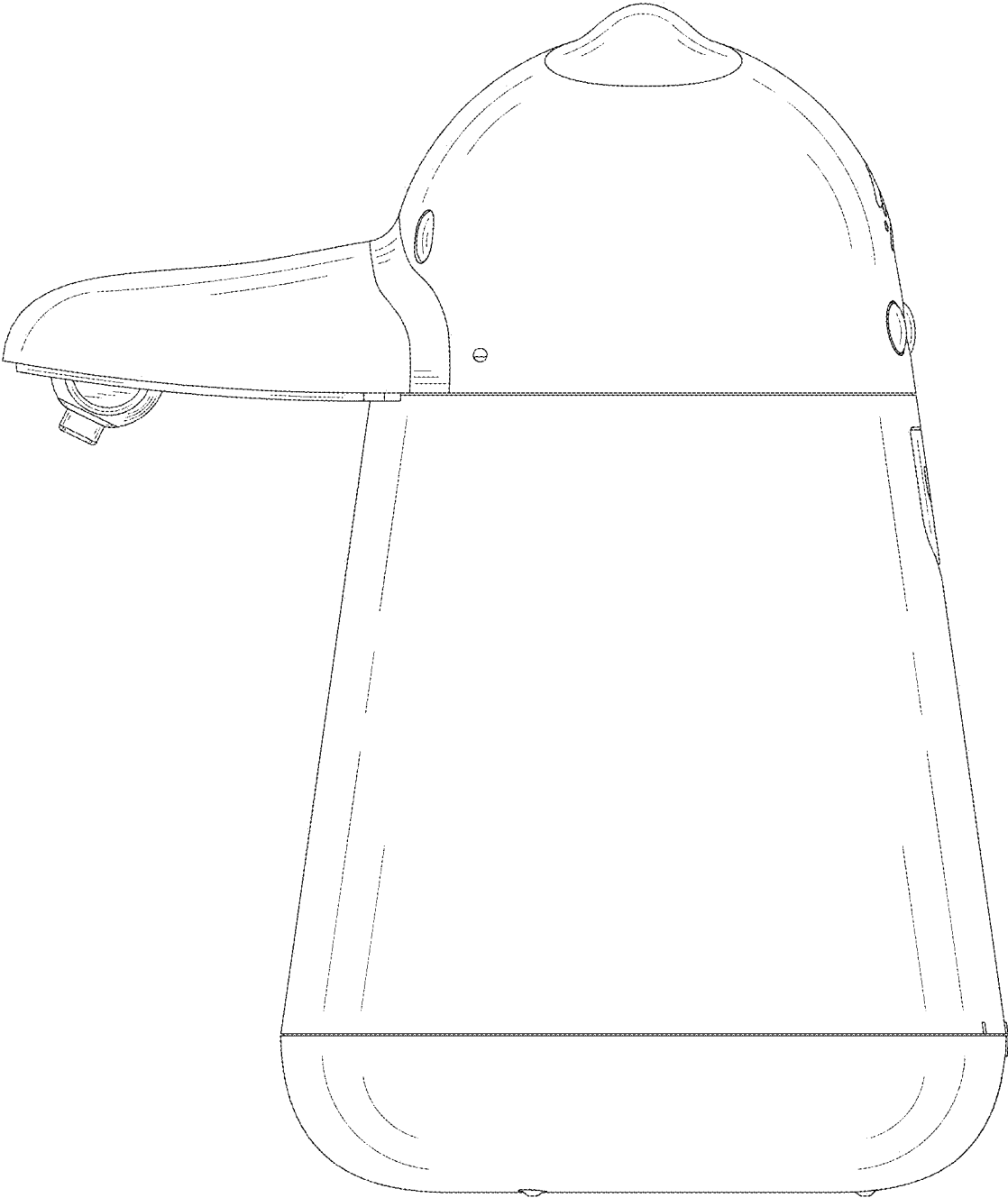


FIG. 4

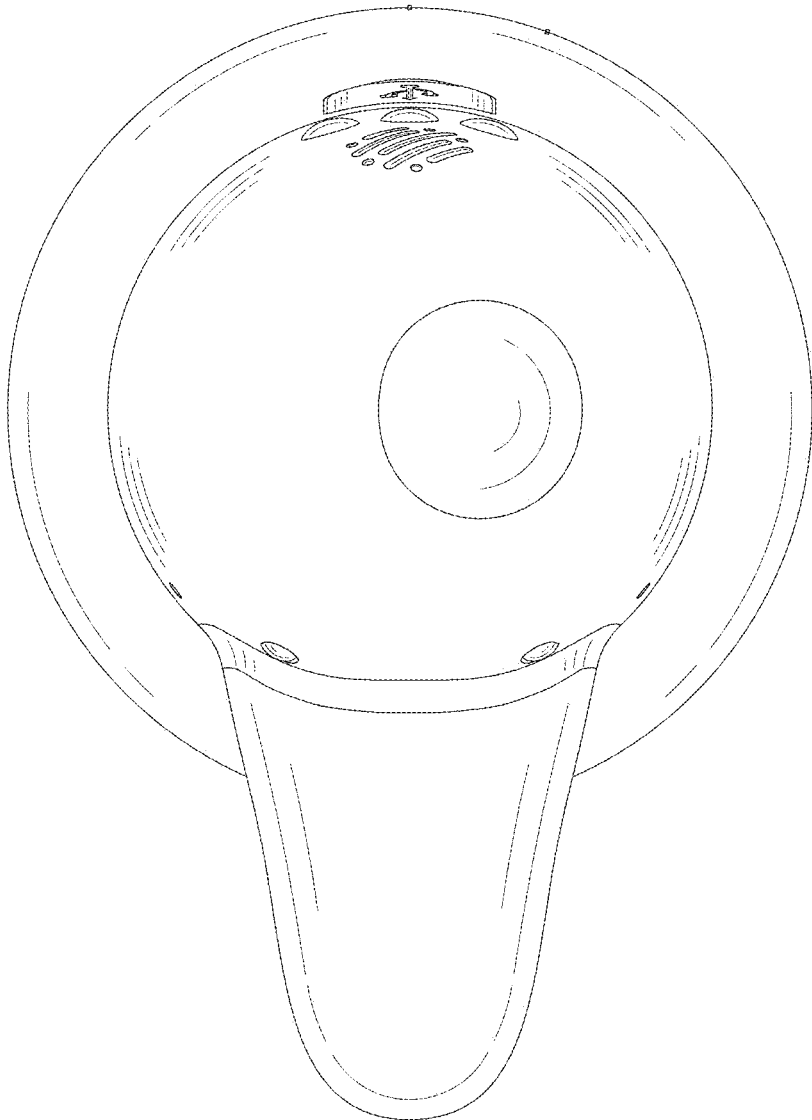


FIG. 5

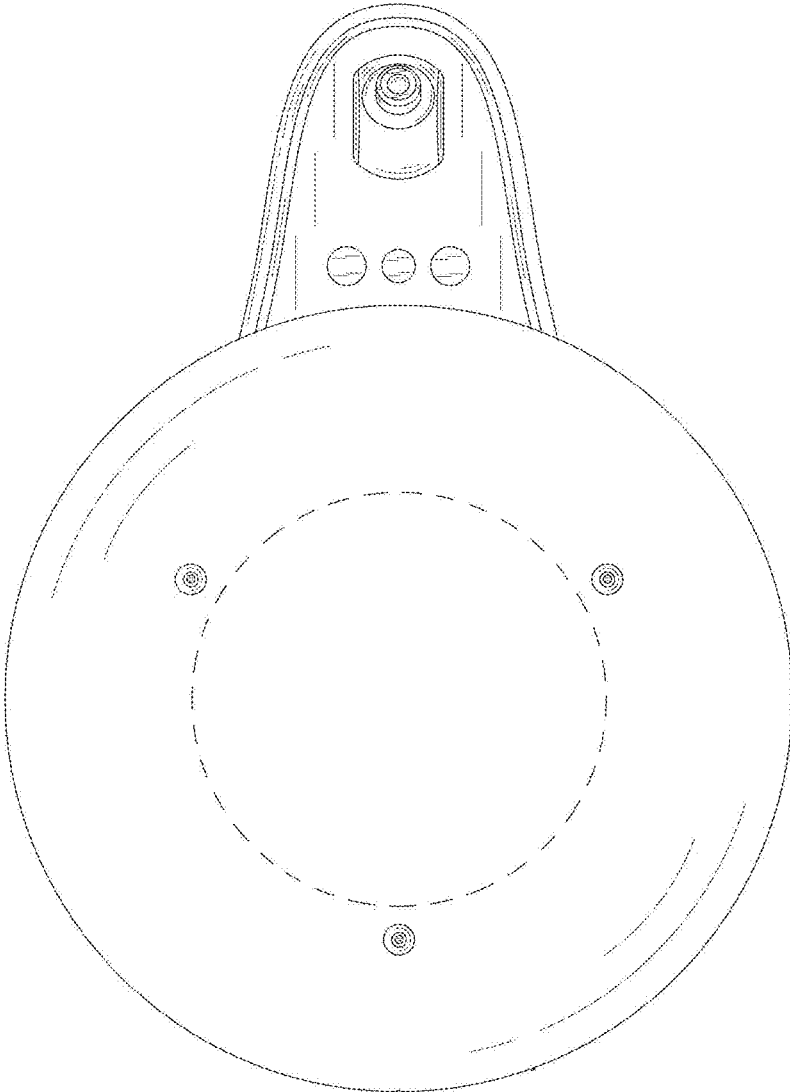


FIG. 6

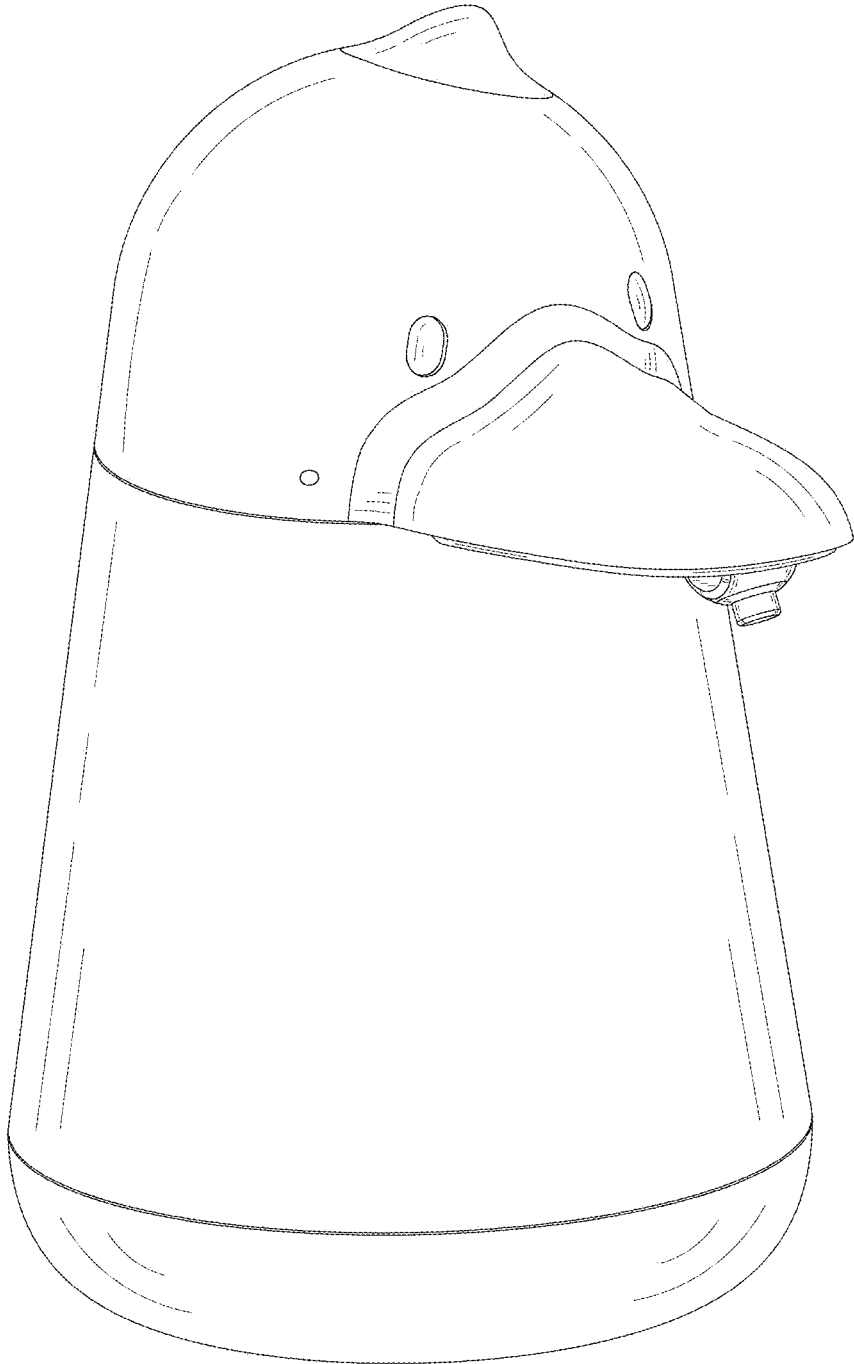


FIG. 7

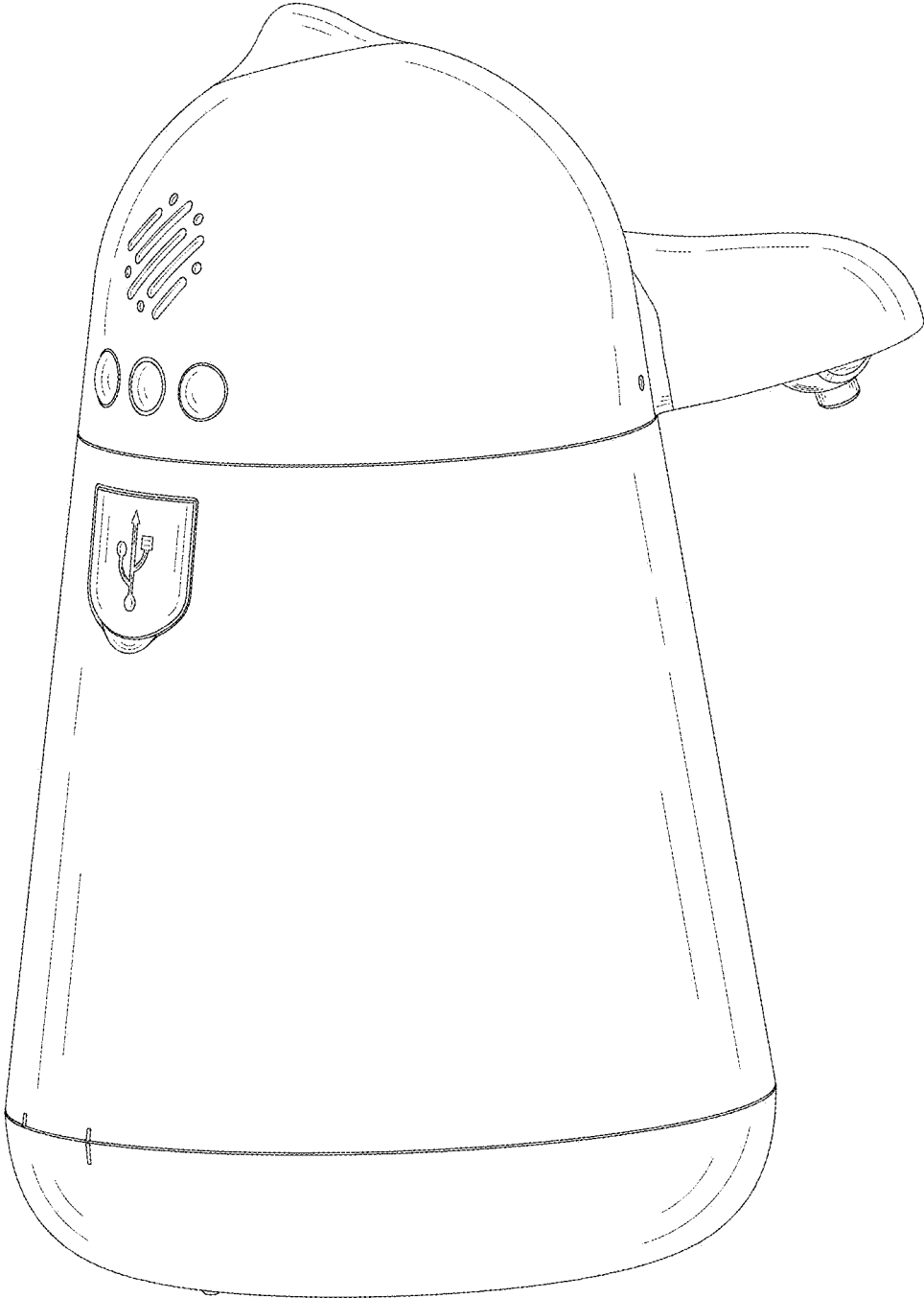


FIG. 8