



US00D963976S

(12) **United States Design Patent**
Fu

(10) **Patent No.:** **US D963,976 S**

(45) **Date of Patent:** **** Sep. 13, 2022**

(54) **HAND-HELD VACUUM CLEANER**

(71) Applicant: **Anming Fu**, Shenzhen (CN)

(72) Inventor: **Anming Fu**, Shenzhen (CN)

(**) Term: **15 Years**

(21) Appl. No.: **29/799,879**

(22) Filed: **Jul. 16, 2021**

(51) **LOC (13) Cl.** **15-05**

(52) **U.S. Cl.**
USPC **D32/18**

(58) **Field of Classification Search**
USPC D32/17, 18, 21, 23, 25, 31, 32, 33, 34
CPC A47L 11/24; A47L 11/33; A47L 11/32;
A47L 9/1666; A47L 9/1608; A47L 11/00;
A47L 11/38; A47L 5/24; Y10S 55/03
See application file for complete search history.

(56) **References Cited**

U.S. PATENT DOCUMENTS

| | | | | |
|--------------|---------|----------|-------|----------------------|
| D247,040 S * | 1/1978 | Goodman | | D32/24 |
| D287,419 S | 12/1986 | Ling | | |
| D303,856 S * | 10/1989 | Yuen | | D32/18 |
| D489,849 S | 5/2004 | Ki | | |
| D512,192 S * | 11/2005 | Shim | | D32/18 |
| D514,758 S * | 2/2006 | Lau | | D32/18 |
| D527,501 S * | 8/2006 | Tai | | D32/18 |
| D529,671 S * | 10/2006 | Yung | | D32/18 |
| D530,464 S * | 10/2006 | Tai | | D32/18 |
| D749,281 S * | 2/2016 | Jeon | | D32/18 |
| D773,130 S * | 11/2016 | Gray | | D32/18 |
| D785,260 S * | 4/2017 | Lin | | D32/31 |
| D790,782 S * | 6/2017 | Bruneel | | D32/18 |
| D803,492 S * | 11/2017 | Jang | | D32/18 |
| D807,598 S * | 1/2018 | Houghton | | D32/18 |
| D812,829 S * | 3/2018 | Shin | | D06F 87/00 D32/25 |
| D835,867 S * | 12/2018 | Jang | | D32/18 |
| D855,908 S * | 8/2019 | Tu | | D32/18 |
| D868,403 S | 11/2019 | Wang | | |

| | | | | |
|--------------|---------|------|-------|--------|
| D891,014 S * | 7/2020 | Chu | | D32/18 |
| D911,641 S * | 2/2021 | Hu | | D32/18 |
| D925,847 S * | 7/2021 | Xia | | D32/18 |
| D927,804 S * | 8/2021 | Song | | D32/18 |
| D932,121 S * | 9/2021 | Gray | | D32/18 |
| D937,514 S * | 11/2021 | Zou | | D32/18 |

(Continued)

FOREIGN PATENT DOCUMENTS

| | | | |
|----|-----------|---|---------|
| CN | 304881487 | * | 11/2018 |
| CN | 306285177 | * | 1/2021 |

OTHER PUBLICATIONS

Walmart.com Techvilla Handheld Vacuum <https://www.walmart.com/ip/Techvilla-Handheld-Vacuum-Cleaner-with-120W-6KPa-Strong-Suction-Cordless-for-Car-Home/489281438> (Year: 2022).*

(Continued)

Primary Examiner — Michelle E. Wilson
Assistant Examiner — Richard E Yenchesky
(74) *Attorney, Agent, or Firm* — Che-Yang Chen; Law Office of Michael Chen

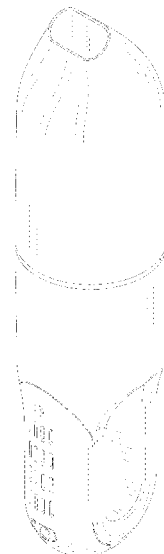
(57) **CLAIM**

The ornamental design for a hand-held vacuum cleaner, as shown and described.

DESCRIPTION

FIG. 1 is a perspective view of the hand-held vacuum cleaner showing my new design;
FIG. 2 is a front elevational view thereof;
FIG. 3 is a rear elevational view thereof;
FIG. 4 is a left side elevational view thereof;
FIG. 5 is a right side elevational view thereof;
FIG. 6 is a top plan view thereof;
FIG. 7 is a bottom plan view thereof; and
FIG. 8 is a partial enlarged view thereof pointed out in FIG. 7.

1 Claim, 8 Drawing Sheets



(56)

References Cited

U.S. PATENT DOCUMENTS

D945,094 S * 3/2022 Jeon D32/18
2022/0022772 A1 * 1/2022 Adams A61B 5/0816

OTHER PUBLICATIONS

Amazon.com handheld vacuum cordless https://www.amazon.com/Handheld-Cordless-Rechargeable-Lightweight-Attachments/dp/B0927SY3KR/ref=sr_1_21 (Year: 2021).*

* cited by examiner

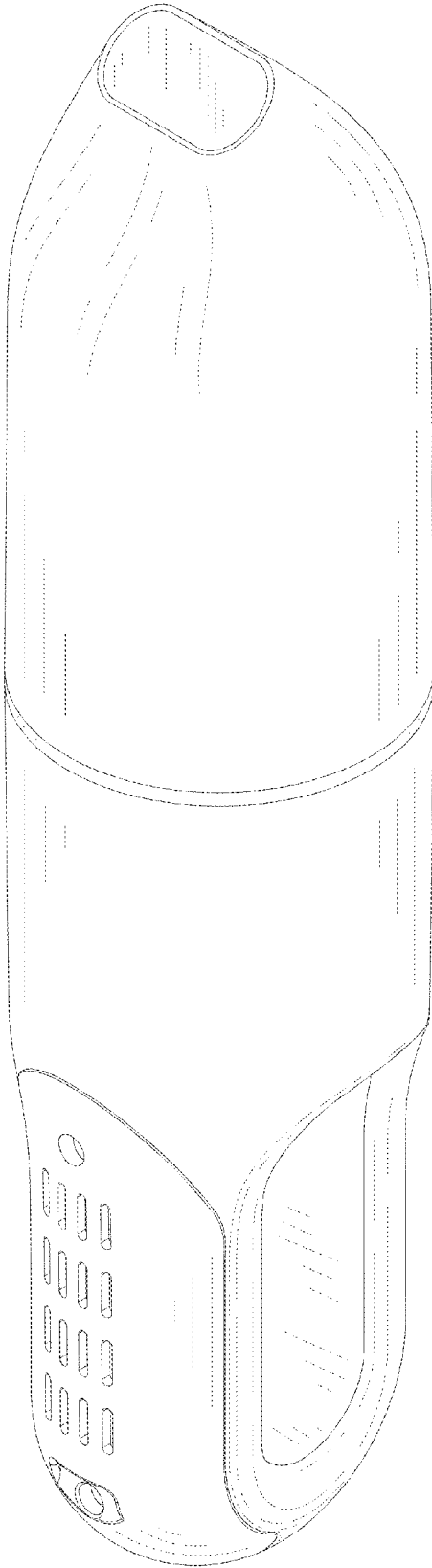


FIG.1

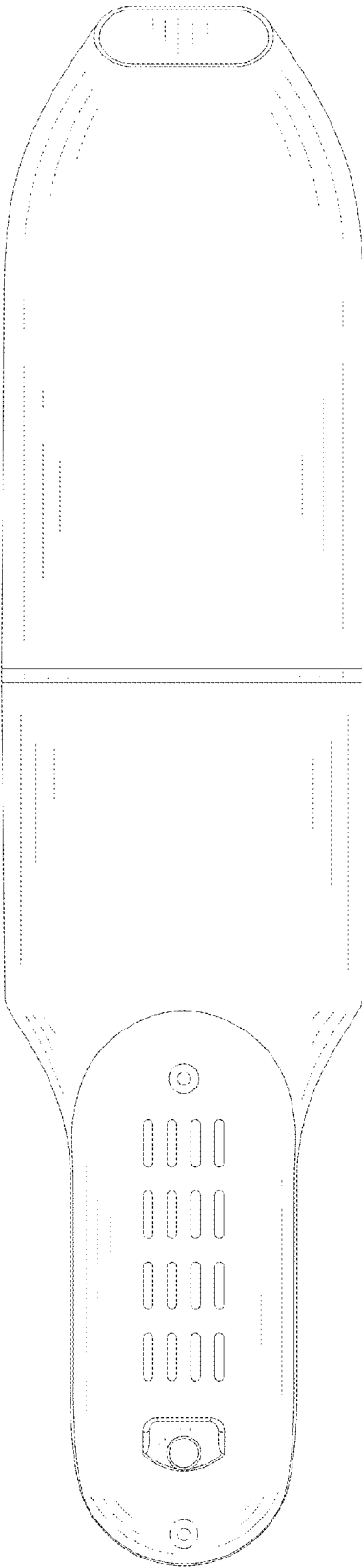


FIG. 2

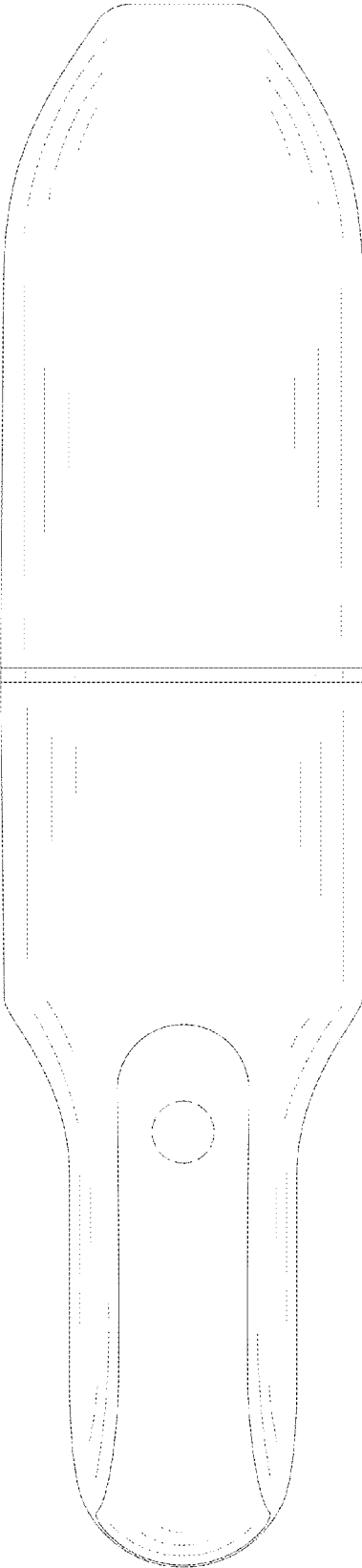


FIG.3

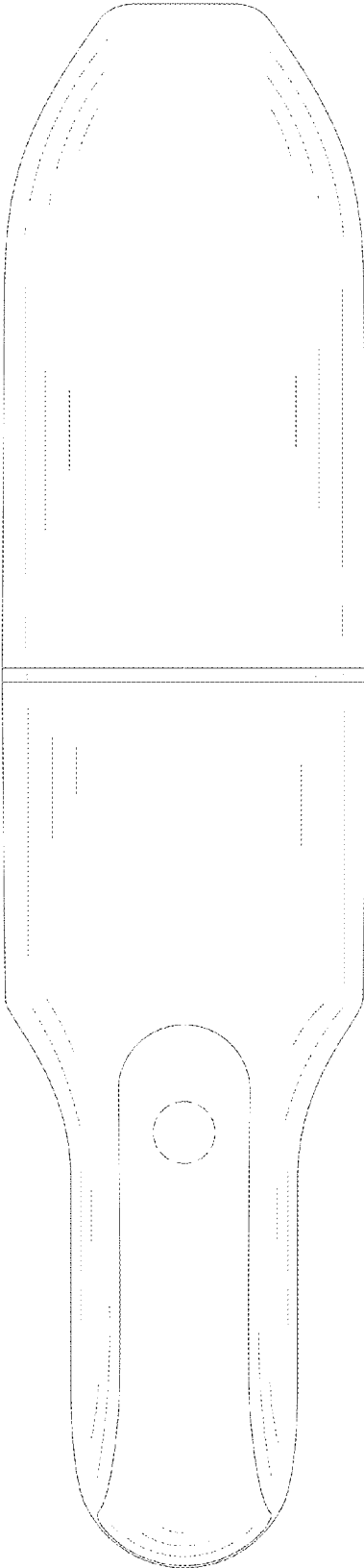


FIG. 4

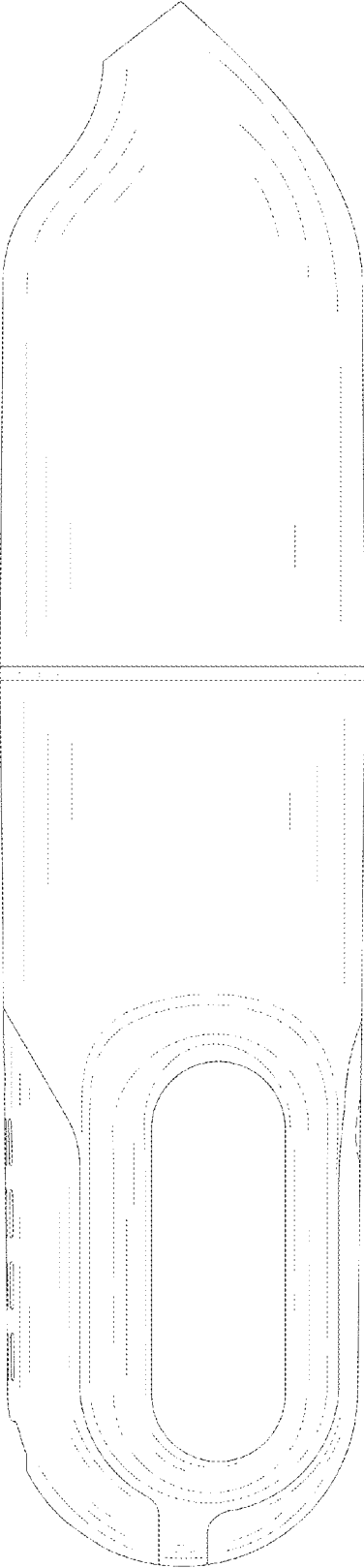


FIG. 5

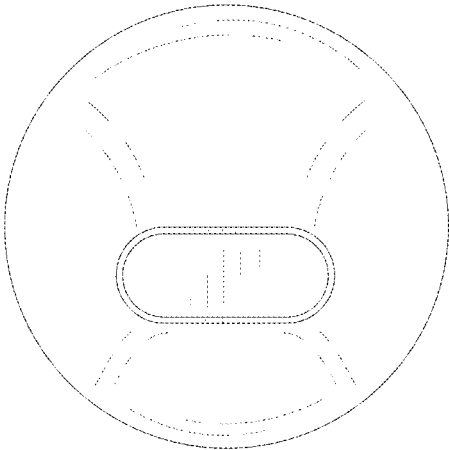


FIG.6

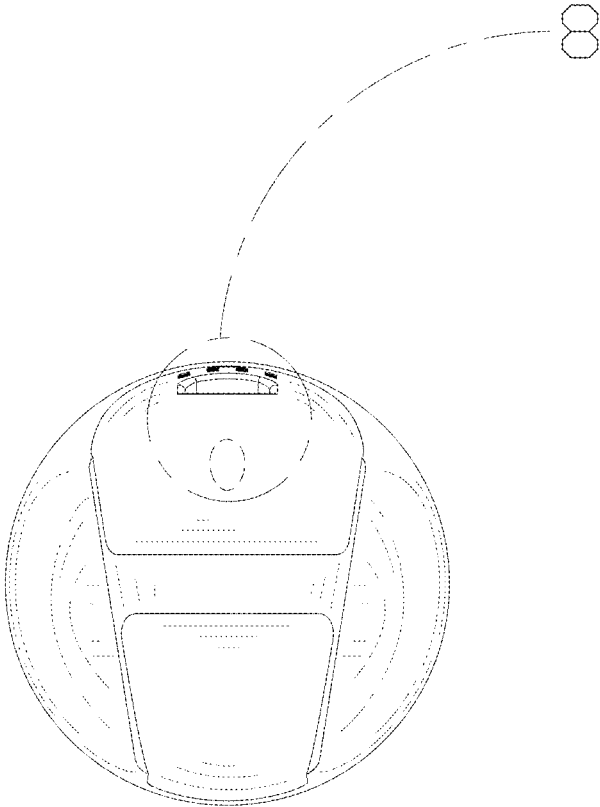


FIG. 7

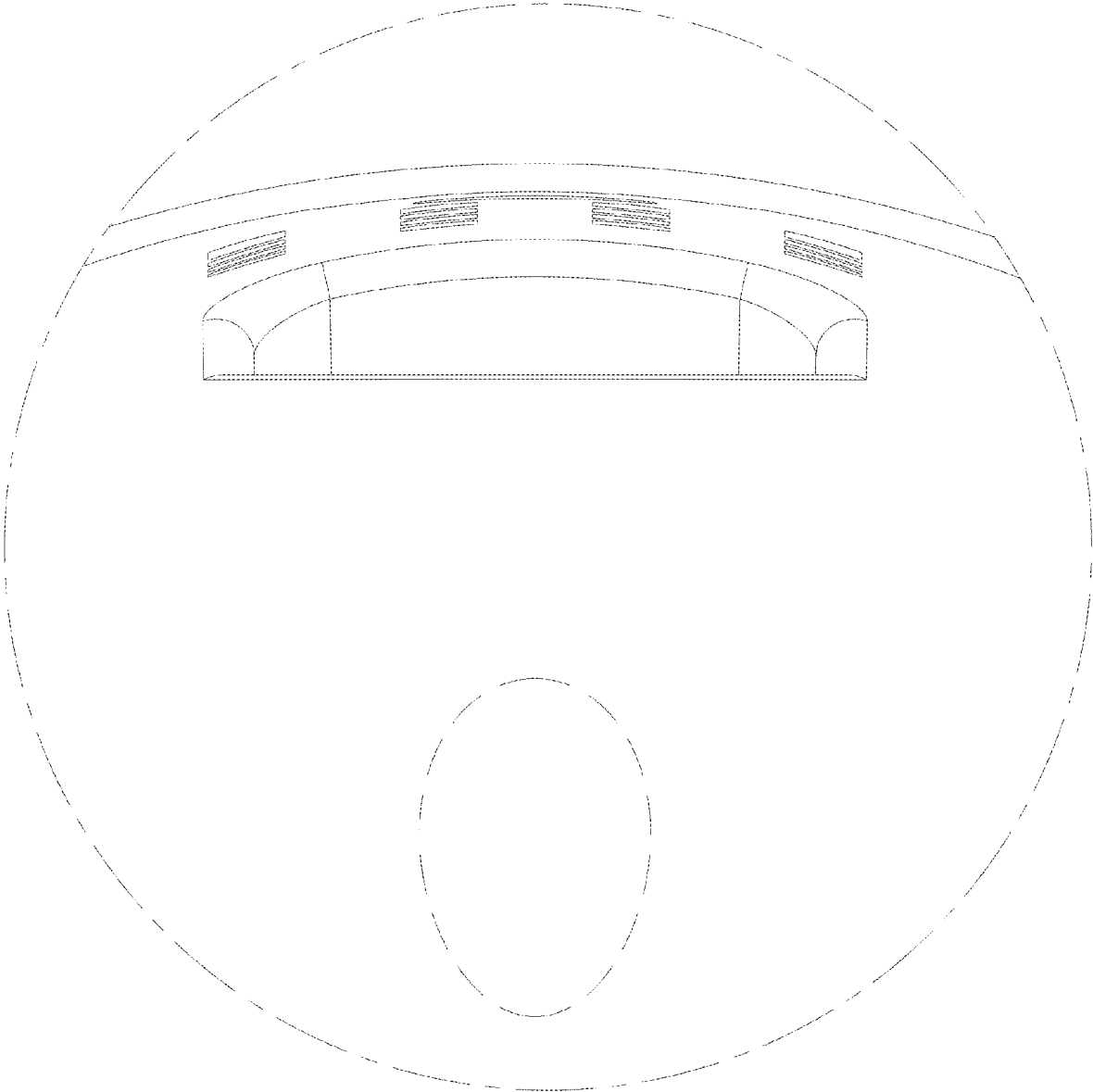


FIG. 8