



(12) **United States Design Patent**  
**Macdonald et al.**

(10) **Patent No.:** **US D831,465 S**  
(45) **Date of Patent:** **\*\* Oct. 23, 2018**

(54) **BOX PANEL STIFFENER FOR WALL PANEL SYSTEM**

3/00; E04C 3/005; E04C 3/02; E04C 3/04; E04C 3/12; E04C 3/20; E04C 3/28; E04C 3/30

(71) Applicant: **EXTERIOR WALL SYSTEMS LIMITED ONTARIO PANELIZATION**, London (CA)

See application file for complete search history.

(72) Inventors: **Robert B. Macdonald**, London (CA);  
**Philip A. Macdonald**, London (CA);  
**Alexander K. Williams**, London (CA);  
**Jonathan W. Hoy**, London (CA)

(56) **References Cited**

U.S. PATENT DOCUMENTS

4,439,960 A 4/1984 Jenkins  
4,999,960 A 3/1991 Herwegh et al.  
D317,513 S \* 6/1991 Miller ..... D13/155

(Continued)

(73) Assignee: **Exterior Wall Systems Limited (Ontario Panelization)**, London, Ontario

OTHER PUBLICATIONS

Screen shots taken from www.keithpanel.com (Keith Panel Systems), accessed Mar. 6, 2017.

(Continued)

(\*\*) Term: **15 Years**

*Primary Examiner* — Jennifer Rivard  
*Assistant Examiner* — Alison M Ofstun

(21) Appl. No.: **29/592,529**

(74) *Attorney, Agent, or Firm* — Peter L. Brewer; Thrive IP

(22) Filed: **Jan. 31, 2017**

(51) **LOC (11) Cl.** ..... **08-08**

(52) **U.S. Cl.**  
USPC ..... **D8/349; D25/124**

(58) **Field of Classification Search**  
USPC ..... D8/349, 354, 382, 383, 384, 403;  
D25/113, 114, 119, 120–125, 131, 136,  
D25/199; D21/484, 486, 500, 501, 839,  
D21/468, 470, 471, 478, 479; D3/10

CPC ... E04F 13/0826; E04F 13/12; E04F 13/0889;  
E04F 13/08; E04F 19/02; E04F 19/022;  
E04F 19/026; E04F 19/028; E04F 19/04;  
E04F 19/0436; E04F 19/0481; E04F  
19/0486; E04F 19/06; E04F 19/061;  
E04H 1/00; E06B 1/00; E06B 1/006;  
E06B 1/02; E06B 1/04; E06B 1/045;  
E06B 1/12; E06B 1/16; E06B 1/34; E06B  
1/342; E06B 1/345; E06B 1/347; E06B  
1/36; E06B 1/363; E06B 1/366; E06B  
1/38; E06B 1/40; E06B 1/52; E06B  
1/522; E06B 1/524; E06B 1/526; E06B  
1/528; E06B 1/56; E06B 1/60; E06B  
1/6092; E06B 1/62; E06B 1/70; E06B  
1/702; E06B 1/705; E06B 1/707; E04C

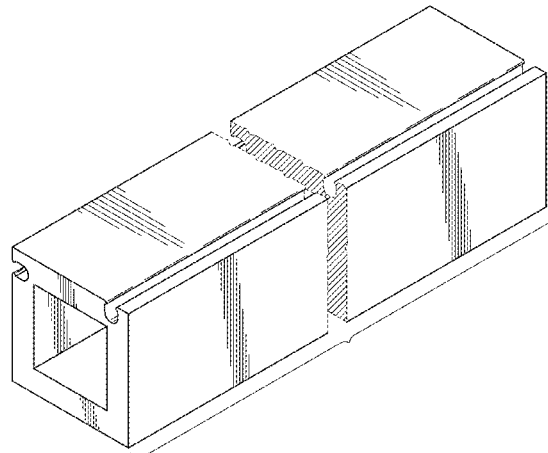
(57) **CLAIM**

We claim the ornamental design for a box panel stiffener for wall panel system, as shown and described.

**DESCRIPTION**

FIG. 1 is a perspective view of a box panel stiffener for wall panel system, showing our new design;  
FIG. 2 is a front elevation view thereof.  
FIG. 3 is a rear elevation view thereof.  
FIG. 4 is a left side elevation view thereof.  
FIG. 5 is a right side elevation view thereof.  
FIG. 6 is a top plan view thereof; and,  
FIG. 7 is a bottom plan view thereof.  
The article is shown with a symbolic break in its length. The appearance of any portion of the article between the break lines forms no part of the claimed design.

**1 Claim, 3 Drawing Sheets**



(56)

References Cited

U.S. PATENT DOCUMENTS

5,067,293	A	11/1991	Reynolds						
5,094,051	A *	3/1992	Miller .....	E04F 13/0812					
					52/235				
5,220,759	A	6/1993	Hossli						
5,226,274	A	7/1993	Sommerstein						
5,239,798	A	8/1993	Saito						
5,263,292	A	11/1993	Holland et al.						
5,301,484	A	4/1994	Jansson						
5,379,561	A	1/1995	Saito						
D360,267	S	7/1995	DiGiorgio						
5,522,193	A	6/1996	Sommerstein et al.						
D373,200	S	8/1996	Colitto						
D379,242	S	5/1997	Lin						
D388,887	S	1/1998	Hersh et al.						
D397,452	S *	8/1998	Franson .....	D25/124					
D400,080	S	10/1998	Beard, Jr.						
D405,197	S	2/1999	Arcati et al.						
D417,737	S	12/1999	Stansfield						
D423,910	S	5/2000	Cyrell						
6,065,259	A	5/2000	Clear						
D429,347	S	8/2000	Doyle et al.						
D432,675	S *	10/2000	Grosfillex .....	D25/124					
D437,945	S *	2/2001	Mast .....	D25/199					
D457,052	S *	5/2002	Snyder .....	D8/349					
D461,014	S	7/2002	Marshall						
6,427,408	B1	8/2002	Krieger						
6,484,465	B2	11/2002	Higgins						
6,748,709	B1	6/2004	Sherman et al.						
D496,248	S	9/2004	Liebendorfer						
D501,936	S	2/2005	Kim						
D541,955	S *	5/2007	Simko .....	D25/125					
D561,353	S *	2/2008	Antonic .....	D25/122					
D619,447	S	7/2010	Liu						
D619,880	S	7/2010	MacDonald et al.						
D626,663	S	11/2010	Stephens						
8,166,716	B2	5/2012	Macdonald et al.						
D662,805	S	7/2012	Macdonald et al.						
D666,321	S	8/2012	Morton						
D666,328	S *	8/2012	Morton .....	D25/122					
D666,329	S *	8/2012	Morton .....	D25/122					
D675,046	S	1/2013	Kloppers						
D692,592	S	10/2013	Kosonen						
8,595,996	B2	12/2013	Korman et al.						
8,745,941	B2	6/2014	Macdonald et al.						
D718,888	S	12/2014	Schwarz et al.						
D731,677	S	6/2015	Bernier						
D732,207	S *	6/2015	Campbell .....	D25/124					
9,068,358	B2	6/2015	Macdonald et al.						
D736,958	S	8/2015	Chaney et al.						
D744,667	S	12/2015	Macdonald et al.						
D745,192	S	12/2015	Suciu et al.						
D760,403	S	6/2016	Bilge						
D767,786	S	9/2016	Smith						
D775,373	S *	12/2016	Veerawamy .....	D25/124					
D777,948	S *	1/2017	Veerawamy .....	D25/119					
D778,465	S	2/2017	Zombek						
D809,704	S *	2/2018	Klus .....	D26/142					
D815,308	S *	4/2018	Schuit .....	D25/124					
2007/0119105	A1	5/2007	MacDonald et al.						
2015/0300027	A1 *	10/2015	Day .....	E04F 13/0862					52/489.1

OTHER PUBLICATIONS

Screen shots taken from [www.dri-design.com](http://www.dri-design.com) (Dri-Design Wall Panel System), accessed Mar. 6, 2017.

Screen shots taken from [www.elward.com](http://www.elward.com) (Elward Systems Corporation), accessed Mar. 6, 2017.

\* cited by examiner

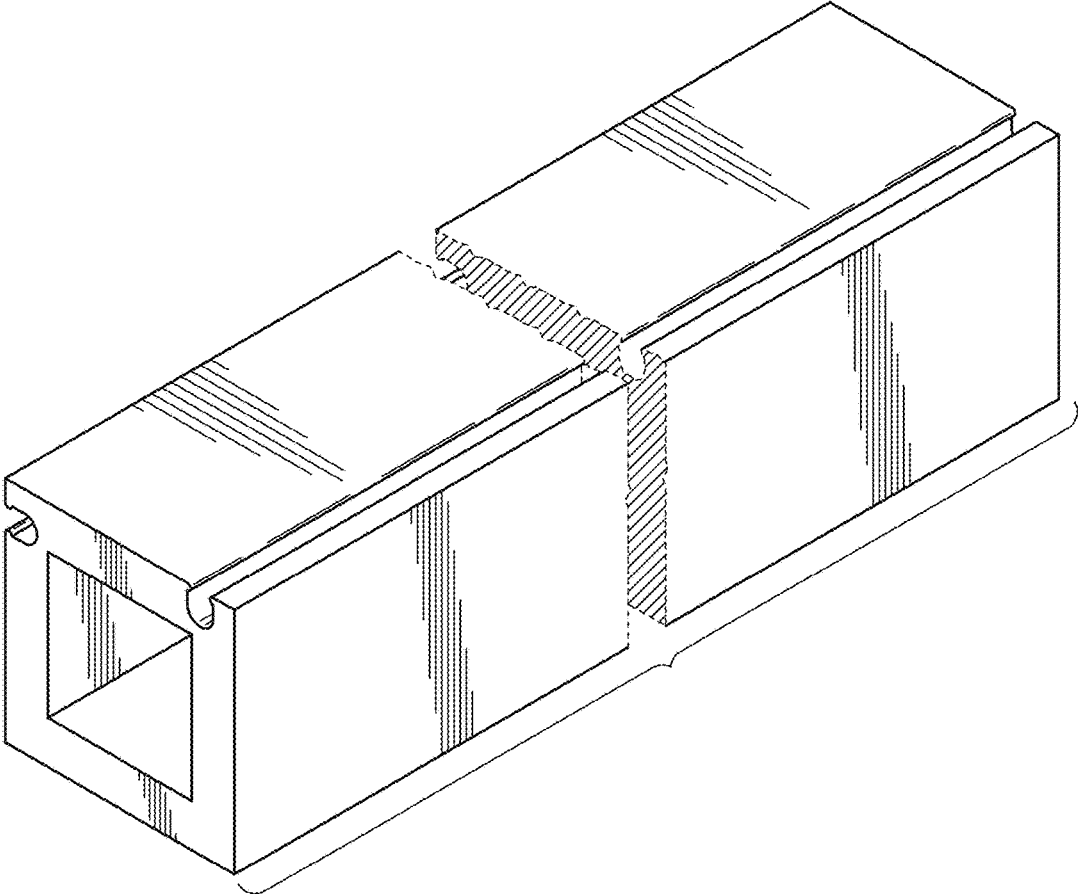


FIG. 1

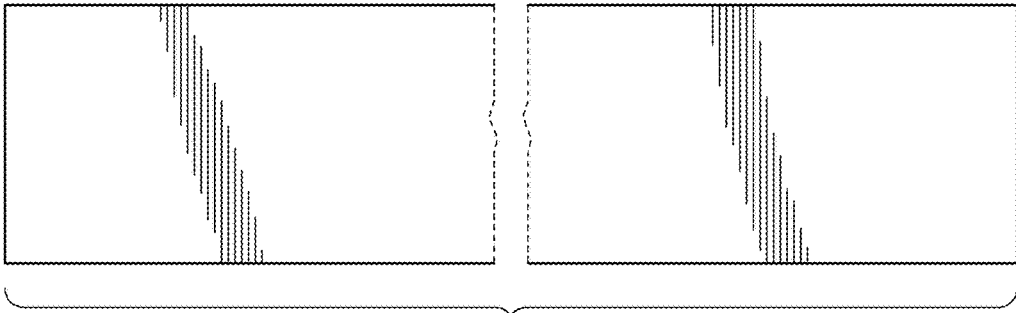


FIG. 2

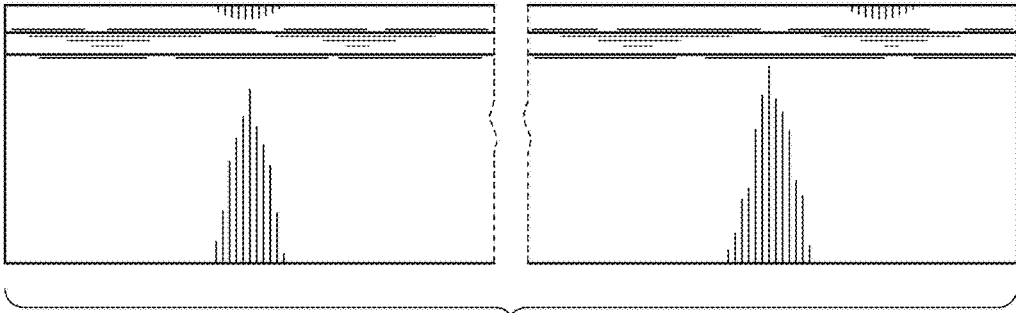


FIG. 3

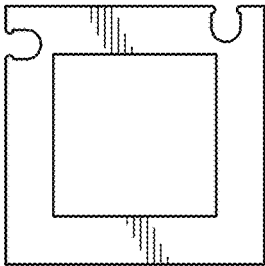


FIG. 4

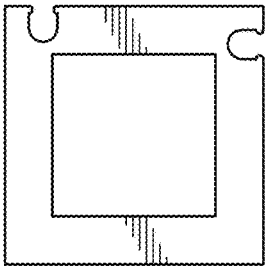


FIG. 5

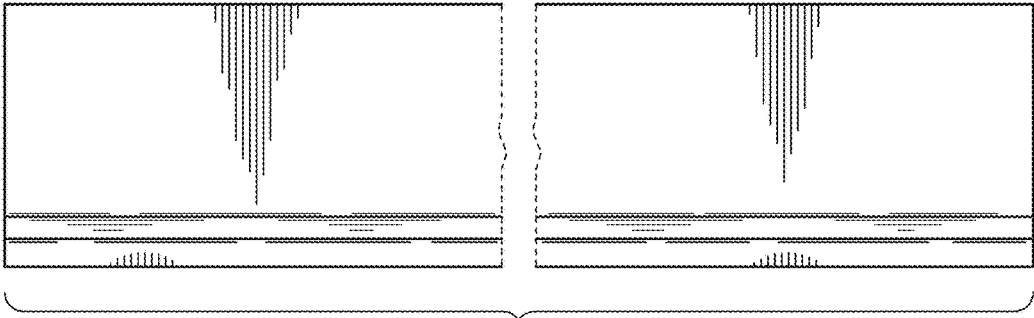


FIG. 6

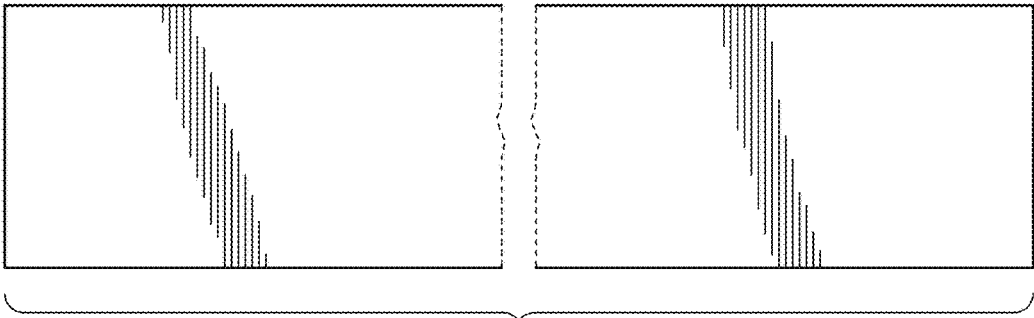


FIG. 7