



US00D836975S

(12) **United States Design Patent**
Leakey

(10) **Patent No.:** **US D836,975 S**

(45) **Date of Patent:** **** Jan. 1, 2019**

(54) **LONG HANDLED OUTDOOR CAMPING SPATULA**

(71) Applicant: **Chad Leakey**, Knightstown, IN (US)

(72) Inventor: **Chad Leakey**, Knightstown, IN (US)

(**) Term: **15 Years**

(21) Appl. No.: **29/618,225**

(22) Filed: **Sep. 20, 2017**

(51) **LOC (11) Cl.** **07-02**

(52) **U.S. Cl.**
USPC **D7/395**

(58) **Field of Classification Search**
USPC D7/354-358, 359-361, 391, 393, 401.2,
D7/402, 642, 664, 688-694; D8/107,
D8/300, 307; D4/138
CPC A47J 45/06; A47J 45/061; A47J 45/62;
A47J 45/08; A47J 45/085; B65D
25/2802; B65D 25/2882; B65D 25/2885;
B65D 25/2888; B65D 25/2894; Y10S
220/912

See application file for complete search history.

(56) **References Cited**

U.S. PATENT DOCUMENTS

D350,050 S *	8/1994	Klunder	D7/686
D427,858 S *	7/2000	Zemel	D7/692
D452,996 S *	1/2002	Prince	D7/395
D504,797 S *	5/2005	Lu	D7/395
D650,219 S *	12/2011	Lu	D7/401.2

D663,159 S *	7/2012	Zemel	D7/395
D690,153 S *	9/2013	Zemel	D7/395
D693,641 S *	11/2013	Slaker	D7/395
D702,996 S *	4/2014	Zemel	D7/395
D737,094 S *	8/2015	Hundley	D7/395
D777,509 S *	1/2017	Lee	D7/395
D778,107 S *	2/2017	Keating	D7/395
D784,073 S *	4/2017	Keating	D7/395

* cited by examiner

Primary Examiner — Cynthia M. Chin

(74) *Attorney, Agent, or Firm* — Ritchison Law Offices.
PC; John D Ritchison

(57) **CLAIM**

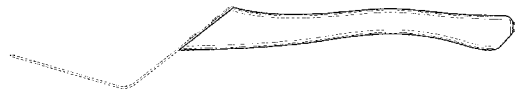
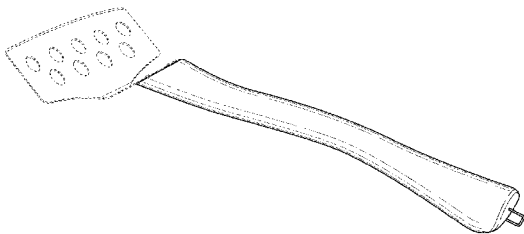
I claim the ornamental design for a long handled outdoor camping spatula, as shown and described.

DESCRIPTION

FIG. 1 is a perspective view of a long handled outdoor camping spatula showing my new design;
FIG. 2 is an end view thereof;
FIG. 3 is an opposite end view thereof;
FIG. 4 is a side view thereof;
FIG. 5 is an opposite side view thereof;
FIG. 6 is a top plan view thereof; and,
FIG. 7 is a bottom view thereof.

The broken lines showing the spatula flat are included for the purpose of illustrating portions of the spatula which form no part of the claimed design.

1 Claim, 7 Drawing Sheets



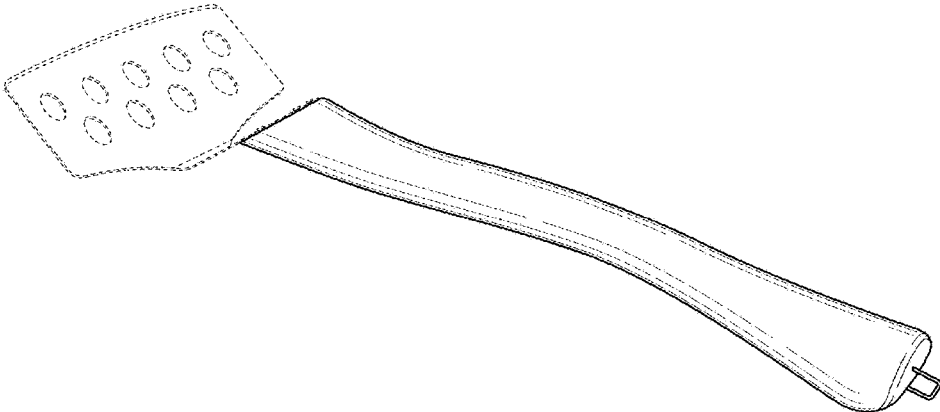


FIG. 1

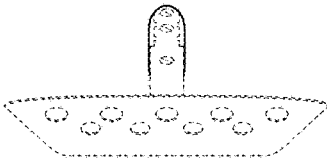


FIG. 2

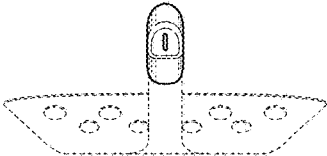


FIG. 3

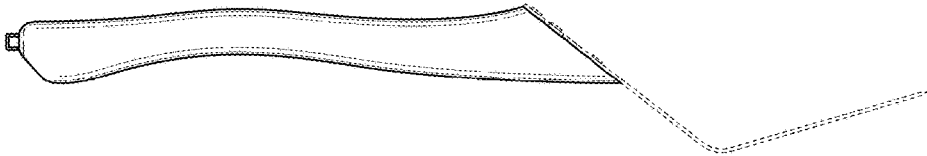


FIG. 4

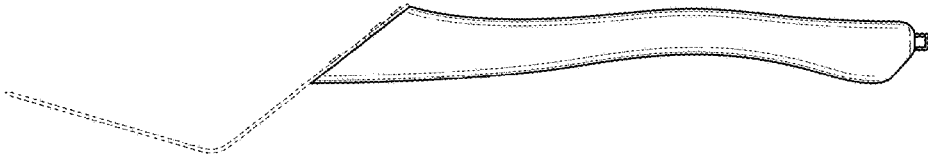


FIG. 5

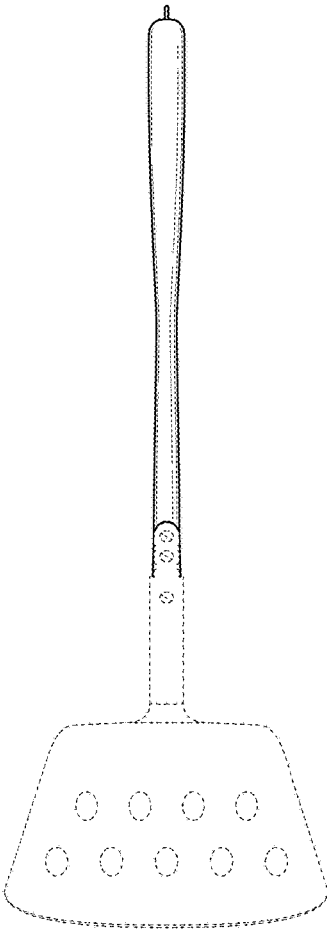


FIG. 6

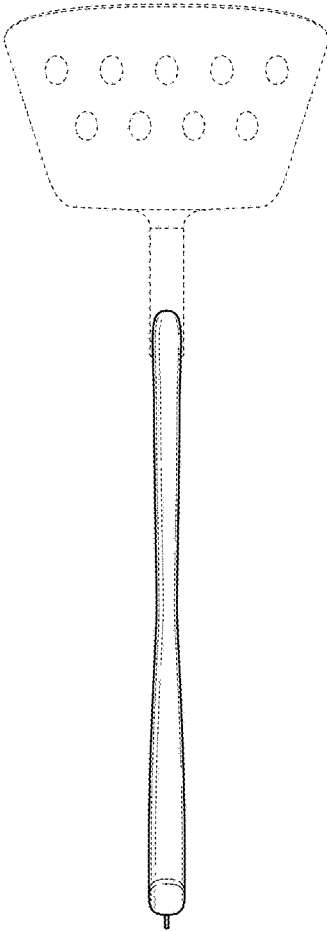


FIG. 7