



US00D934667S

(12) **United States Design Patent**
Oggier, III et al.

(10) **Patent No.:** **US D934,667 S**

(45) **Date of Patent:** **** Nov. 2, 2021**

- (54) **FEMALE CONNECTOR**
- (71) Applicant: **Atomic Design, Inc.**, Lititz, PA (US)
- (72) Inventors: **Josef W. Oggier, III**, Manheim, PA (US); **Nicolas Artale**, Lancaster, PA (US)
- (73) Assignee: **Atomic Design Inc.**, Lititz, PA (US)
- (**) Term: **15 Years**
- (21) Appl. No.: **29/707,016**

D807,260 S * 1/2018 Young D12/180
 D807,727 S * 1/2018 Krombein D8/354
 D808,248 S * 1/2018 Krombein D8/354
 (Continued)

- (22) Filed: **Sep. 25, 2019**
- (51) **LOC (13) Cl.** **08-08**
- (52) **U.S. Cl.**
USPC **D8/382**
- (58) **Field of Classification Search**
USPC D8/382-383, 349, 393, 396-397, 399, D8/387; D11/79-80, 89, 93, 132
CPC A47G 1/06; A47G 1/065; A47G 1/0605; A47G 1/0633; A47G 1/0638; A47G 1/0644; A47G 1/08; A47G 1/10; A47G 1/14; A47G 1/141; A47G 1/142; A47G 1/16; A47G 1/1606; A47G 1/1613; A47G 2001/0661; A47G 2001/0672; A47G 2001/0688; A47G 2001/148; G09F 1/12
See application file for complete search history.

OTHER PUBLICATIONS

Merriway BH06020 Flat, Date Visited: Jun. 17, 2021, Amazon, Date Available: Aug. 10, 2017, <https://www.amazon.co.uk/Hardware-BH06020-Furniture-Cabinet-Locking/dp/B074Q2P394/> (Year: 2017).*
 (Continued)

Primary Examiner — Susan Bennett Hattan
Assistant Examiner — Elizabeth S Ko
 (74) *Attorney, Agent, or Firm* — Barley Snyder

(57) **CLAIM**
 A female connector design, as shown and described.

DESCRIPTION

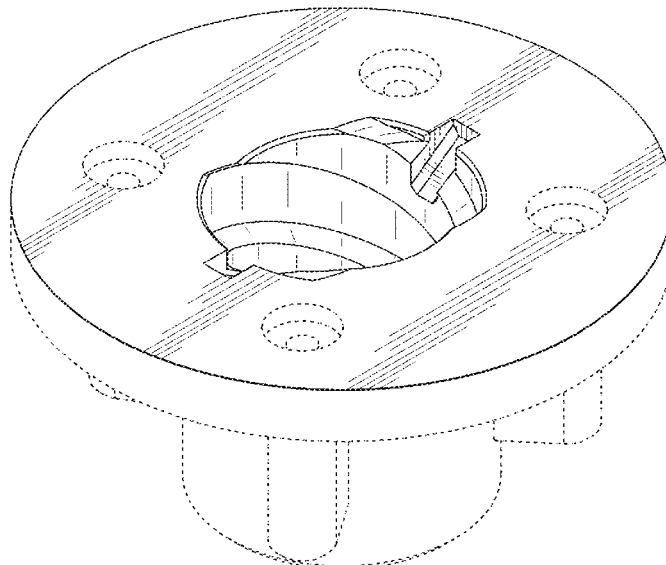
FIG. 1 is a front, right, top perspective view of a female connector, showing the new design;
 FIG. 2 is a front, left, top perspective view thereof;
 FIG. 3 is a top plan view thereof;
 FIG. 4 is a front elevation view thereof, the back elevation view being identical;
 FIG. 5 is a bottom plan view thereof;
 FIG. 6 is a left side elevation view thereof, the right side elevation being identical;
 FIG. 7 is another front, right, top perspective view of the female connector;
 FIG. 8 is a front, right, bottom perspective view of the female connector;
 FIG. 9 is a cross sectional view of the female connector of FIG. 7; and,
 FIG. 10 is a cross sectional view of the female connector of FIG. 7.

The broken lines shown in the Figures are included to show unclaimed subject matter only and form no part of the claimed design.

1 Claim, 6 Drawing Sheets

(56) **References Cited**
U.S. PATENT DOCUMENTS

D272,718 S *	2/1984	Knudson	D8/382
D282,818 S *	3/1986	Bos	D8/382
D531,888 S *	11/2006	Barnes	D8/382
D721,266 S *	1/2015	Sun	D8/382
D734,138 S *	7/2015	Hurrle	D8/387
D742,214 S *	11/2015	Yuan	D8/399
D805,884 S *	12/2017	Evitt	D8/382
D805,885 S *	12/2017	Karmarkar	D8/382



(56)

References Cited

U.S. PATENT DOCUMENTS

D812,725	S	*	3/2018	Sato	D23/262
D814,267	S	*	4/2018	Verbowski	D8/354
D815,516	S	*	4/2018	Karmarkar	D8/382
D821,859	S	*	7/2018	Artino	D8/387
D874,256	S	*	2/2020	Cheng	D8/399
D874,257	S	*	2/2020	Cheng	D8/399
D897,830	S	*	10/2020	Roberto	D8/397
D898,653	S	*	10/2020	Wells	D12/345
D898,879	S	*	10/2020	Kalb	D23/262
D902,120	S	*	11/2020	Wells	D12/345
D905,547	S	*	12/2020	Campion	D8/397
D906,099	S	*	12/2020	Winter	D8/387
D906,797	S	*	1/2021	Carmona	D8/387
D907,473	S	*	1/2021	Bailey	D8/382
D907,474	S	*	1/2021	Buckley	D8/396
D921,474	S	*	6/2021	Borst	D8/349
D922,177	S	*	6/2021	Pride	D8/349
2009/0169324	A1	*	7/2009	Fritsch	F16B 5/02 411/4
2018/0304179	A1	*	10/2018	Auxter	B01D 27/103

OTHER PUBLICATIONS

Furniture Connector Bolt, Date Visited: Jun. 17, 2021, Ali Express,
Date Available: Jun. 17, 2021, <https://www.aliexpress.com/item/10000141044528.html> (Year: 2021).*

* cited by examiner

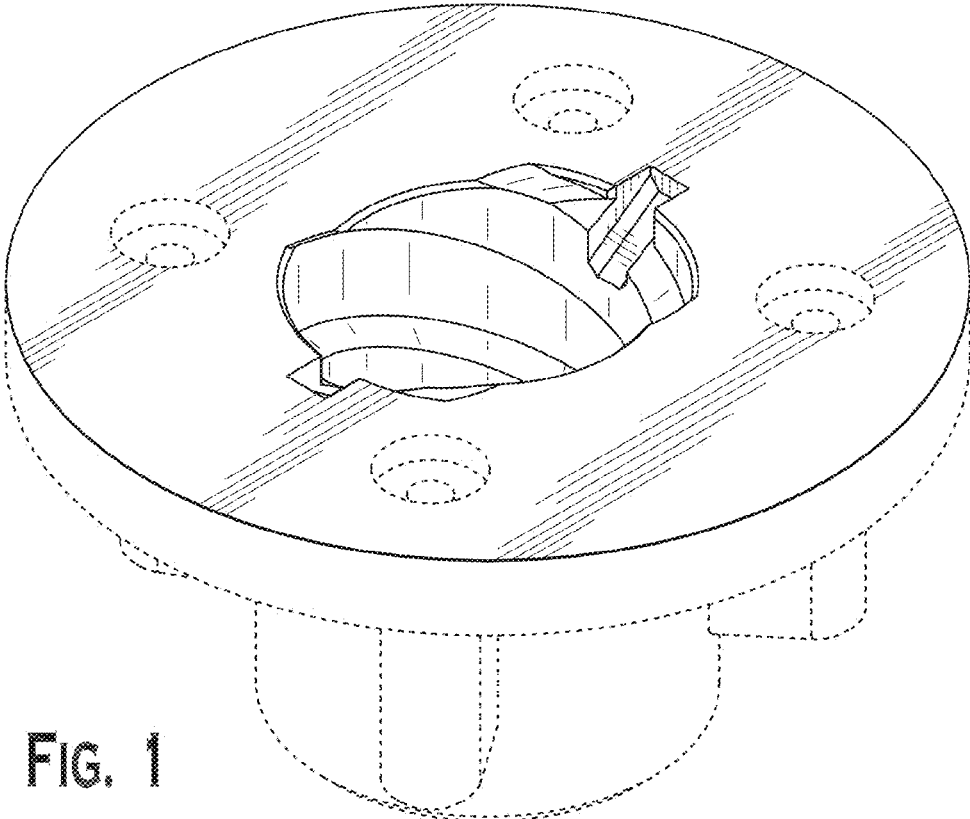


FIG. 1

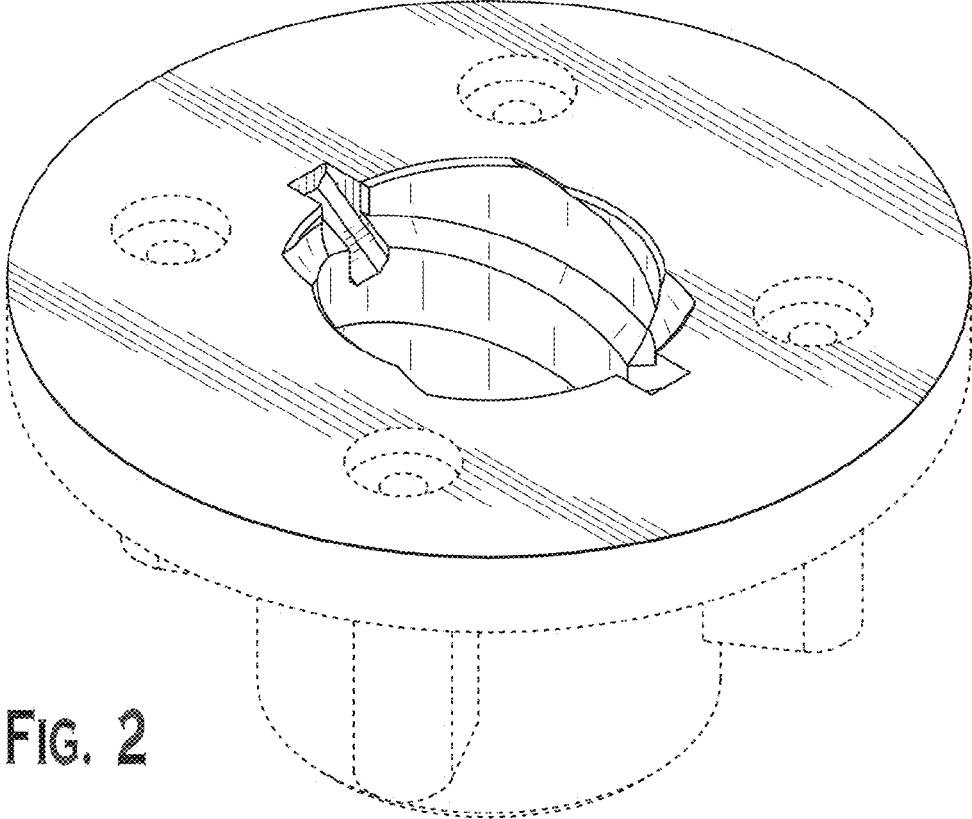


FIG. 2

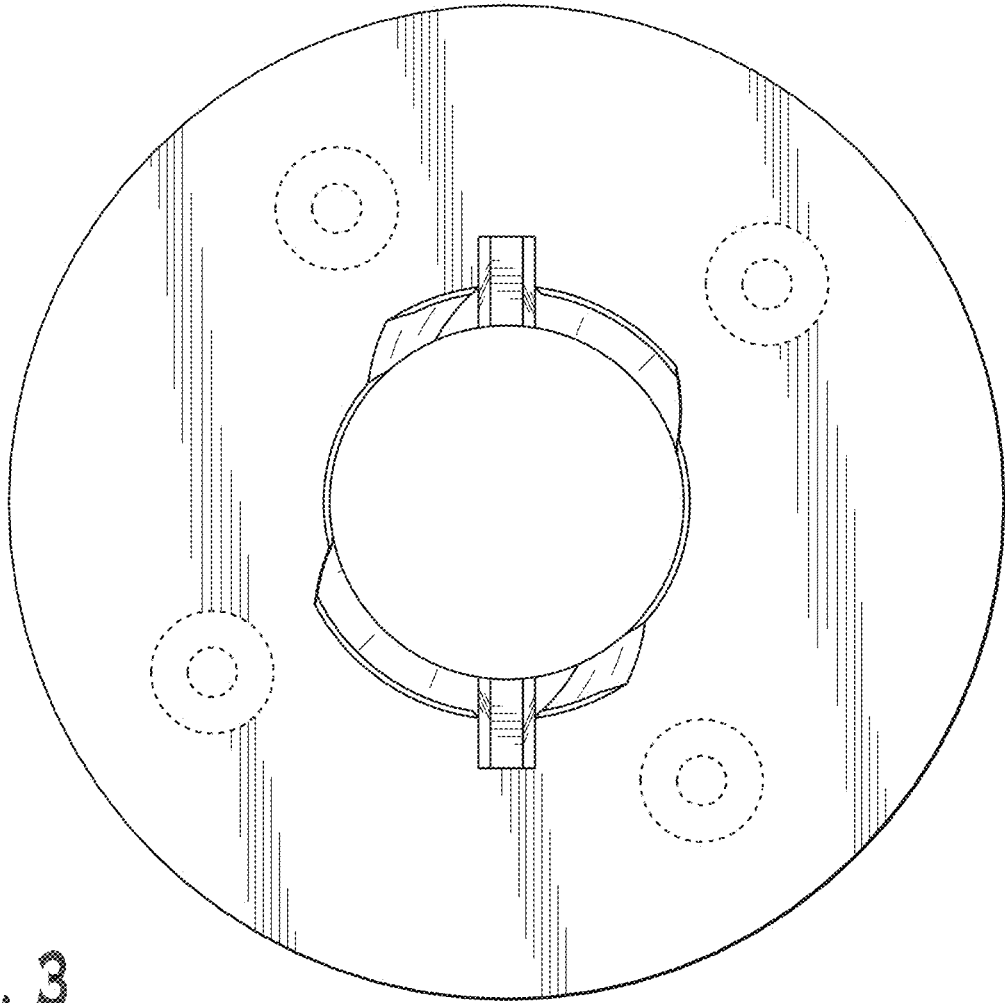


FIG. 3

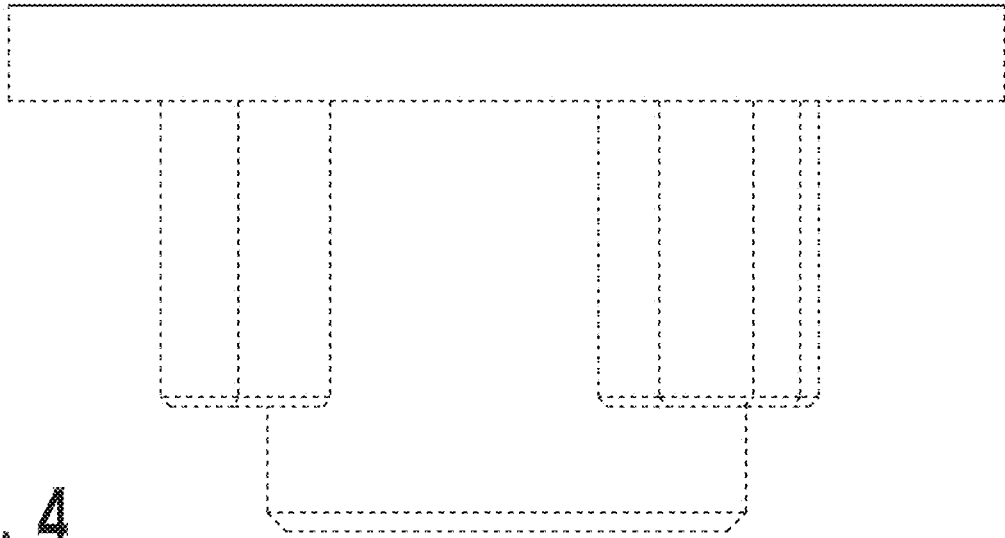


FIG. 4

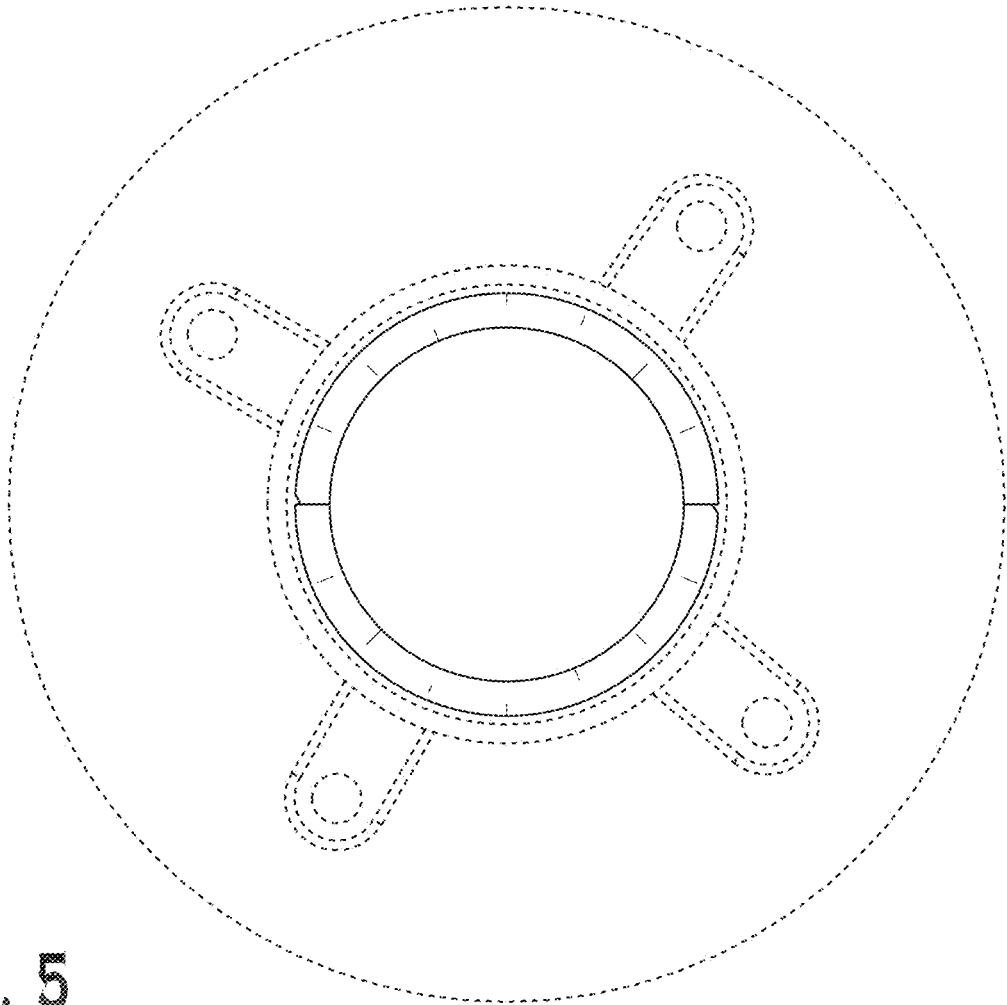


FIG. 5

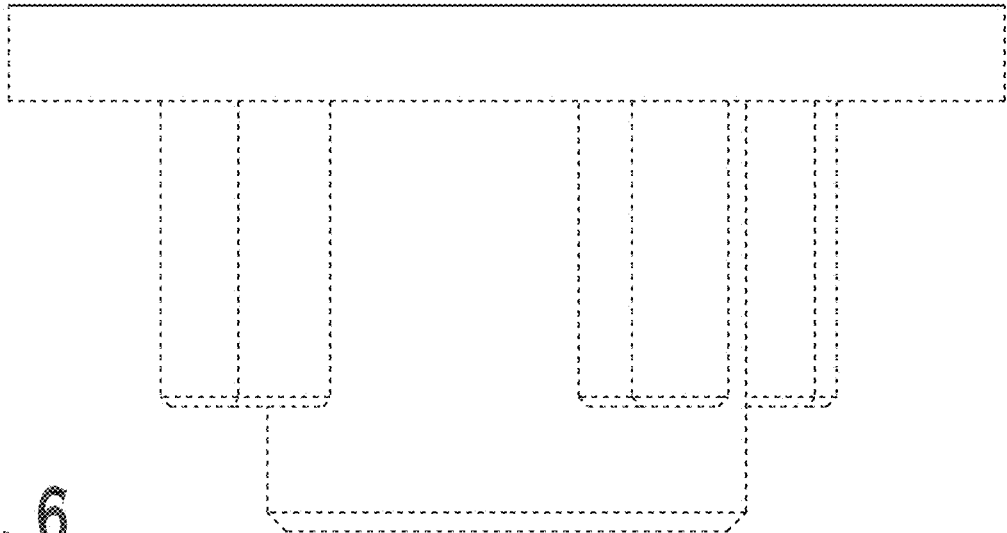


FIG. 6

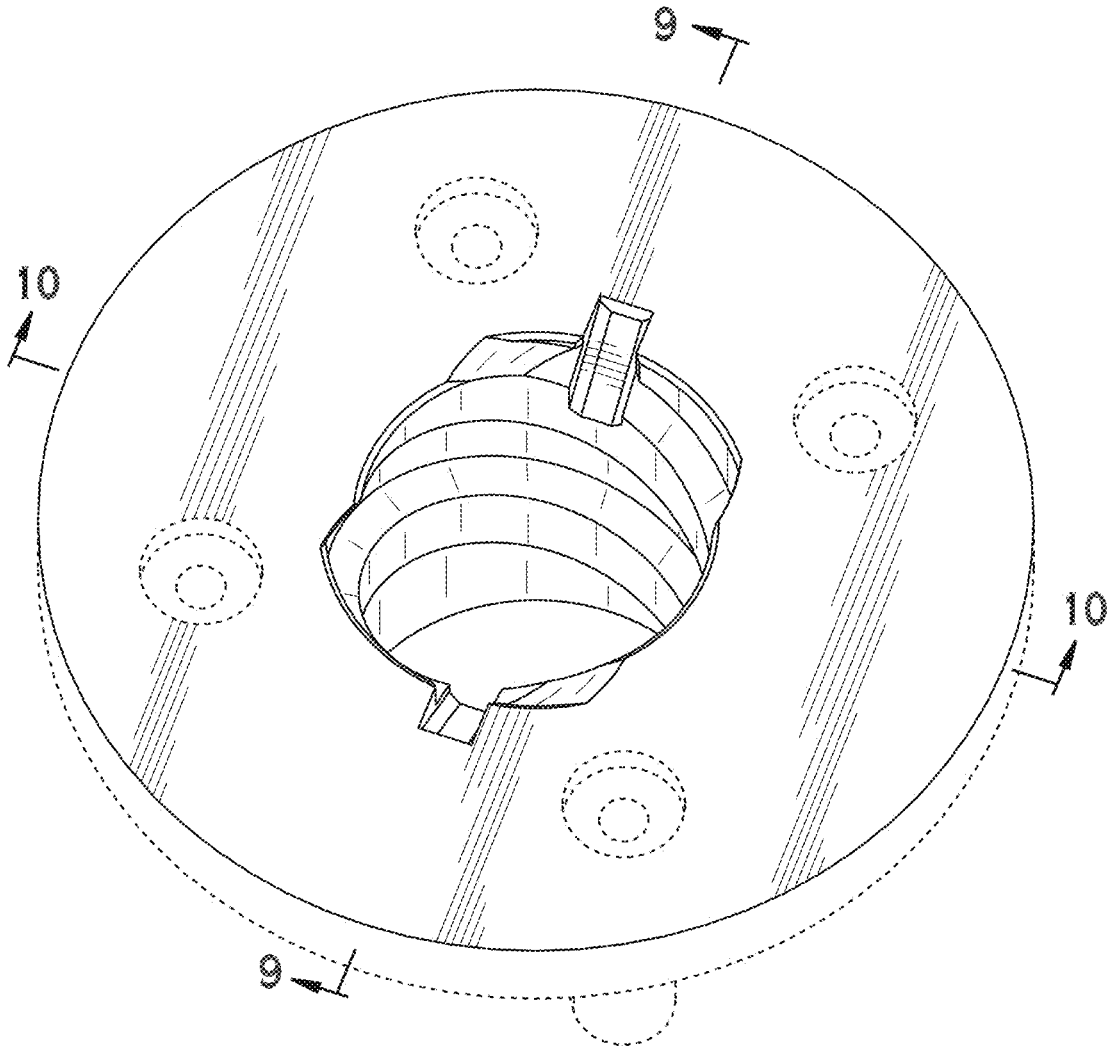


FIG. 7

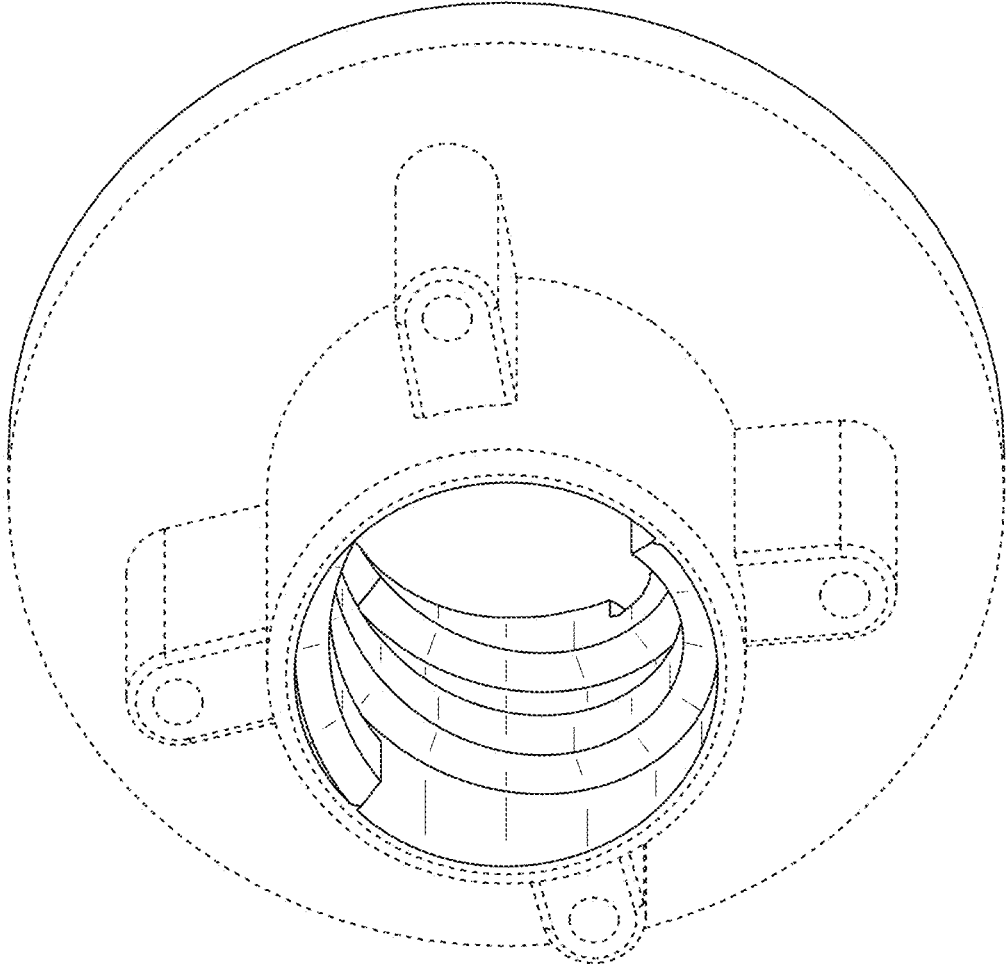


FIG. 8

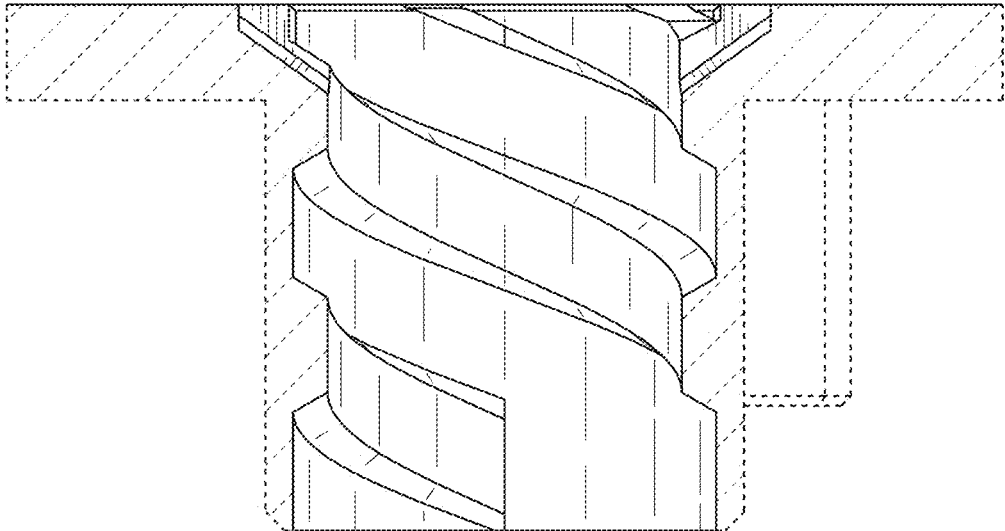


FIG. 9

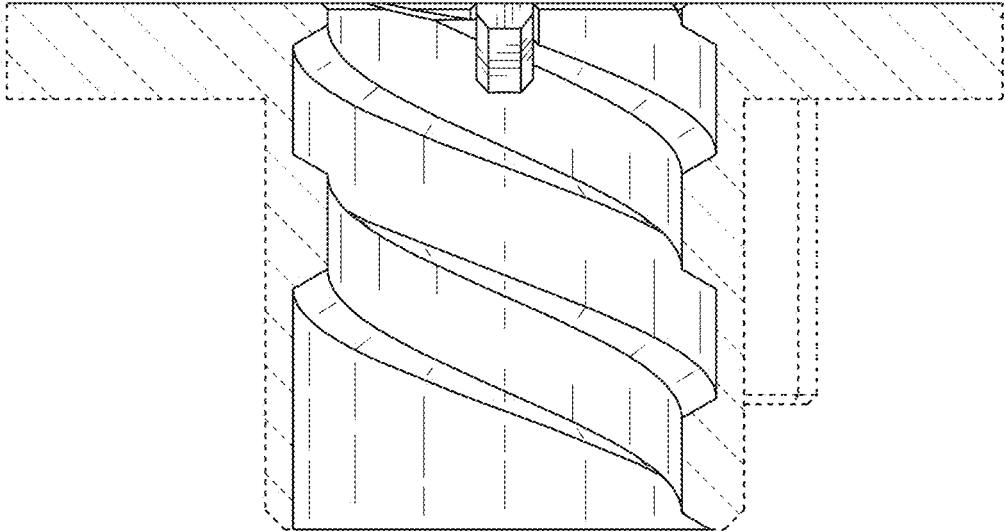


FIG. 10