



US00D905339S

(12) **United States Design Patent**  
**Roche**

(10) **Patent No.:** **US D905,339 S**  
(45) **Date of Patent:** **\*\* Dec. 15, 2020**

(54) **SAFETY RAZOR BLADE ASSEMBLY**

(71) Applicant: **Edgewell Personal Care Brands, LLC**, Chesterfield, MO (US)

(72) Inventor: **Donald Roche**, Milford, CT (US)

(73) Assignee: **EDGEWELL PERSONAL CARE BRANDS, LLC**, Chesterfield, MO (US)

(\*\*) Term: **15 Years**

(21) Appl. No.: **29/688,808**

(22) Filed: **Apr. 24, 2019**

(51) **LOC (12) Cl.** ..... **28-03**

(52) **U.S. Cl.**  
USPC ..... **D28/47**

(58) **Field of Classification Search**  
USPC ..... D28/46–48  
CPC ..... B26B 21/14–227; B26B 21/4006–4031;  
B26B 21/4068–4075; B26B 21/443;  
B26B 21/54–60; B26B 21/525; B26B  
21/08–10

See application file for complete search history.

3,176,393 A \* 4/1965 Taylor ..... B26B 21/20  
30/60.5

3,842,499 A 10/1974 Dorion, Jr. et al.  
3,849,882 A \* 11/1974 Ferraro ..... B26B 21/54  
30/346.58

3,872,588 A \* 3/1975 Bogaty ..... B26B 21/56  
30/50

3,938,250 A 2/1976 Perry  
4,031,620 A 6/1977 Pomfret  
4,302,876 A \* 12/1981 Emmett ..... B26B 21/222  
30/346.58

4,324,041 A \* 4/1982 Trotta ..... B26B 21/54  
30/47

4,562,645 A \* 1/1986 Dato ..... B26B 21/4068  
30/346.58

5,012,576 A \* 5/1991 Johannesson ..... B26B 19/148  
30/133

5,412,872 A \* 5/1995 Iderosa ..... B26B 21/4012  
30/50

D457,269 S \* 5/2002 Arey ..... D28/47  
6,505,403 B1 \* 1/2003 Andrews ..... B26B 21/00  
30/29.5

(Continued)

Primary Examiner — Jennifer Rivard

(57)

**CLAIM**

I claim the ornamental design for the safety razor blade assembly, as shown and described.

**DESCRIPTION**

FIG. 1 is an upper perspective view of a safety razor blade assembly.  
FIG. 2 is a lower perspective view thereof.  
FIG. 3 is a top view thereof.  
FIG. 4 is a bottom view thereof.  
FIG. 5 is a front view.  
FIG. 6 is a rear view.  
FIG. 7 is a left side view of FIG. 3; and,  
FIG. 8 is a right side view of FIG. 3.

**1 Claim, 3 Drawing Sheets**

(56) **References Cited**

**U.S. PATENT DOCUMENTS**

839,447 A \* 12/1906 Arnold ..... B26B 21/10  
30/53

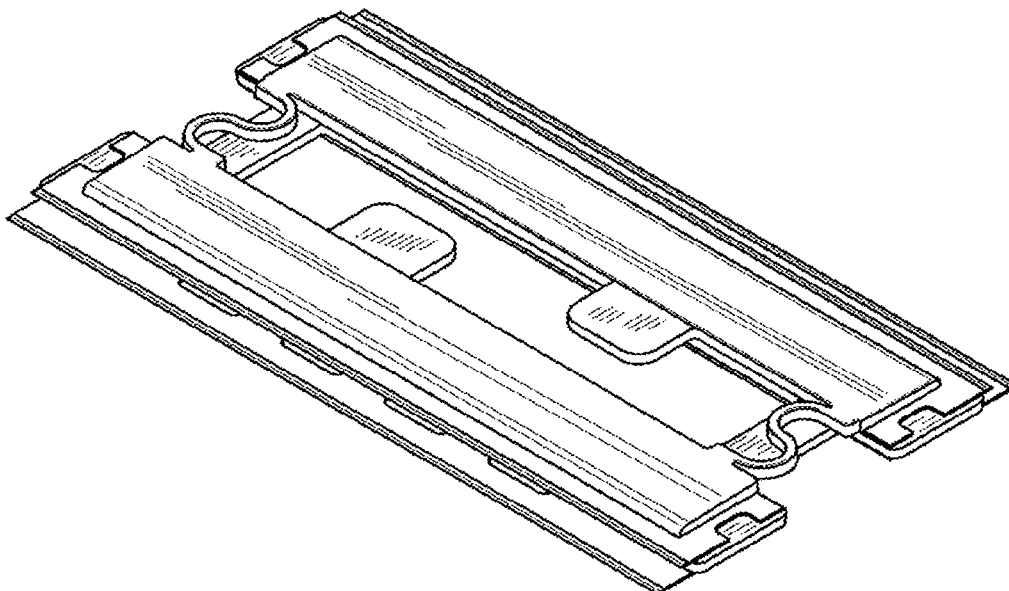
1,229,824 A \* 6/1917 Tewelow ..... B26B 19/148  
30/29.5

1,266,868 A \* 5/1918 Sheehan ..... B26B 21/56  
30/346.59

1,820,407 A \* 8/1931 Thompson ..... B26B 21/56  
30/346.54

2,080,860 A \* 5/1937 Firneburg ..... B26B 21/56  
30/346.58

2,794,252 A \* 6/1957 Plesch ..... B26B 21/54  
30/346.58



(56)

**References Cited**

U.S. PATENT DOCUMENTS

6,519,856	B1 *	2/2003	Dischler	.....	B26B 21/22	
					30/346.57	
D495,827	S *	9/2004	Branden	.....	D28/47	
D497,219	S *	10/2004	Branden	.....	A47L 13/08	
					D28/47	
D776,384	S *	1/2017	Eldridge	.....	D32/46	
D830,632	S *	10/2018	Hage	.....	D28/46	
D858,879	S *	9/2019	Brormann	.....	B26B 21/28	
					D28/47	
10,543,606	B2 *	1/2020	Schatz	.....	B26B 21/28	
2012/0311864	A1 *	12/2012	Brormann	.....	B26B 21/10	
					30/48	
2018/0161999	A1 *	6/2018	Depaz	.....	B26B 21/4012	

\* cited by examiner

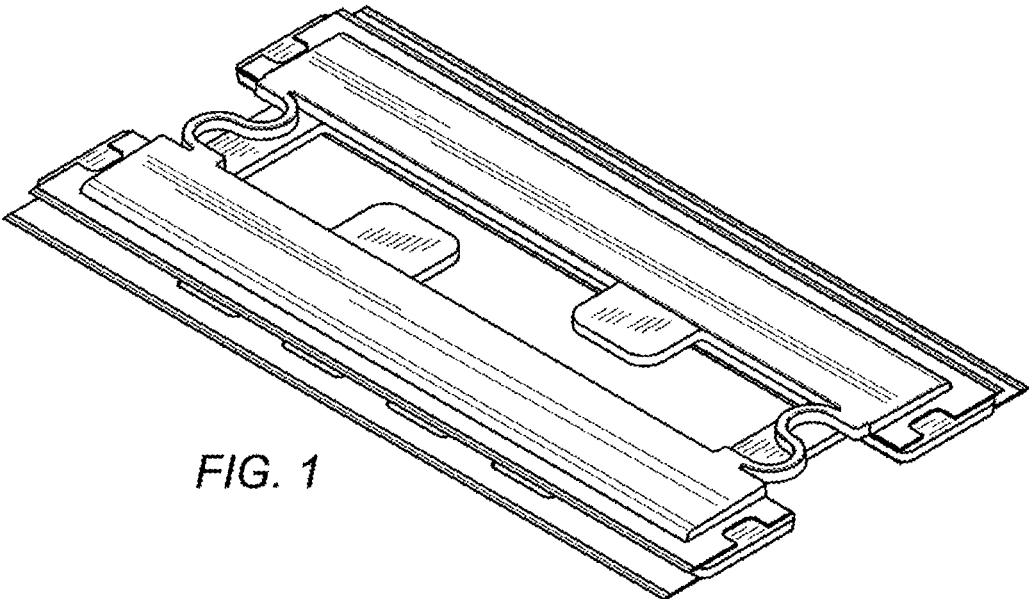


FIG. 1

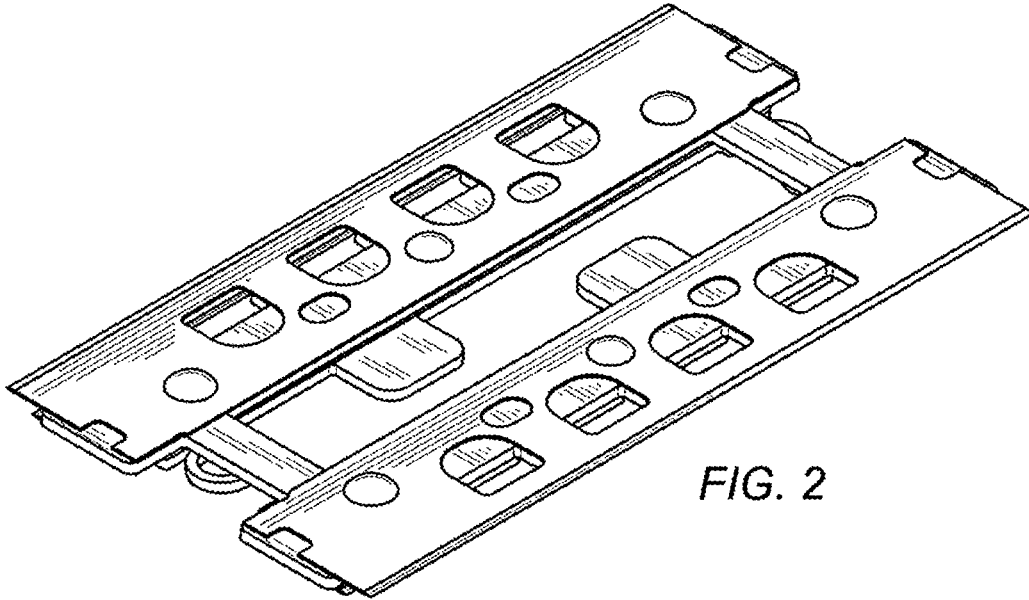


FIG. 2

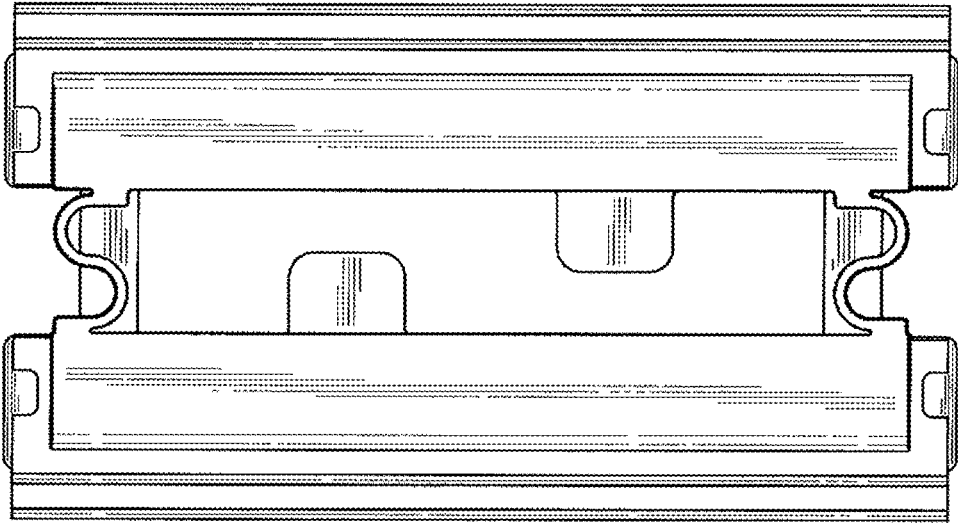


FIG. 3

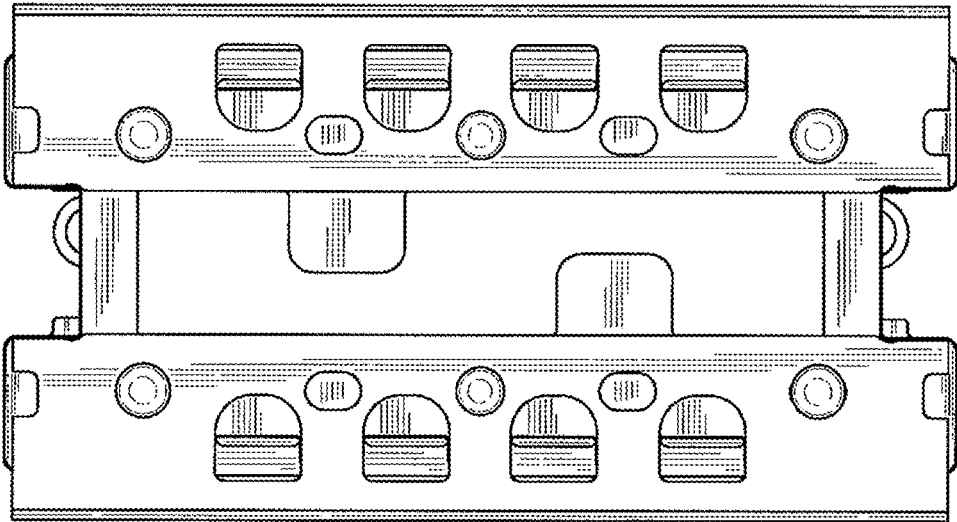


FIG. 4



FIG. 5



FIG. 6



FIG. 7



FIG. 8