



US00D793535S

(12) **United States Design Patent**  
**Fritz**

(10) **Patent No.:** **US D793,535 S**

(45) **Date of Patent:** **\*\* Aug. 1, 2017**

(54) **FAUCET**

(71) Applicant: **DELTA FAUCET COMPANY,**  
Indianapolis, IN (US)

(72) Inventor: **Seth Fritz,** Carmel, IN (US)

(73) Assignee: **DELTA FAUCET COMPANY,**  
Indianapolis, IN (US)

(\*\*) Term: **15 Years**

(21) Appl. No.: **29/555,413**

(22) Filed: **Feb. 22, 2016**

(51) **LOC (10) Cl.** ..... **23-01**

(52) **U.S. Cl.**  
USPC ..... **D23/242**

(58) **Field of Classification Search**  
USPC ..... D23/238-243, 249-250, 252, 254-255,  
D23/257

CPC . E03C 1/00; E03C 1/0404; E03C 1/02; E03C  
1/021; E03C 1/0401; E03C 1/04; E03C  
1/0402; E03C 1/0403

See application file for complete search history.

(56) **References Cited**

**U.S. PATENT DOCUMENTS**

D639,396 S \* 6/2011 Fritz ..... D23/255  
D661,782 S \* 6/2012 Slothower ..... D23/252

D676,938 S \* 2/2013 Kwok ..... D23/252  
D724,184 S \* 3/2015 Cahill ..... D23/255  
9,109,350 B2\* 8/2015 Zhu ..... E03C 1/0403

\* cited by examiner

*Primary Examiner* — Robert Delehanty

(74) *Attorney, Agent, or Firm* — Edgar A. Zarins; Nirav  
D. Parikh

(57) **CLAIM**

The ornamental design for a faucet, as shown and described.

**DESCRIPTION**

FIG. 1 is a perspective view of a faucet showing my new design;

FIG. 2 is a front elevational view thereof;

FIG. 3 is a right side view thereof, the opposite side being a mirror image of the side shown;

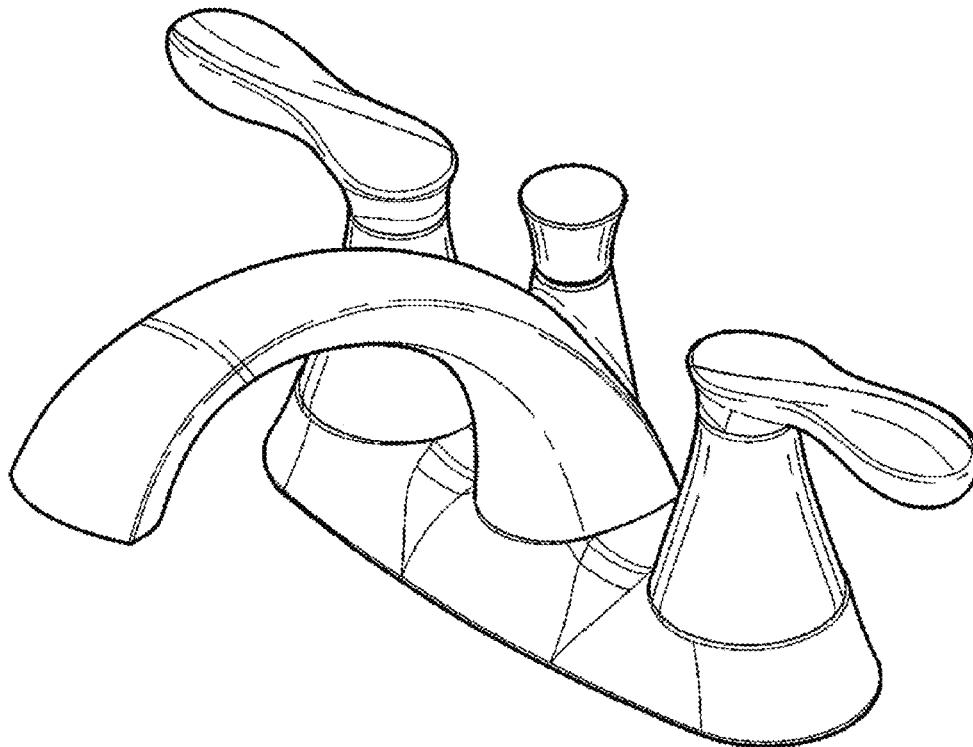
FIG. 4 is a rear view thereof;

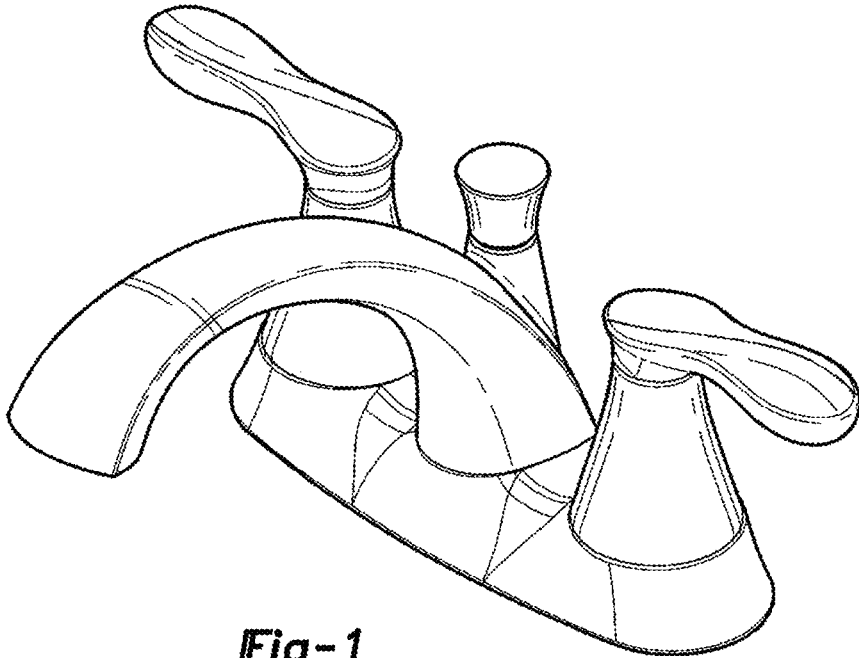
FIG. 5 is a top plan view thereof; and,

FIG. 6 is a bottom view thereof.

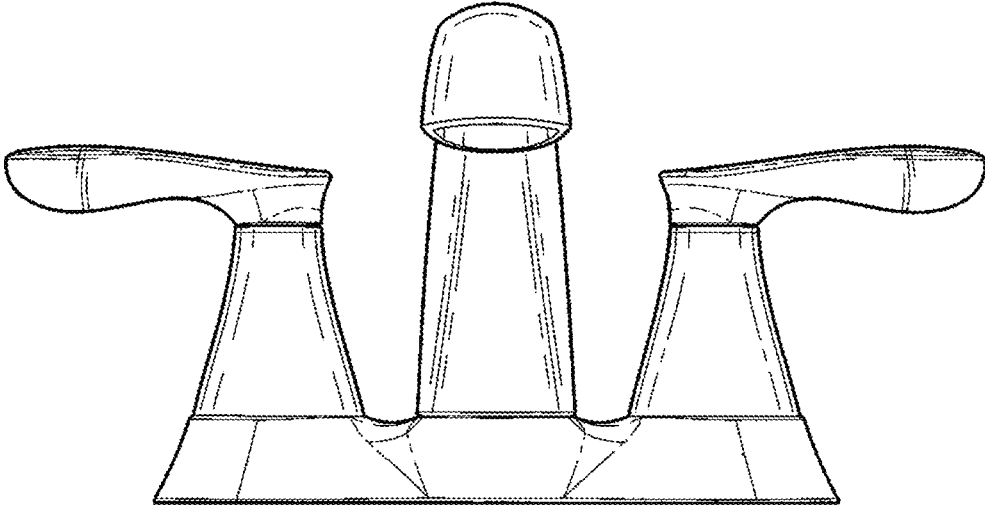
The broken lines shown in FIG. 6 of the drawings are included for the purpose of illustrating a portion of the faucet that form no part of the claimed design.

**1 Claim, 3 Drawing Sheets**

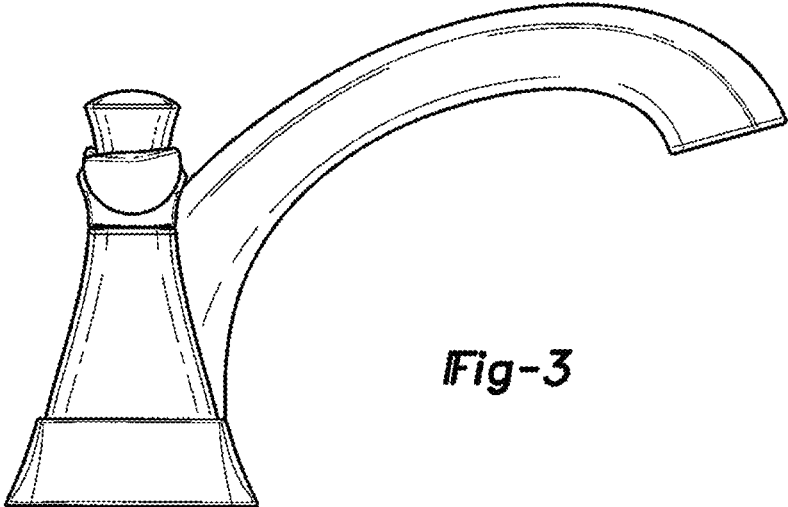




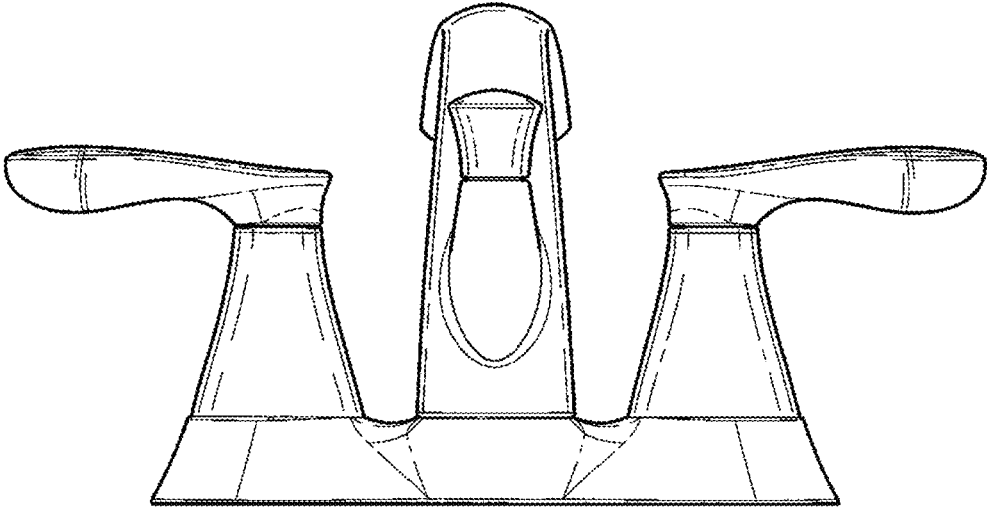
**Fig-1**



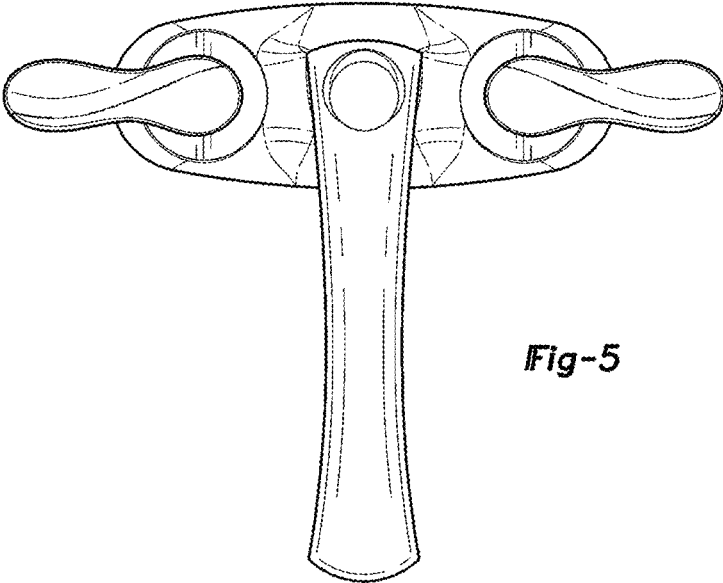
**Fig-2**



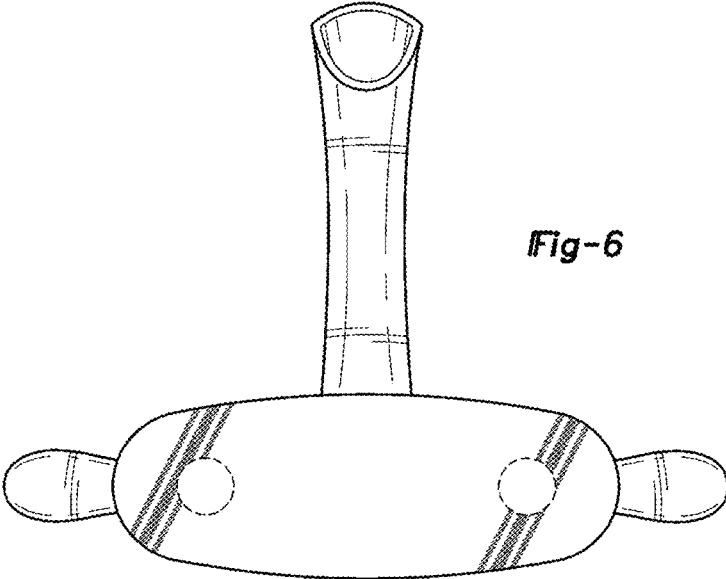
*Fig-3*



*Fig-4*



*Fig-5*



*Fig-6*