



US00D684686S

(12) **United States Design Patent**  
**Cronenberg**

(10) **Patent No.:** **US D684,686 S**

(45) **Date of Patent:** **\*\* Jun. 18, 2013**

- (54) **INFUSION DEVICE BUTTON**
- (75) Inventor: **Richard Cronenberg**, Mahwah, NJ (US)
- (73) Assignee: **Becton, Dickinson and Company**, Franklin Lakes, NJ (US)
- (\*\*) Term: **14 Years**
- (21) Appl. No.: **29/418,297**
- (22) Filed: **Apr. 13, 2012**
- (51) **LOC (9) Cl.** ..... **24-02**
- (52) **U.S. Cl.**  
USPC ..... **D24/111; D24/108**
- (58) **Field of Classification Search**  
USPC ..... D24/108, 107, 118, 121, 129, 162, D24/164, 167, 169, 114, 111; 604/6.09, 180, 604/151, 154, 164.08, 93.01, 153, 141, 54, 604/533, 506, 19, 48, 500; 74/783 PB; 137/636.1; 200/4, 344, 520, 341; 324/429; 715/810; D14/247, 218, 248, 138 AA, 348 AD, D14/138 G, 138 H, 138 I, 138 J, 138 K, 138 L, D14/138 M, 138 N, 138 O, 138 P, 138 Q, D14/138 R; 345/173; D15/7, 8  
See application file for complete search history.

D621,387 S *	8/2010	Hansen et al.	.....	D14/218
D636,766 S *	4/2011	Page	.....	D14/247
D636,767 S *	4/2011	Page	.....	D14/247

(Continued)

**OTHER PUBLICATIONS**

U.S. Appl. No. 29/405,929, filed Nov. 8, 2011.

(Continued)

*Primary Examiner* — Ian Simmons

*Assistant Examiner* — E Aldridge

(74) *Attorney, Agent, or Firm* — Roylance, Abrams, Berdo and Goodman, LLP

(57) **CLAIM**

The ornamental design for an infusion device button, as shown and described.

**DESCRIPTION**

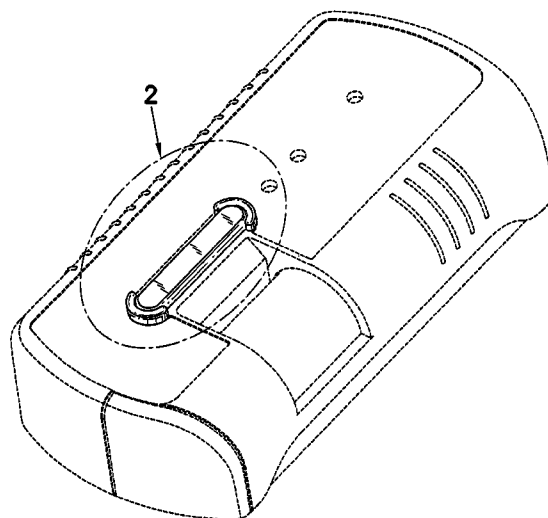
FIG. 1 is a perspective view of an embodiment of an infusion device button showing my new design;  
 FIG. 2 is an enlarged perspective view of the infusion device button shown in FIG. 1;  
 FIG. 3 is a top view of the infusion device button shown in FIG. 1;  
 FIG. 4 is an enlarged top view of the infusion device button shown in FIG. 3;  
 FIG. 5 is a left side elevational view of the infusion device button shown in FIG. 1;  
 FIG. 6 is a front elevational view of the infusion device button shown in FIG. 1;  
 FIG. 7 is a rear elevational view of the infusion device button shown in FIG. 1;  
 FIG. 8 is a right side elevational view of the infusion device button shown in FIG. 1; and,  
 FIG. 9 is a bottom view of the infusion device button shown in FIG. 1.  
 Broken lines in the drawing figures represent unclaimed environmental structure, are for illustrative purposes only, and form no part of the claimed design.

(56) **References Cited**

**U.S. PATENT DOCUMENTS**

3,752,191 A *	8/1973	Botnick	.....	137/636.1
3,832,506 A *	8/1974	Dewhurst	.....	200/314
5,134,259 A *	7/1992	Page, Jr.	.....	200/341
5,889,240 A *	3/1999	Purosto et al.	.....	187/395
D418,144 S *	12/1999	Allen et al.	.....	D14/456
D420,672 S *	2/2000	Dunn et al.	.....	D14/141.3
6,310,308 B1 *	10/2001	Watson et al.	.....	200/520
D479,325 S	9/2003	Tyce		
D479,598 S	9/2003	Tyce		
D479,746 S	9/2003	Tyce		
D590,817 S *	4/2009	Gloscia et al.	.....	D14/247

**1 Claim, 5 Drawing Sheets**



# US D684,686 S

Page 2

---

## U.S. PATENT DOCUMENTS

8,172,803	B2	5/2012	Morrissey et al.	
8,221,359	B2	7/2012	Kristensen et al.	
8,262,618	B2	9/2012	Scheurer	
2007/0192738	A1*	8/2007	Lee .....	715/810
2009/0240240	A1	9/2009	Hines et al.	

## OTHER PUBLICATIONS

U.S. Appl. No. 29/405,933, filed Nov. 8, 2011.  
U.S. Appl. No. 29/405,946, filed Nov. 8, 2011.

\* cited by examiner

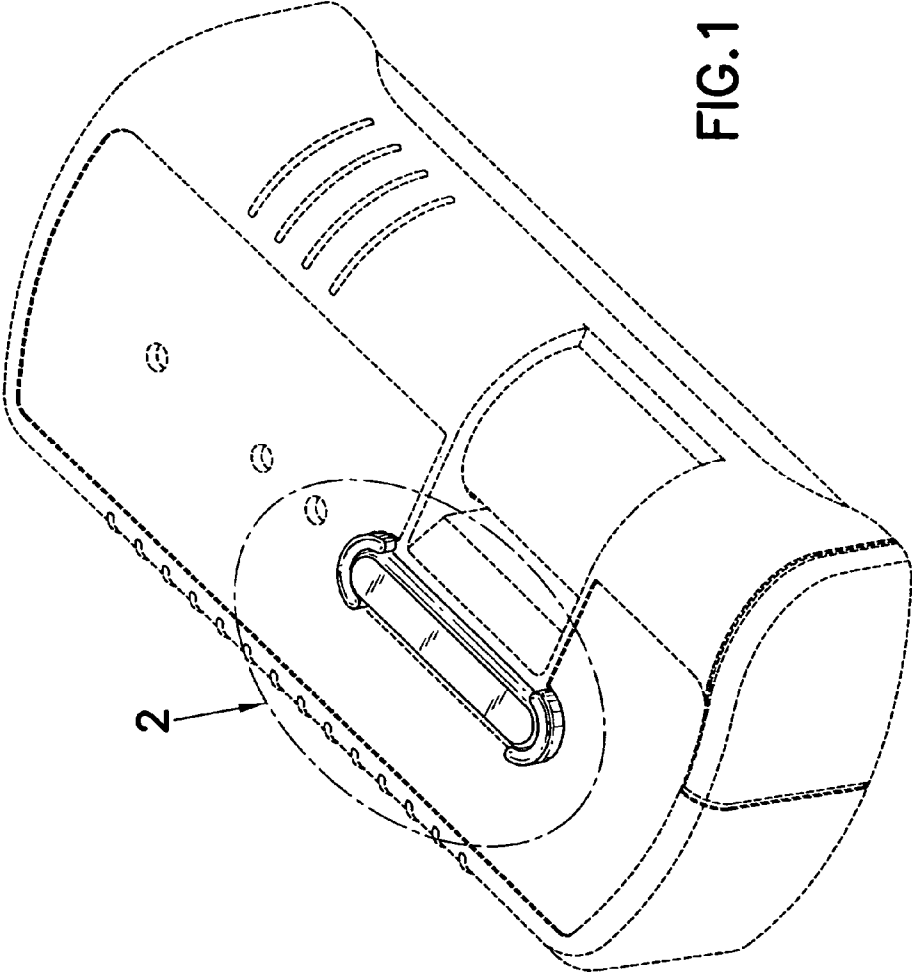


FIG. 1

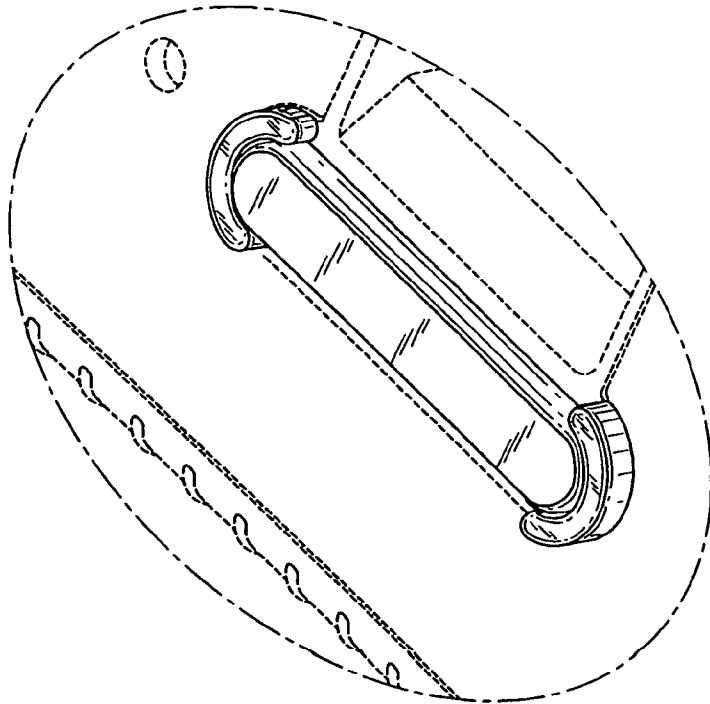


FIG. 2

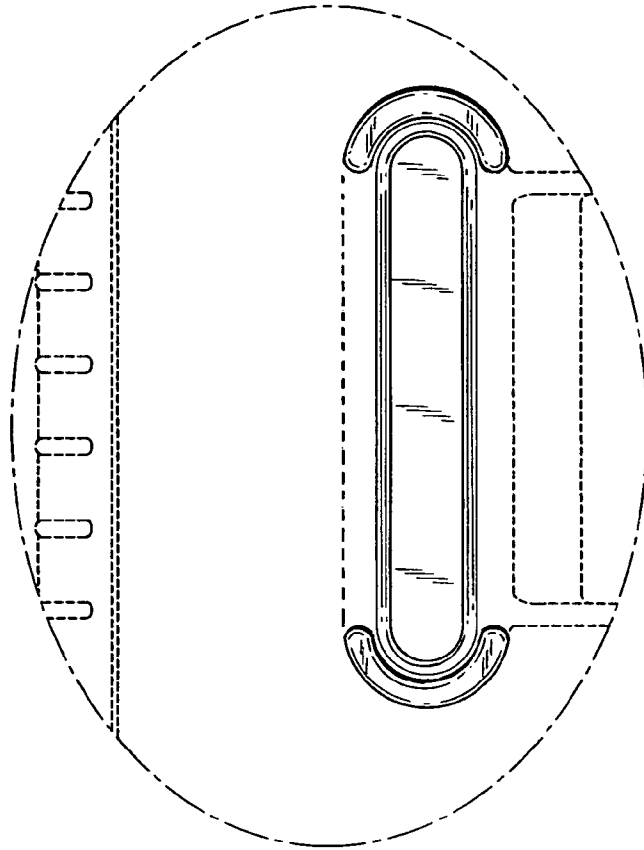


FIG. 4

FIG.3

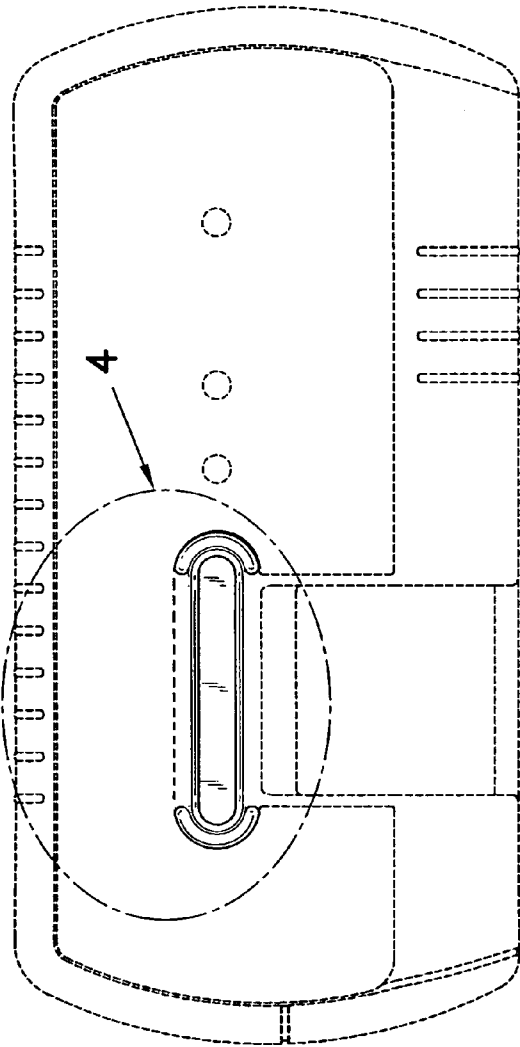
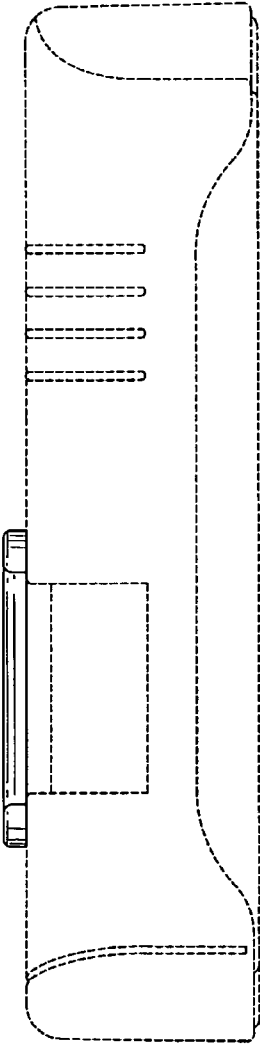


FIG.5



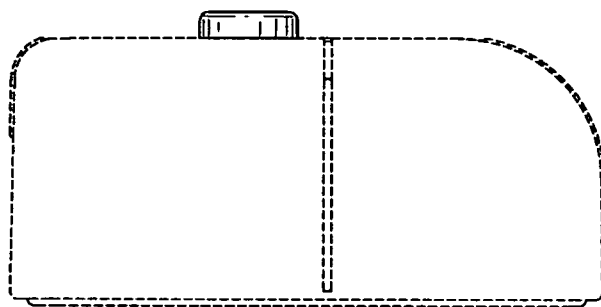


FIG. 6

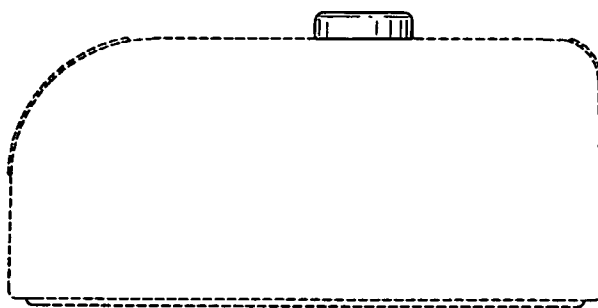


FIG. 7

FIG.8

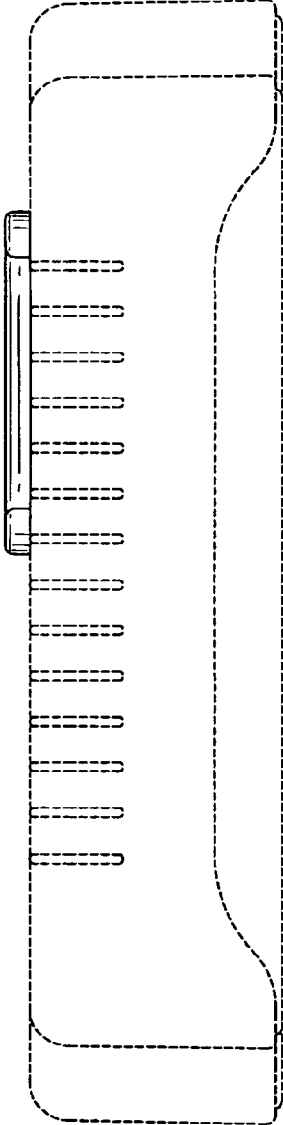


FIG.9

