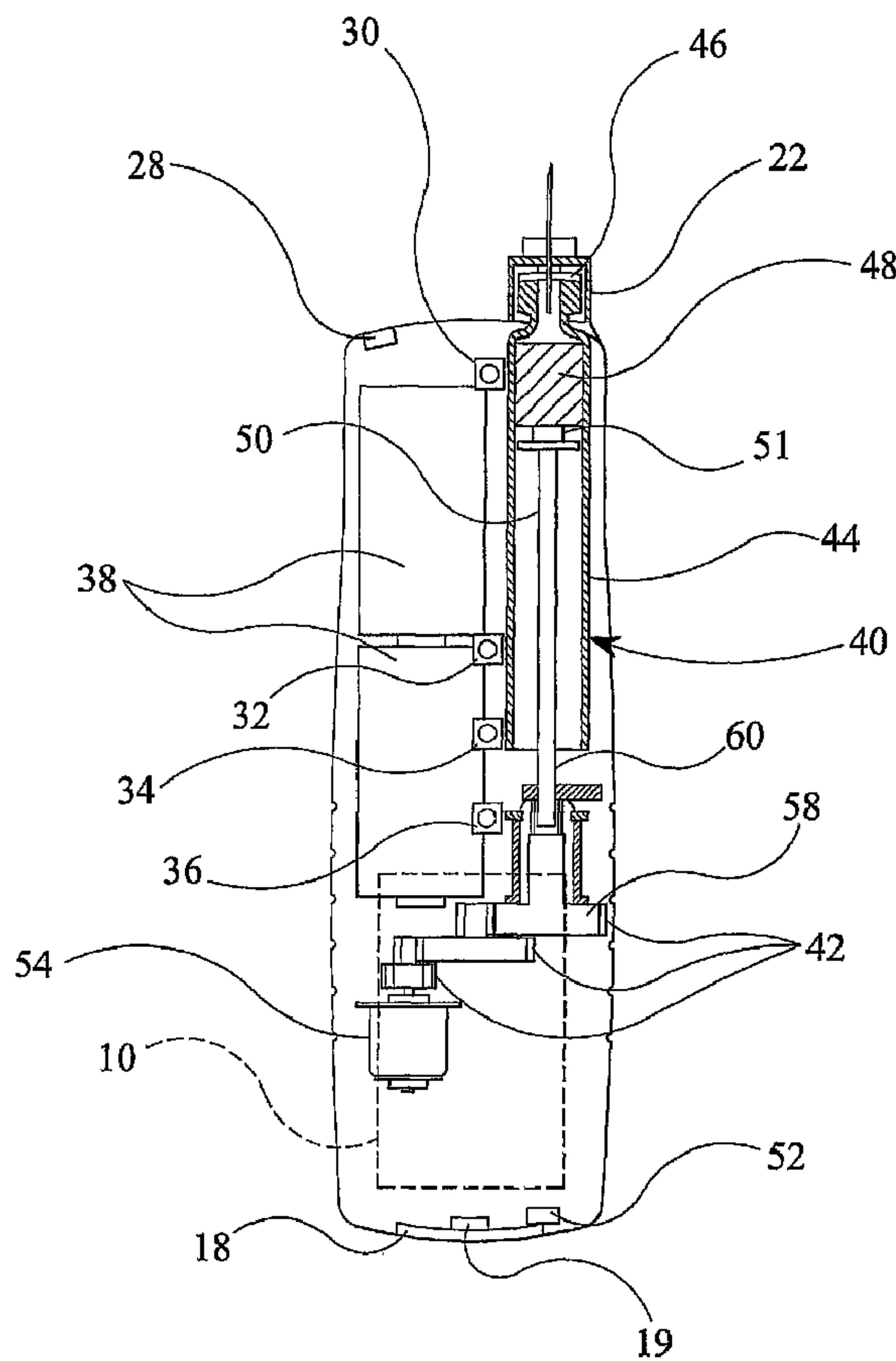




(86) Date de dépôt PCT/PCT Filing Date: 2001/12/21
 (87) Date publication PCT/PCT Publication Date: 2002/07/04
 (45) Date de délivrance/Issue Date: 2009/11/24
 (85) Entrée phase nationale/National Entry: 2003/06/09
 (86) N° demande PCT/PCT Application No.: GB 2001/005743
 (87) N° publication PCT/PCT Publication No.: 2002/051475
 (30) Priorité/Priority: 2000/12/22 (GB0031466.6)

(51) Cl.Int./Int.Cl. *A61M 5/145* (2006.01),
A61M 5/142 (2006.01)
 (72) Inventeurs/Inventors:
LANGLEY, CHRISTOPHER NIGEL, GB;
DAY, SHANE ALISTAIR, GB;
VEASEY, ROBERT FREDERICK, GB;
WOOLSTON, ROBERT, GB
 (73) Propriétaire/Owner:
DCA DESIGN INTERNATIONAL LIMITED, GB
 (74) Agent: BERESKIN & PARR LLP/S.E.N.C.R.L.,S.R.L.

(54) Titre : DISPOSITIF D'INJECTION A CARTOUCHE REMPLAYABLE
 (54) Title: INJECTION DEVICE WITH REPLACEABLE CARTRIDGE



(57) **Abrégé/Abstract:**

An injection device for injection of a medicament from a medicament cartridge 40 is disclosed. The injection device comprises a main housing 4, a piston 50 and an end stop switch 52 in which access to the main body 4 for replacement of the medicament cartridge 40 may only be obtained when the piston 50 trips the end stop switch .

(12) INTERNATIONAL APPLICATION PUBLISHED UNDER THE PATENT COOPERATION TREATY (PCT)

(19) World Intellectual Property Organization
International Bureau(43) International Publication Date
4 July 2002 (04.07.2002)

PCT

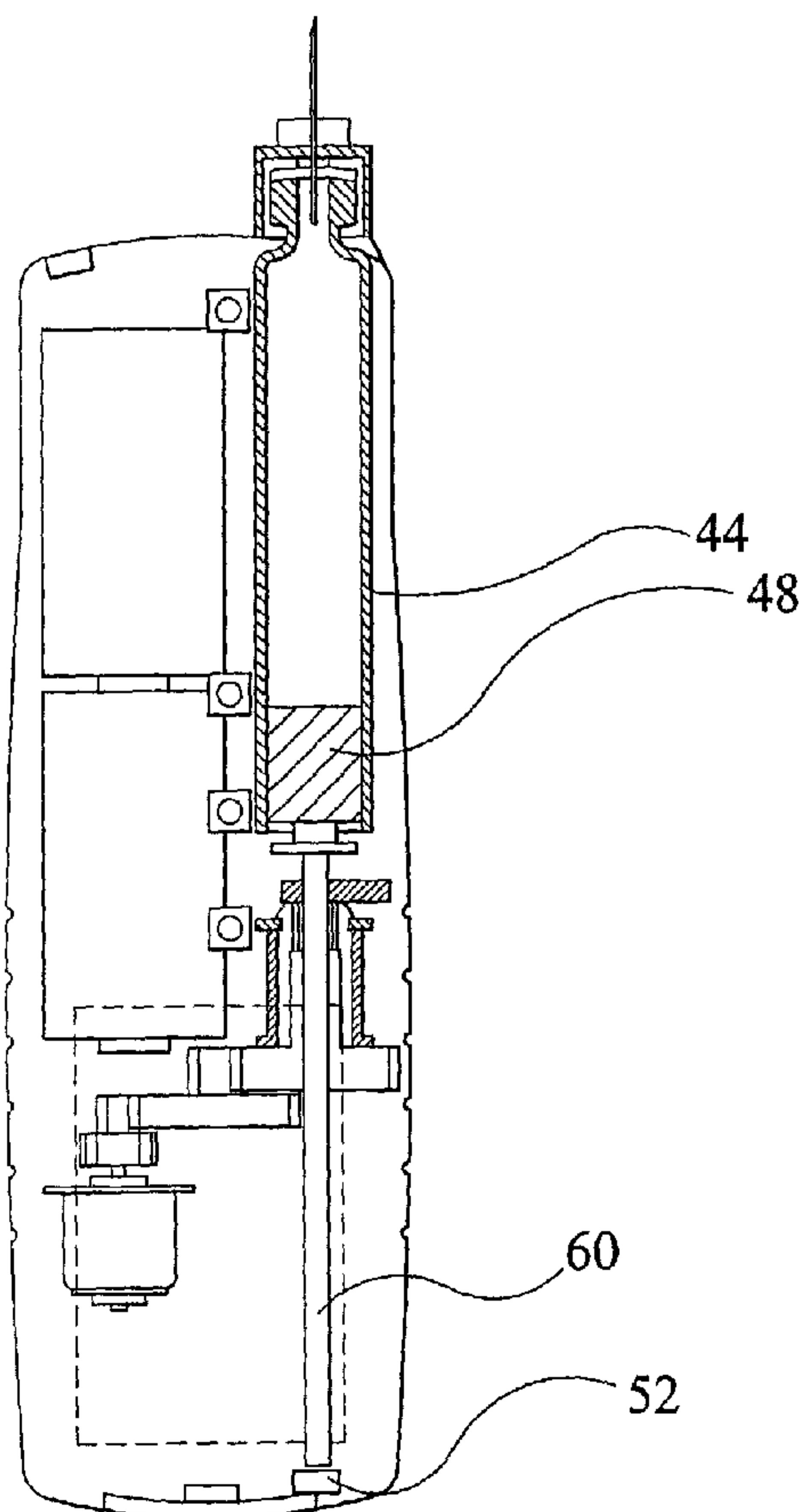
(10) International Publication Number
WO 02/051475 A1

- (51) International Patent Classification⁷: A61M 5/145, 5/142
- (21) International Application Number: PCT/GB01/05743
- (22) International Filing Date:
21 December 2001 (21.12.2001)
- (25) Filing Language: English
- (26) Publication Language: English
- (30) Priority Data:
0031466.6 22 December 2000 (22.12.2000) GB
- (71) Applicant (for all designated States except US): DCA DESIGN INTERNATIONAL LIMITED [GB/GB]; 19 Church Street, Warwick CV34 4AB (GB).
- (72) Inventors; and
(75) Inventors/Applicants (for US only): LANGLEY, Christopher, Nigel [GB/GB]; 120 Leicester Lane, Leamington Spa, Warwickshire CV34 7HH (GB). DAY, Shane, Alistair [GB/GB]; 9 Brese Avenue, Warwick CV34 5TS (GB). VEASEY, Robert, Frederick [GB/GB]; 35 Hitchman Road, Leamington Spa CV31 1QH (GB). WOOLSTON, Robert [GB/GB]; 3 Chestnut Grove, Moreton Morrell, Warwick CV15 9DG (GB).
- (74) Agent: MOFFAT, John, Andrew; Lewis & Taylor, 5 the Quadrant, Coventry CV1 2EL (GB).
- (81) Designated States (national): AE, AG, AL, AM, AT, AU, AZ, BA, BB, BG, BR, BY, BZ, CA, CH, CN, CO, CR, CU, CZ, DE, DK, DM, DZ, EC, EE, ES, FI, GB, GD, GE, GH, GM, HR, HU, ID, IL, IN, IS, JP, KE, KG, KP, KR, KZ, LC, LK, LR, LS, LT, LU, LV, MA, MD, MG, MK, MN, MW, MX, MZ, NO, NZ, OM, PH, PL, PT, RO, RU, SD, SE, SG,

[Continued on next page]

(54) Title: INJECTION DEVICE WITH REPLACEABLE CARTRIDGE

(57) Abstract: An injection device for injection of a medicament from a medicament cartridge 40 is disclosed. The injection device comprises a main housing 4, a piston 50 and an end stop switch 52 in which access to the main body 4 for replacement of the medicament cartridge 40 may only be obtained when the piston 50 trips the end stop switch .



WO 02/051475 A1

WO 02/051475 A1

SI, SK, SL, TJ, TM, TN, TR, TT, TZ, UA, UG, US, UZ,
VN, YU, ZA, ZM, ZW.

Published:

— *with international search report*

(84) Designated States (regional): ARIPO patent (GH, GM, KE, LS, MW, MZ, SD, SL, SZ, TZ, UG, ZM, ZW), Eurasian patent (AM, AZ, BY, KG, KZ, MD, RU, TJ, TM), European patent (AT, BE, CH, CY, DE, DK, ES, FI, FR, GB, GR, IE, IT, LU, MC, NL, PT, SE, TR), OAPI patent (BF, BJ, CF, CG, CI, CM, GA, GN, GQ, GW, ML, MR, NE, SN, TD, TG).

For two-letter codes and other abbreviations, refer to the "Guidance Notes on Codes and Abbreviations" appearing at the beginning of each regular issue of the PCT Gazette.

INJECTION DEVICE WITH REPLACEABLE CARTRIDGE

The present invention relates to improvements in an injection device, and in particular to improvements in a portable injection device for dispensing controlled quantities of a
5 medicament.

Typically such injection devices are used by those suffering from diabetes to administer a dose of insulin or insulin-type medicine to themselves. It will be understood that such injection devices are suitable for the injection of other medicines.

10

At one time, such doses were administered by use of a disposable syringe; the syringe first being filled from a separate phial or other container and then used to inject the dose. However, there were a number of difficulties in such an arrangement. In particular, such an arrangement was not suitable for the infirm. For others, the social stigma associated
15 with such syringes made their public use problematic.

To overcome these difficulties a number of so-called pen-type injectors have been developed. These devices are small, being capable of being carried in a jacket pocket or the like and allow a number of doses to be obtained from a cartridge or ampoule
20 contained within the injector. The present invention has particular application to such pen-type injectors.

While such pen-type injectors are a considerable improvement upon disposable hypodermic syringes, problems nevertheless remain. It is an advantage of the present
25 invention that it eliminates, or at least substantially reduces such problems. The present invention also provides for improved ease of use and improved interaction with a user.

The invention will now be described, by way of example only, with reference to the accompanying drawings; in which:-

2

Figure 1 shows a plan view of a pen-type injector in accordance with the present invention;

Figure 2 shows a similar view to Figure 1 with an end cap of the injector omitted;

Figure 3 shows a cross-sectional view of the injector of Figures 1 and 2; and

5 Figure 3A shows a view similar to that of Figure 3 with a filled cartridge in the injector.

Referring first to Figures 1 to 3, there can be seen a pen-type injector 2 in accordance with the present invention. The injector 2 comprises a main housing 4 to which is releasably secured an end cap or cover 6.

10

At a first end of the main housing 4 there is provided a control panel region 8. This region includes a display panel 10, typically a LCD display, and a first dose button 12 and a second dose button 14, the first and second dose buttons being operated to increase or decrease a dose of medicament to be delivered. The control panel region 10 in the
15 illustrated embodiment also includes an arm button 16.

At the first end of the main housing there is also provided a dispense button 18.

Preferably, when not depressed, the dispense button 18 is flush with the main housing 4.

20 Along a longitudinal axis of the injector 2, to each side of the control panel region 10 are provided a number of grooves or recesses 20. These aid in the gripping of the injector 2 by a user.

At a second end of the main housing 4 a needle unit 22 is releasably secured to the main
25 housing. The second end of the main housing 4 is also provided with a shaped portion 24.

In use a cartridge 40 or ampoule of medicament is stored in the housing 4 behind the shaped portion 24. For preference, the shaped portion is transparent to permit the
30 cartridge 40 to be seen by a user.

A primer button 26 is also provided on the second end of the housing 4. It will be understood that when the end cap 6 is in place over the second end of the housing, it will not be possible inadvertently to depress the primer button 26 or to be pricked by the
5 needle unit 22. A cover detection switch 28 may also be included at the second end of the main housing 4 to detect whether the end cap or cover 6 is in place or not.

In Figure 3, there can be seen a priming contact 30, an arm contact 32, a first dose contact 34 and a second dose contact 36 corresponding to the respective buttons. A
10 dispense contact 19 corresponding to the dispense button 18 is also shown.

With reference to Figure 3 it may be seen that there is provided a suitable location for a power source 38 such as a battery or batteries. There is also a suitable region in which a cartridge 40 or ampoule of medicament is to be located. This region may be accessed by
15 way of the removable shaped portion 24 of the main housing 4 to allow for replacement of the cartridge 40 or ampoule as required by the user.

In a third region of the main housing 4 there is provided a drive mechanism 42 which operates from the power source 38 and acts upon the cartridge 40 or ampoule of
20 medicament.

The cartridge 40 or ampoule comprises a container 44 or sleeve closed at one end by a cover 46 at a head end thereof, and sealed at the other by a movable bung 48 or stopper. When in position, the needle unit 22 pierces the cover 46 and movement of the bung 48
25 towards the cover 46 will cause the medicament contained within the cartridge 40 or ampoule to be expelled. The cartridge may be a 3ml cartridge in accordance with ISO/FDIS 11608 Part 3, or any other suitable cartridge to suit the injector.

Movement of the bung 48 or stopper is caused by movement of a piston or plunger 50
30 forming a part of the drive mechanism 42. The piston or plunger 50 is movable between

4

a first fully withdrawn position (not shown) which allows for the replacement of the cartridge 40 or ampoule and a second fully extended portion in which as much medicament as possible has been expelled from the cartridge 40 or ampoule. An end stop switch 52 may be provided in the main housing 4 to detect when the piston 50 is in the
5 fully withdrawn position. Tripping of the switch end stop 52 may release a catch or other fastening device to allow access to the main housing 4 for replacement of the cartridge 40.

The drive mechanism 42 is operated by a motor 54 under the control of an electronic
10 control unit (not shown). The motor 54 should be reversible in order to allow the piston 50 to be moved between the first and second positions. In Figure 3, the motor 54 can be seen to drive the piston 50 by way of a gear train 42, such that rotation of a third rotor 58 causes the piston 50 to be moved in relation to the third rotor 58.

15 Preferably, the user can feel the vibration of the motor 54 and the associated drive mechanism 42 and/or hear them in operation. In this way an added degree of confidence in the fact of the operation of the injector 2 is provided to the user.

The functionality of a pen-type injector in accordance with the present invention will now
20 be described, in particular with reference to Figures 1, 2 and 3.

The injector 2 is provided with an electronic control unit. The electronic control unit is coupled both to the drive mechanism and a user interface. The user interface includes the display panel 10 as well as the user operable buttons (and associated contacts). The
25 electronic control unit is microprocessor based. Either volatile or non-volatile memory may be used for storage of 'dose history' and patient specific information.

The electronic control unit is preferably powered from the injector power source 38.

5

The injector 2 preferably also includes a port for communication between the electronic control unit and an external apparatus such as a personal computer.

5 The injector 2 also has a priming detection facility, (such as a tilt switch or accelerometer) to identify when the injector 2 is inverted. On detection of an inverted position (needle up) the injector 2 will automatically change state to be ready for priming. Priming may be initiated by depression of the primer button 26 to cause a fixed small dispense action. The electronic control unit may cause a speaker to sound when the primer button 26 is depressed.

10

The primer button 26 is inactive at all other times. When the primer button 26 is active, all other buttons in the control panel region are inactive, that is those buttons which are to be used to set or dispense a dose.

15 The electronic control unit may cause a speaker to sound when the arm button 16 is depressed for a sufficient period of time to provide audible feedback for the user.

The function of the arm button 16 is to make the dispense button 18 active. The arm button is preferably held down for a predetermined period of time before the injector 2 becomes armed. The armed status may additionally be shown on the display panel 10. 20 The functionality of the arm button is preferably linked to the cover detection switch 28 such that the arm button 16 will only function to arm the injector 2 when the cover 6 is not present.

25 Additionally, in a preferred embodiment, a clock within the electronic control unit will detect whether the dispense button 18 has been pressed within a specified time interval following arming of the injector 2. If the dispense button 18 has not been depressed within the specified time interval the electronic control unit will disarm the injector 2. Alternatively, if the arm button is depressed a second time within a predetermined time 30 period by the user, the injector will be disabled.

In an alternative embodiment, the dispense button 18 may function as both a prime button and the dose button. When the priming detector is actuated, by the injector 2 being oriented needle up, the dispense button 18 would change function to that of the prime
5 button of the previous embodiment.

The buttons of the injector 2 are preferably tactile in nature to provide sensory feedback to the user.

10 The display panel 10 is typically an LCD display and will provide alphanumeric and graphical information relating to the operation of the device. The display panel 10 preferably indicates the selected dose quantity, the previous dose quantity and the time elapsed since the previous dose was administered. Typically, the time elapsed since the previous dose is limited to a time period within the preceding 48 hours, though other time
15 periods are possible.

Additional information which may be displayed includes:

- that the injector is armed and ready to dispense (graphical)
- that the injector is dispensing (graphical)
- 20 - that the injector has dispensed the selected dose and that a user should wait before removing the needle from their body
- that this waiting period has elapsed
- the dose history, typically for the last 48 hours, in terms of the dosage taken and the elapsed time between doses
- 25 - the quantity of medicament remaining in the cartridge, preferably in terms of dosage units of the medicament.
- that the device is in the priming position (either in addition to or instead of the acoustic indication noted above)
- the speaker volume setting, for example high, low or muted.

7

- that the injector is nearing the end of its life (for example a battery power level indication - graphical or countdown in terms of the number of days or complete operating cycles to a predetermined expiry of the product life - alphanumeric).

- that the needle is probably blocked

5 - that replacement of the cartridge 40 is in progress

- that the dose selected is the maximum available in the cartridge 40

- that the maximum dose available is less than the dose expected.

10 The display panel 10 may offer a user a choice of language options as appropriate for the market and/or user. The text displayed may include that noted above and/or further information. The language option may be pre-programmed or selectable by a user. The user may preferably select the language option by means of a menu provided on the display panel 10.

15 The currently selected dose value, the previously used dose value and the time (in hours) since the previous dose was dispensed, may all be shown clearly at the same time, in large, easy-to-read characters on the display. Preferably, the display is also provided with a backlight.

20 The display 10 preferably provides a graphical indication that the selected dose is being dispensed. This may be achieved, for example, as either an animated graphic or a countdown (or a combination of both).

25 The control buttons have a number of functions. The dose buttons 12,14 allow a user to select a desired dosage. The dose arm button 16 allows a user to confirm selection of a desired dosage. The first dose button can increment the dosage level and the second dose button can decrement the dosage level. The dose dialing buttons 12,14 may be pressed down (and held for a short time, 1-2 seconds) to re-set a dose value to zero. The user can then dial up (or down) in single (or half) increments.

30

The dose dialing buttons 12,14 are intended to be pressed once for a single (or half) increment in the selected dose value. In an alternative embodiment, pressing and holding one of the buttons will cause the dose value to start to scroll (up or down) in order to change the dose size more rapidly.

5

The dispense button 18 allows a user to initiate dispensing of the dosage. The primer button 26 dispenses a unit of dosage from the cartridge 40. Thus, if any air is trapped in the injector 2 this can be expelled by use of the primer button 26. A door release catch is provided to allow access to the cartridge 40.

10

Since the cartridge 40 is of a standard size, each cartridge 40 will be emptied by an identical travel of the plunger driven by the drive mechanism. Once the plunger 50 is in the fully extended position, the cartridge 40 is known to be empty and an indication of this will be provided to the user.

15

When the door release catch is operated for the emptied cartridge 40 to be removed the drive mechanism 42 is operated to reverse a lead screw 60 to withdraw the plunger 50 until the lead screw 60 strikes the end stop switch 52 which is provided at a known reference point.

20

When a new cartridge 40 is detected, for example by way of a contact switch (not shown), and the door release catch closed, the electronic control unit advances the lead screw 60 until the plunger 50 strikes the cartridge bung 48. This may conveniently be done by fitting a micro-switch 51, such as a dome contact switch to a free end of the plunger 50.

25

Since the exact position of the bung 48 can be calculated with reference to the rear end stop 52, a number of units of medicament stored within the cartridge 40 can be determined. Thus a half-empty or incorrectly filled cartridge 40 may be used with the injector 2 of the present invention. The electronic control unit having determined the

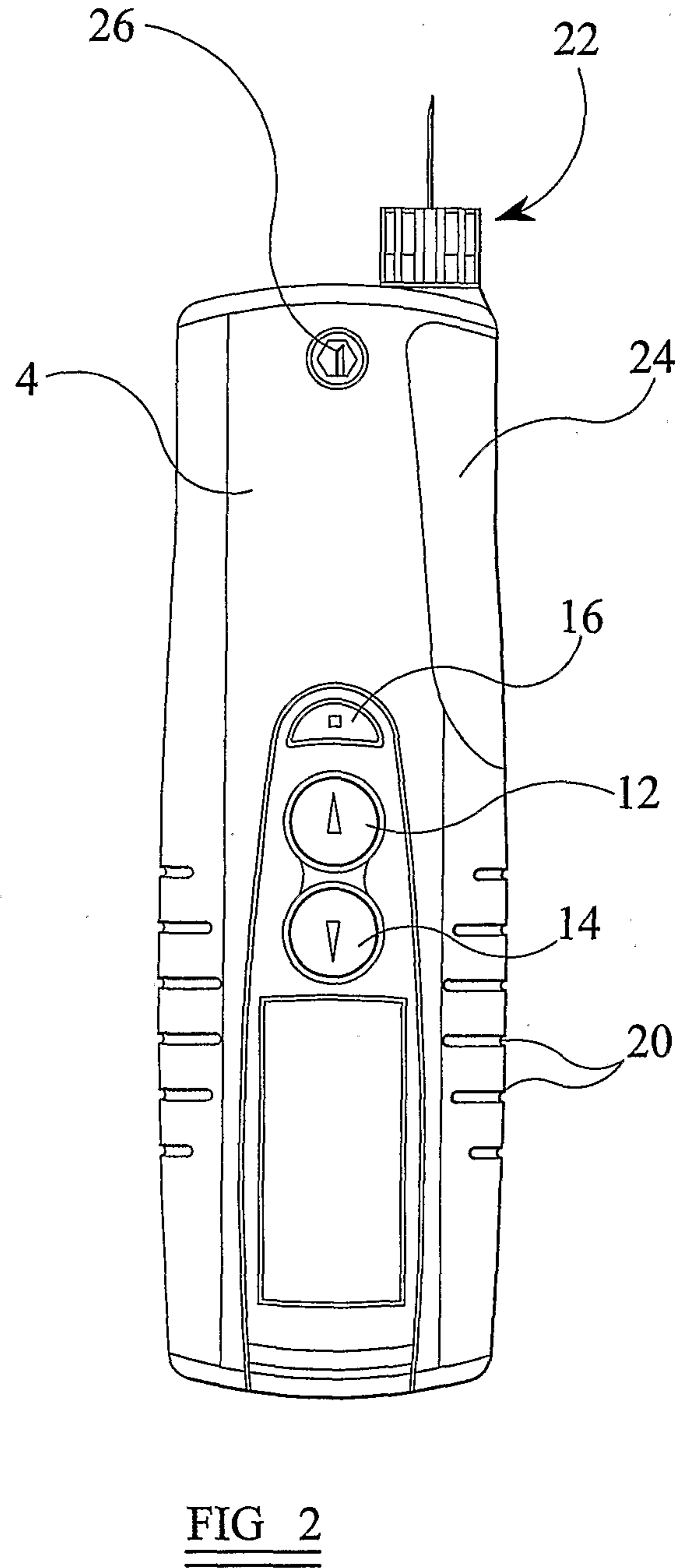
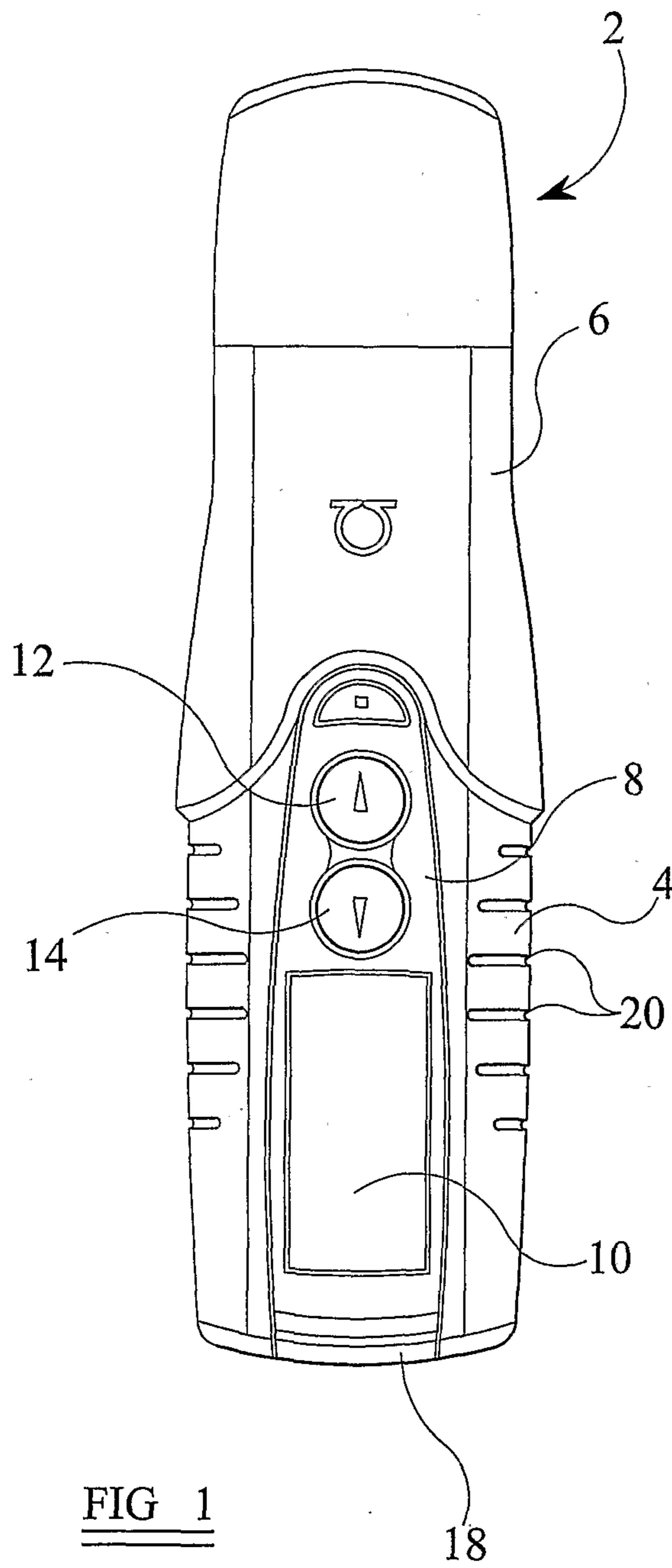
30

9

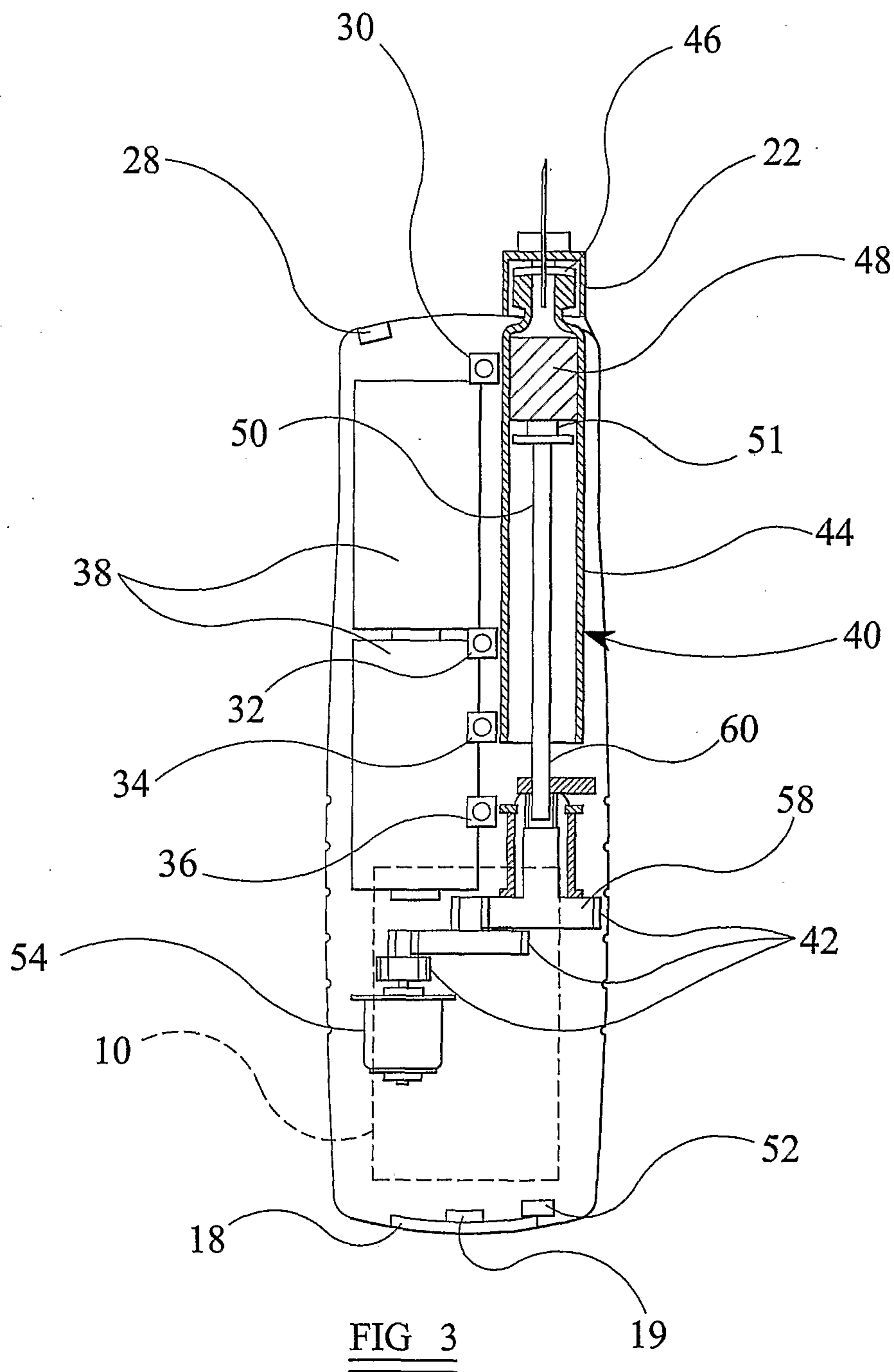
number of units stored within the cartridge preferably will not allow a dosage larger than that remaining to be dialed up for dispense.

CLAIMS:

1. An injection device for injection of a medicament from a medicament cartridge, the injection device comprising a main housing, a piston and an end stop switch in which access to the main housing for replacement of the medicament cartridge may only be obtained when the piston trips the end stop switch.
5
2. An injection device according to claim 1, characterised in that tripping of the end stop switch releases a catch or other fastening device to allow access to the main housing for replacement of the medicament cartridge.
10
3. An injection device according to claim 1 or claim 2, in which the injection device further comprises a drive mechanism to drive the piston, an electronic control unit and a door release catch characterised in that when door release catch is operated the electronic control unit operates the drive mechanism to withdraw the piston until the end stop switch is contacted.
15
4. An injection device according to claim 3 in which the injection device further comprises a contact switch to detect the presence or absence of a medicament cartridge, characterised in that upon detection of a new cartridge and closing of the door release catch, the electronic control unit operates the drive mechanism to advance the piston into contact with the new medicament cartridge.
20



2 / 3



3 / 3

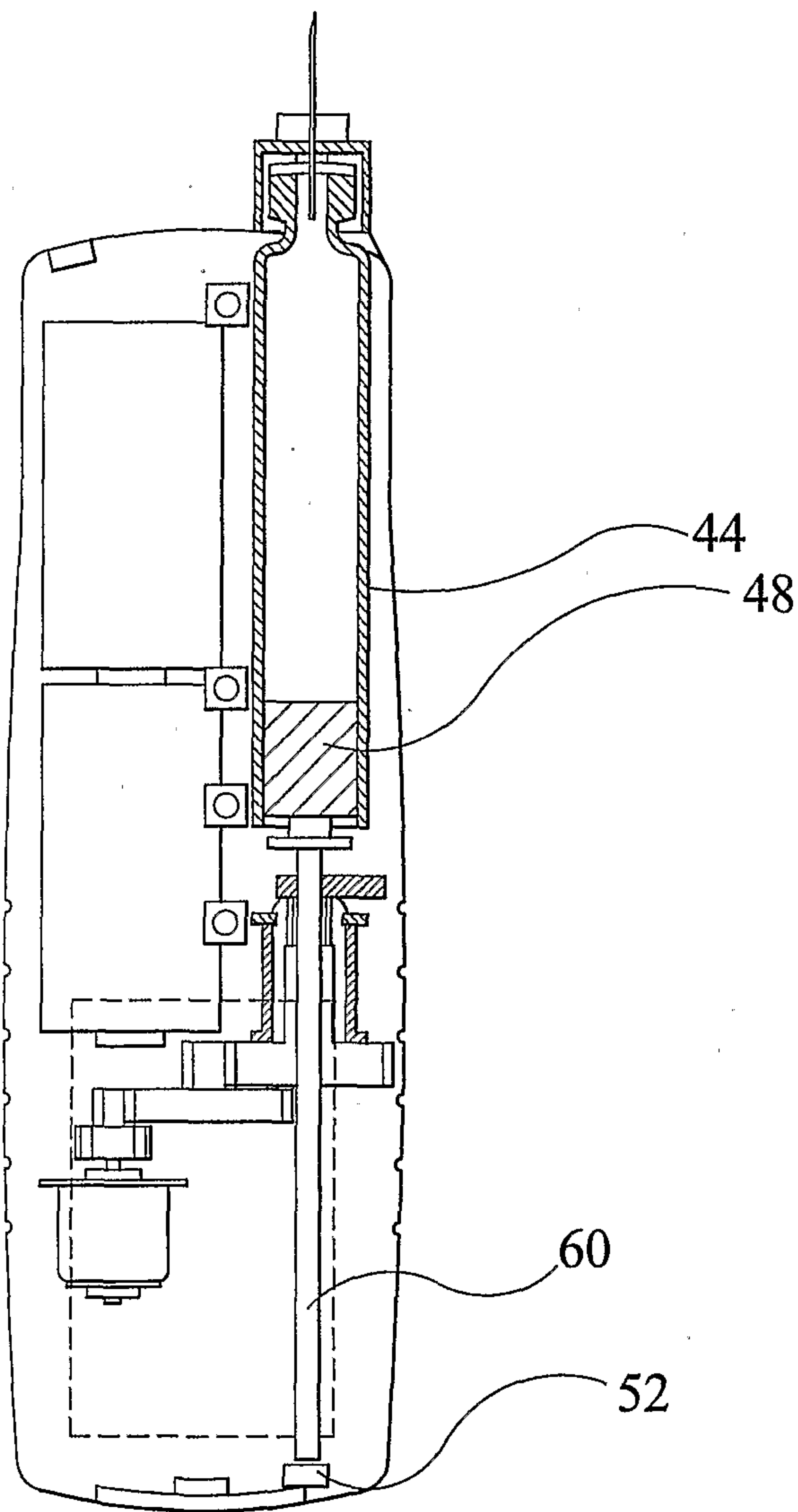


FIG 3A

