

(19) World Intellectual Property Organization
International Bureau



(43) International Publication Date
21 November 2002 (21.11.2002)

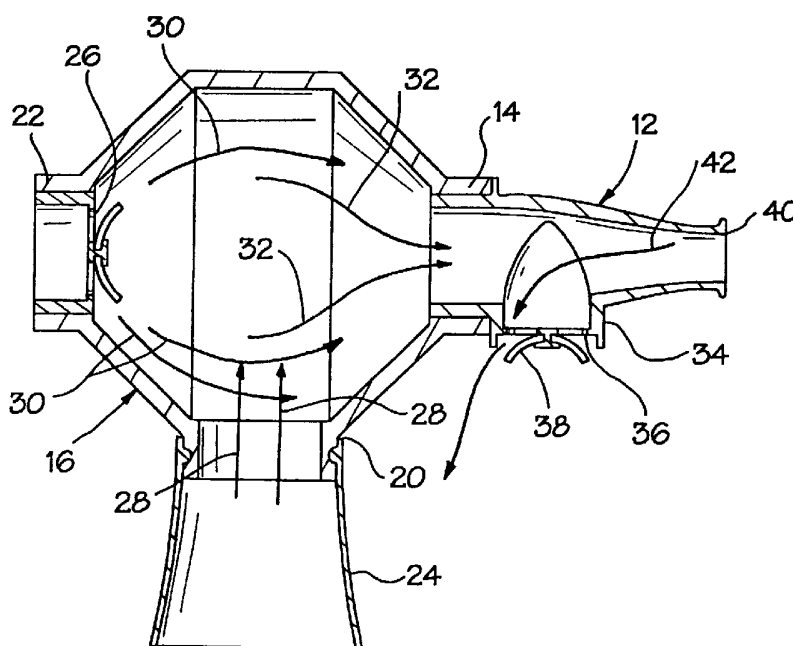
PCT

(10) International Publication Number
WO 02/092146 A3

- (51) International Patent Classification⁷: **A61M 16/10**
- (21) International Application Number: PCT/US02/15053
- (22) International Filing Date: 13 May 2002 (13.05.2002)
- (25) Filing Language: English
- (26) Publication Language: English
- (30) Priority Data:
09/855,403 15 May 2001 (15.05.2001) US
- (71) Applicant: **CLINICAL TECHNOLOGIES, INC.**
[US/US]; ONE CORPORATE CENTER, BROADVIEW HEIGHTS, OH 44147 (US).
- (72) Inventors: **JOHNSON, Robert**; 5453 Wallaby Street, Yucca Valley, CA 92284 (US). **DUBOSE, Robert**; P.O. Box 117, Oakland, OR 97462 (US).
- (74) Agent: **STOUT, Donald, E.**; Stout, Uxa, Buyan & Mullins, 4 Venture, Suite 300, Irvine, CA 92618 (US).
- (81) Designated States (*national*): AE, AG, AL, AM, AT, AU, AZ, BA, BB, BG, BR, BY, BZ, CA, CH, CN, CO, CR, CU, CZ, DE, DK, DM, DZ, EC, EE, ES, FI, GB, GD, GE, GH, GM, HR, HU, ID, IL, IN, IS, JP, KE, KG, KP, KR, KZ, LC, LK, LR, LS, LT, LU, LV, MA, MD, MG, MK, MN, MW, MX, MZ, NO, NZ, OM, PH, PL, PT, RO, RU, SD, SE, SG, SI, SK, SL, TJ, TM, TN, TR, TT, TZ, UA, UG, UZ, VN, YU, ZA, ZM, ZW.
- (84) Designated States (*regional*): ARIPO patent (GH, GM, KE, LS, MW, MZ, SD, SL, SZ, TZ, UG, ZM, ZW), Eurasian patent (AM, AZ, BY, KG, KZ, MD, RU, TJ, TM), European patent (AT, BE, CH, CY, DE, DK, ES, FI, FR, GB, GR, IE, IT, LU, MC, NL, PT, SE, TR), OAPI patent (BF, BJ, CF, CG, CI, CM, GA, GN, GQ, GW, ML, MR, NE, SN, TD, TG).
- Published:
— with international search report
- (88) Date of publication of the international search report:
31 July 2003

[Continued on next page]

(54) Title: AEROSOL ENHANCEMENT DEVICE



(57) Abstract: An aerosol medication delivery apparatus (10) includes a fixed-volume holding chamber (18) which is constructed to allow for a uniformly mixed, concentrated bolus of medicated aerosol to be delivered with each breath. The device further includes a universal inlet (24) so that any standard small volume nebulizer, as well as any standard MDI may be utilized therewith. Also filtration (filter 36) can be added to address contaminated patient air and aerosol. A one-way valve (38) is positioned in the patient mouthpiece to help control the loss of aerosol and thereby reduce waste.



WO 02/092146 A3



For two-letter codes and other abbreviations, refer to the "Guidance Notes on Codes and Abbreviations" appearing at the beginning of each regular issue of the PCT Gazette.

INTERNATIONAL SEARCH REPORT

International application No.
PCT/US02/15053

| A. CLASSIFICATION OF SUBJECT MATTER | | |
|--|---|--|
| IPC(7) : A61M 16/10 US CL : 128/203.12 | | |
| According to International Patent Classification (IPC) or to both national classification and IPC | | |
| B. FIELDS SEARCHED | | |
| Minimum documentation searched (classification system followed by classification symbols) U.S. : 128/203.12, 200.14, 200.23, 200.24, 203.15, 204.18, 205.25 | | |
| Documentation searched other than minimum documentation to the extent that such documents are included in the fields searched | | |
| Electronic data base consulted during the international search (name of data base and, where practicable, search terms used) | | |
| C. DOCUMENTS CONSIDERED TO BE RELEVANT | | |
| Category * | Citation of document, with indication, where appropriate, of the relevant passages | Relevant to claim No. |
| X | US 5,099,833 A (MICHAELS) 31 MARCH 1992, entire document. | 19,20 |
| X | US 5,782,232 A (ROWLAND) 21 JULY 1998, entire document. | 14 |
| X | US 3,769,973 A (ESBENSHADE) 06 NOVEMBER 1973, entire document. | 10,11 |
| X | US 4,534,343 A (NOWACKI, et al.) 13 AUGUST 1985, entire document. | 14,15,17-19 |
| <input type="checkbox"/> Further documents are listed in the continuation of Box C. <input type="checkbox"/> See patent family annex. | | |
| * Special categories of cited documents: | | |
| "A" | document defining the general state of the art which is not considered to be of particular relevance | "T" later document published after the international filing date or priority date and not in conflict with the application but cited to understand the principle or theory underlying the invention |
| "E" | earlier application or patent published on or after the international filing date | "X" document of particular relevance; the claimed invention cannot be considered novel or cannot be considered to involve an inventive step when the document is taken alone |
| "L" | document which may throw doubts on priority claim(s) or which is cited to establish the publication date of another citation or other special reason (as specified) | "Y" document of particular relevance; the claimed invention cannot be considered to involve an inventive step when the document is combined with one or more other such documents, such combination being obvious to a person skilled in the art |
| "O" | document referring to an oral disclosure, use, exhibition or other means | "&" document member of the same patent family |
| "P" | document published prior to the international filing date but later than the priority date claimed | |
| Date of the actual completion of the international search 29 October 2002 (29.10.2002) | | Date of mailing of the international search report 03 APR 2003 |
| Name and mailing address of the ISA/US Commissioner of Patents and Trademarks Box PCT Washington, D.C. 20231 Facsimile No. (703)305-3230 | | Authorized officer Glenn K Dawson Telephone No. 703-308-0858 |