

(19) World Intellectual Property Organization
International Bureau



(43) International Publication Date
8 March 2007 (08.03.2007)

PCT

(10) International Publication Number
WO 2007/028043 A3

- (51) International Patent Classification:
A63G 21/18 (2006.01) A63G 21/00 (2006.01)
- (21) International Application Number:
PCT/US2006/034267
- (22) International Filing Date:
1 September 2006 (01.09.2006)
- (25) Filing Language: English
- (26) Publication Language: English
- (30) Priority Data:
60/713,705 2 September 2005 (02.09.2005) US
- (71) Applicant (for all designated States except US): WATER RIDE CONCEPTS INC. [US/US]; 305 W Austin St, New Braunfels, TX 78130-4113 (US).
- (72) Inventors; and
- (75) Inventors/Applicants (for US only): HENRY, Jeffery, Wayne [US/US]; 777 Cloud Lane, New Braunfels, TX

- 78130 (US). SCHOOLEY, John, Timothy [US/US]; 3719 Fall Grove, Houston, TX 77059 (US).
- (74) Agent: MEYERTONS, HOOD, KIVLIN, KOWERT & GOETZEL, P.C.; MEYERTONS, ERIC, B., P.O. Box 398, Austin, TX 78767-0398 (US).
- (81) Designated States (unless otherwise indicated, for every kind of national protection available): AE, AG, AL, AM, AT, AU, AZ, BA, BB, BG, BR, BW, BY, BZ, CA, CH, CN, CO, CR, CU, CZ, DE, DK, DM, DZ, EC, EE, EG, ES, FI, GB, GD, GE, GH, GM, HN, HR, HU, ID, IL, IN, IS, JP, KE, KG, KM, KN, KP, KR, KZ, LA, LC, LK, LR, LS, LT, LU, LV, LY, MA, MD, MG, MK, MN, MW, MX, MY, MZ, NA, NG, NI, NO, NZ, OM, PG, PH, PL, PT, RO, RS, RU, SC, SD, SE, SG, SK, SL, SM, SV, SY, TJ, TM, TN, TR, TT, TZ, UA, UG, US, UZ, VC, VN, ZA, ZM, ZW.
- (84) Designated States (unless otherwise indicated, for every kind of regional protection available): ARIPO (BW, GH, GM, KE, LS, MW, MZ, NA, SD, SL, SZ, TZ, UG, ZM, ZW), Eurasian (AM, AZ, BY, KG, KZ, MD, RU, TJ, TM), European (AT, BE, BG, CH, CY, CZ, DE, DK, EE, ES, FI,

[Continued on next page]

(54) Title: AMUSEMENT WATER RIDES INVOLVING INTERACTIVE USER ENVIRONMENTS

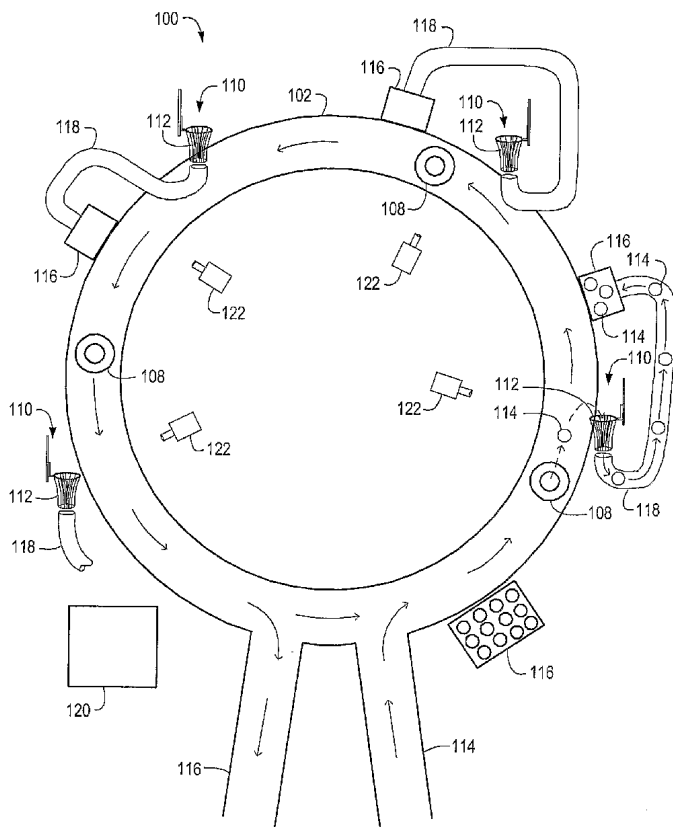


FIG. 15

(57) Abstract: An interactive water amusement ride may include a water amusement ride, a competition area located in the water amusement ride, and a participant identifier coupled to a participant in the water amusement ride. The participant may participate in a competition in the competition area. An automated system assesses a status of the participant in the competition. In some embodiments, an automated system for an interactive water amusement ride includes sensors coupled to a competition area. The sensors may detect participant identifiers in the competition area. The sensors may be coupled to a control system. The control system may assess a status of each participant individually and/or a status of the teams in the competition area. Status of participants and/or teams in the competition area may be displayed on a display (e.g., a Scoreboard) located at or near the competition area.

WO 2007/028043 A3



FR, GB, GR, HU, IE, IS, IT, LT, LU, LV, MC, NL, PL, PT,
RO, SE, SI, SK, TR), OAPI (BF, BJ, CF, CG, CI, CM, GA,
GN, GQ, GW, ML, MR, NE, SN, TD, TG).

(88) Date of publication of the international search report:
4 June 2009

Published:

— *with international search report*

INTERNATIONAL SEARCH REPORT

International application No.

PCT/US06/34267

A. CLASSIFICATION OF SUBJECT MATTER
 IPC: **A63G 21/18**(2006.01)
 A63G 21/00(2006.01)

 USPC: 472/117
 According to International Patent Classification (IPC) or to both national classification and IPC

B. FIELDS SEARCHED

Minimum documentation searched (classification system followed by classification symbols)
 U.S. : 472/117, 116, 128, 129, 13; 463/7, 52, 63; 473/466, 479, 483; 273/357, 394, 399

Documentation searched other than minimum documentation to the extent that such documents are included in the fields searched

Electronic data base consulted during the international search (name of data base and, where practicable, search terms used)

C. DOCUMENTS CONSIDERED TO BE RELEVANT

Category *	Citation of document, with indication, where appropriate, of the relevant passages	Relevant to claim No.
X --- Y	US 5,785,592 A (JACOBSEN) 28 July 1998 (28.07.1998), see the drawings and columns 1-6.	1-7, 11-14, 17-20, 22-25, 29, and 34-71 ----- 8, 9, 15, 16, 21, 26-28; 30-33
Y	US 6,113,506 A (NIELSEN) 05 September 2000 (05.09.2000), see Fig. 1 and column 2.	8, 9, 10, 30-32
Y	US 5,499,821 A (RYCROFT) 19 March 1996 (19.03.1996), see Fig. 1 and column 2.	15, 16, 33
Y	US 6,634,949 A (BRIGGS) 21 October 2003 (21.10.2003), see column 10, lines 64-67.	21
Y	US 5,704,294 A (VAN WINKLE) 06 January 1998 (06.01.1998), see the drawings and column 4.	26-28

Further documents are listed in the continuation of Box C. See patent family annex.

* Special categories of cited documents:	
"A" document defining the general state of the art which is not considered to be of particular relevance	"T" later document published after the international filing date or priority date and not in conflict with the application but cited to understand the principle or theory underlying the invention
"E" earlier application or patent published on or after the international filing date	"X" document of particular relevance; the claimed invention cannot be considered novel or cannot be considered to involve an inventive step when the document is taken alone
"L" document which may throw doubts on priority claim(s) or which is cited to establish the publication date of another citation or other special reason (as specified)	"Y" document of particular relevance; the claimed invention cannot be considered to involve an inventive step when the document is combined with one or more other such documents, such combination being obvious to a person skilled in the art
"O" document referring to an oral disclosure, use, exhibition or other means	"&" document member of the same patent family
"P" document published prior to the international filing date but later than the priority date claimed	

Date of the actual completion of the international search 19 June 2008 (19.06.2008)	Date of mailing of the international search report 07 JUL 2008
Name and mailing address of the ISA/US Mail Stop PCT, Attn: ISA/US Commissioner for Patents P.O. Box 1450 Alexandria, Virginia 22313-1450 Facsimile No. (571) 273-3201	Authorized officer <i>KIEN T. NGUYEN</i> Telephone No. (571) 272-3750