



US00D836588S

(12) **United States Design Patent** (10) **Patent No.:** **US D836,588 S**  
**Cha et al.** (45) **Date of Patent:** **\*\* Dec. 25, 2018**

(54) **TELEVISION RECEIVER**

(56) **References Cited**

(71) Applicant: **LG ELECTRONICS INC.**, Seoul (KR)

U.S. PATENT DOCUMENTS

(72) Inventors: **Hyunbyung Cha**, Seoul (KR);  
**Yoonkyeong Lee**, Seoul (KR);  
**Youngwon Jeong**, Seoul (KR);  
**Byungmu Huh**, Seoul (KR)

D660,815	S	*	5/2012	Itou	.....	D14/126
D666,165	S	*	8/2012	Kim	.....	D14/126
D675,175	S	*	1/2013	Kim	.....	D14/126
D691,102	S	*	10/2013	Park	.....	D14/126
D699,699	S	*	2/2014	Park	.....	D14/126
D725,616	S	*	3/2015	Oh	.....	D14/126
D746,243	S	*	12/2015	Gao	.....	D14/126
D758,983	S	*	6/2016	Kim	.....	D14/126
D763,213	S	*	8/2016	Ann	.....	D14/126
D796,463	S	*	9/2017	So	.....	D14/126
D796,465	S	*	9/2017	Kim	.....	D14/126
D808,353	S	*	1/2018	Lee	.....	D14/126

(73) Assignee: **LG ELECTRONICS INC.**, Seoul (KR)

(\*\*) Term: **15 Years**

\* cited by examiner

(21) Appl. No.: **35/503,194**

*Primary Examiner* — Michael A. Pratt

(22) Filed: **Dec. 12, 2016**

(74) *Attorney, Agent, or Firm* — Birch, Stewart, Kolasch & Birch, LLP

(80) **Hague Agreement Data**

Int. Filing Date: **Dec. 12, 2016**  
Int. Reg. No.: **DM/093969**  
Int. Reg. Date: **Dec. 12, 2016**  
Int. Reg. Pub. Date: **Jun. 16, 2017**

(57) **CLAIM**

The ornamental design for television receiver, as shown and described.

(30) **Foreign Application Priority Data**

Jun. 14, 2016 (KR) ..... 30-2016-0028715

**DESCRIPTION**

(51) **LOC (11) Cl.** ..... **14-03**

(52) **U.S. Cl.**  
USPC ..... **D14/126**

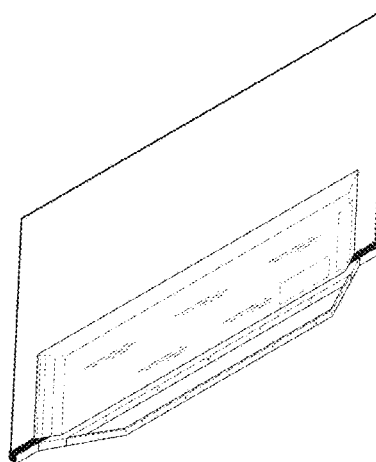
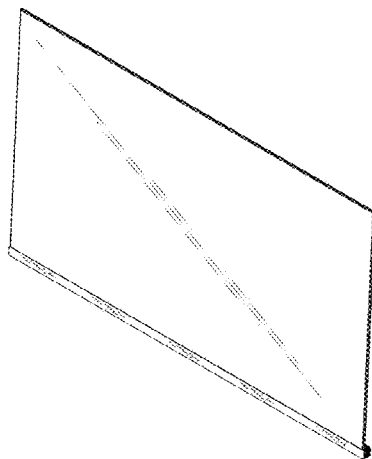
(58) **Field of Classification Search**  
USPC ..... D14/126, 127, 128, 336, 448  
CPC .. H05K 5/0017; H05K 5/0204; G06F 1/1692;  
G06F 1/165; G06F 1/1601; G06F 1/1637;  
H04N 5/64

- 1. Television receiver
- 1.1 : Perspective
- 1.2 : Rear perspective view
- 1.3 : Front
- 1.4 : Back
- 1.5 : Left
- 1.6 : Right
- 1.7 : Top
- 1.8 : Bottom
- 1.9 : Enlarged
- 1.10 : Enlarged

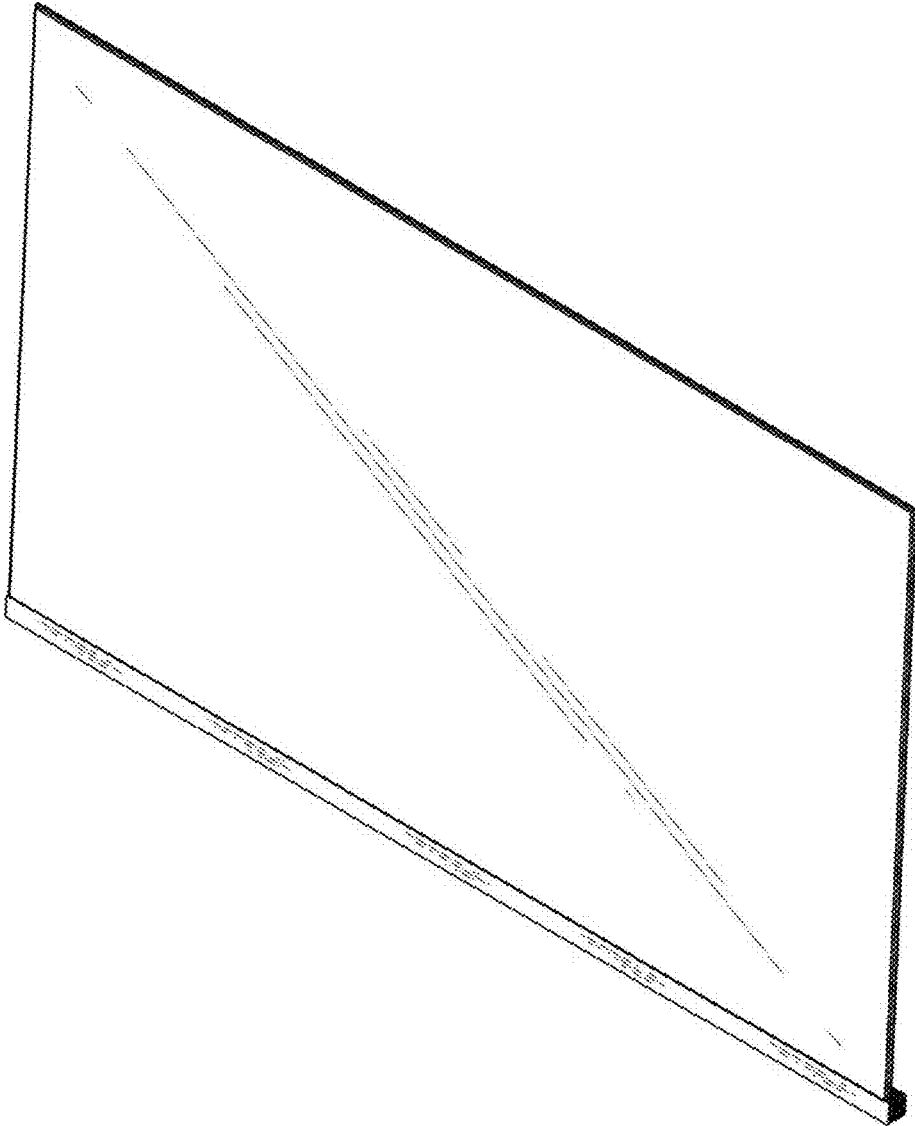
The broken lines shown in figures 1.2, 1.4 and 1.5 are for the purpose of illustrating portions of the television receiver that form no part of the claimed design.

See application file for complete search history.

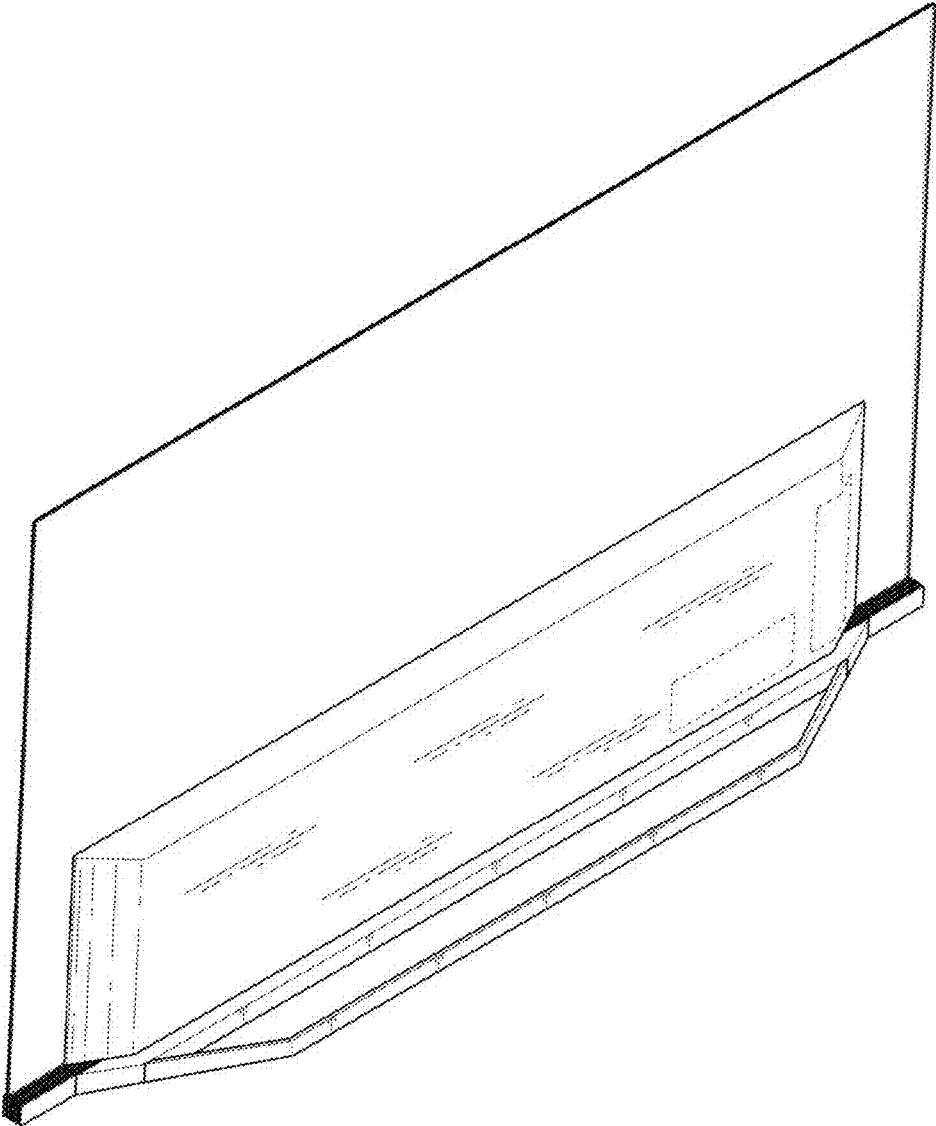
**1 Claim, 10 Drawing Sheets**



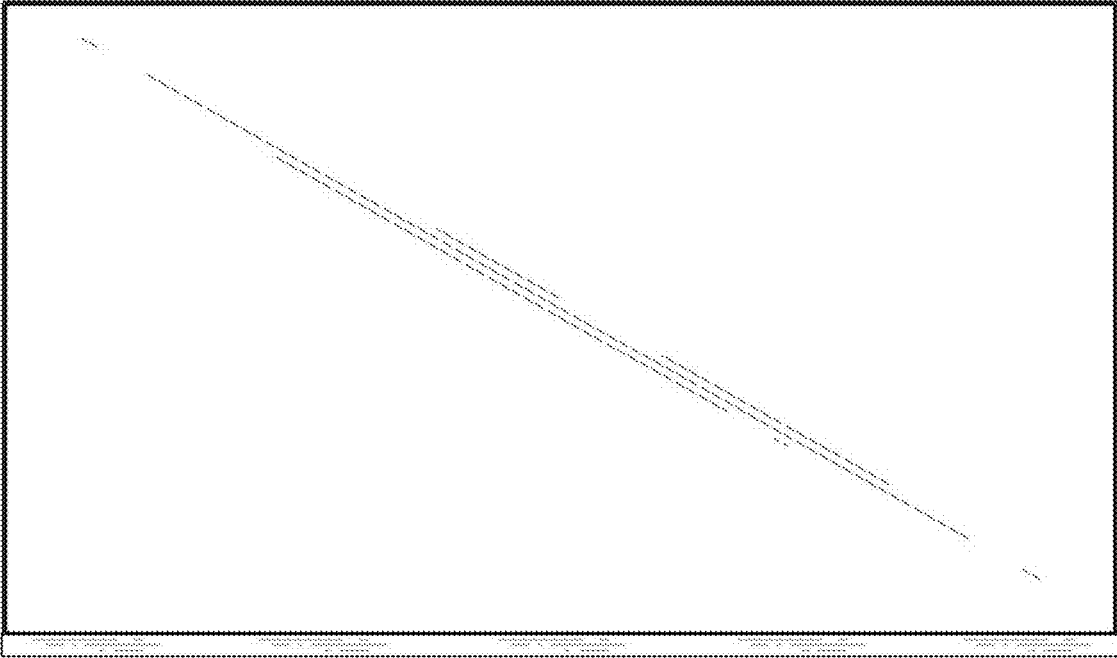
1.1



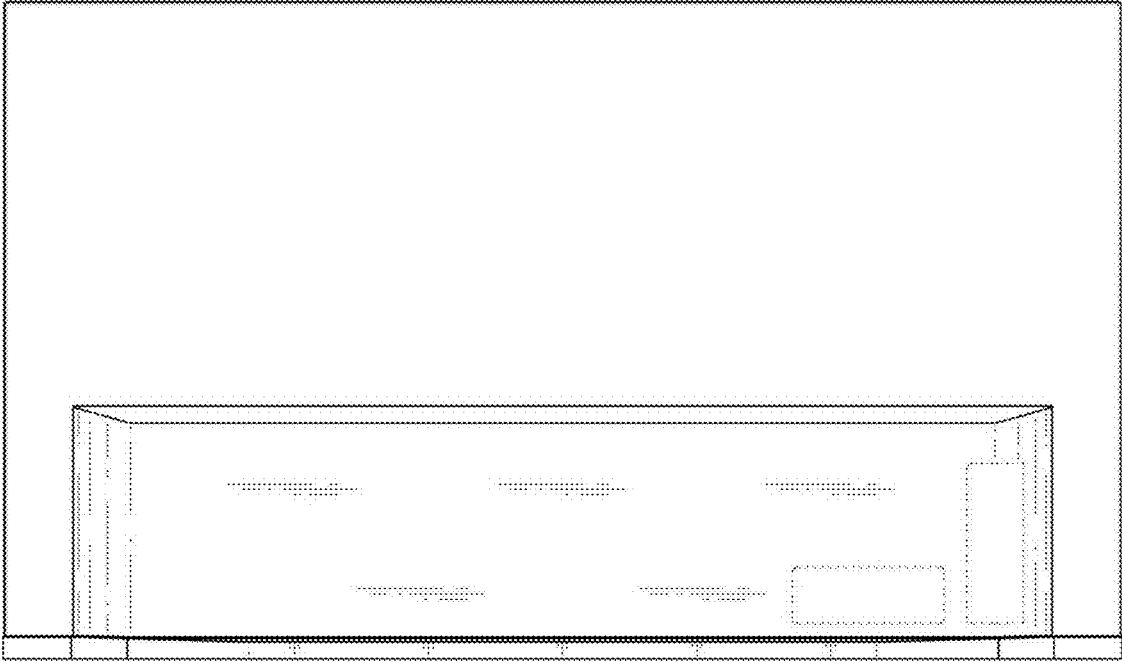
1.2



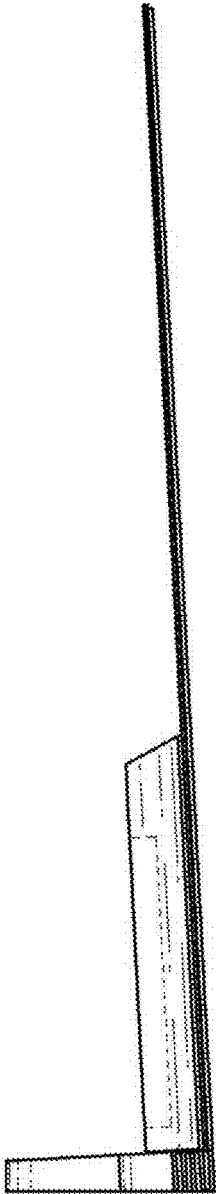
1.3



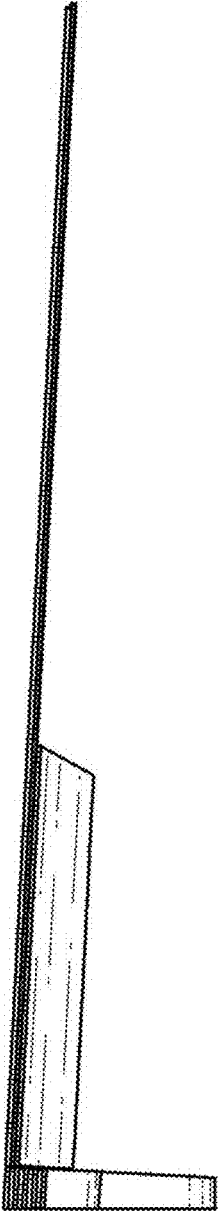
1.4



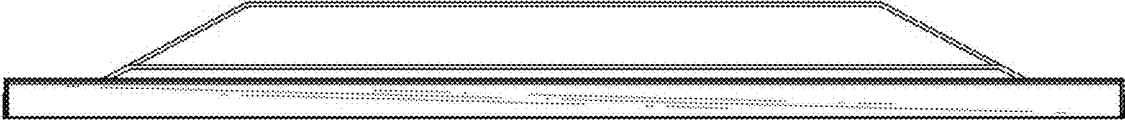
1.5



1.6

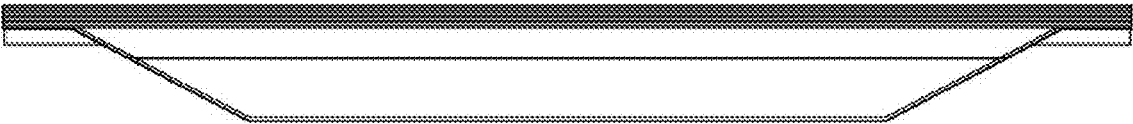


1.7

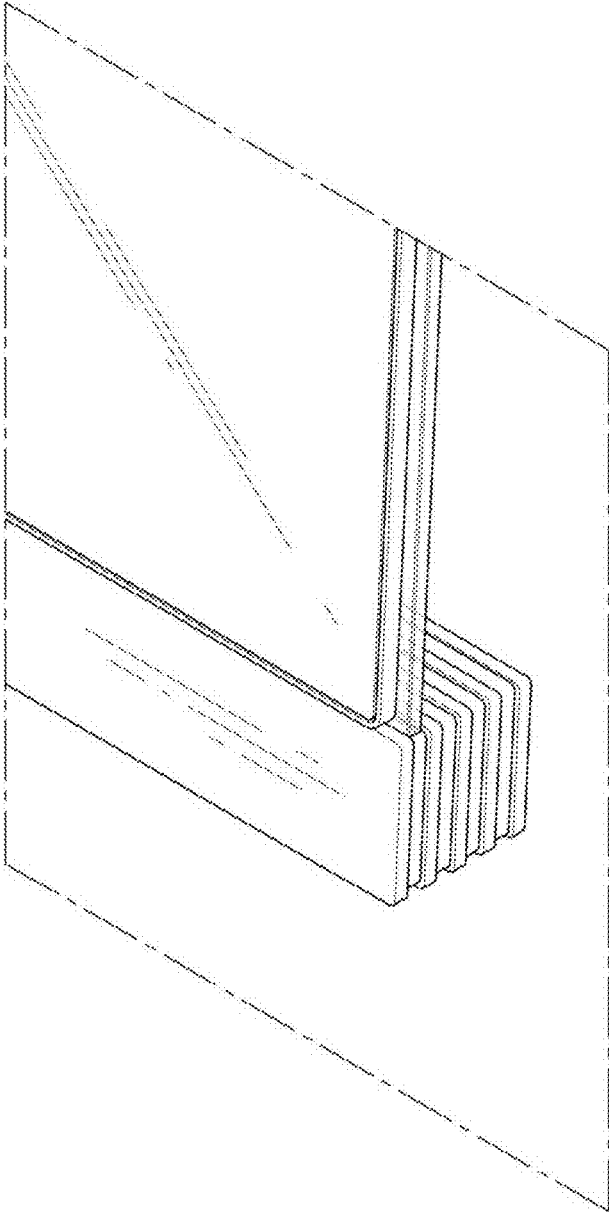




1.8



1.9



1.10

