



US00D963455S

(12) **United States Design Patent**
Lan

(10) **Patent No.:** **US D963,455 S**

(45) **Date of Patent:** **** Sep. 13, 2022**

- (54) **HAMMER**
- (71) Applicant: **Xiamen BeiJiaXing Trading Co., Ltd.**,
Xiamen (CN)
- (72) Inventor: **Hanglong Lan**, Xiamen (CN)
- (73) Assignee: **Xiamen BeiJiaXing Trading Co., Ltd.**,
Xiamen (CN)
- (**) Term: **15 Years**
- (21) Appl. No.: **29/777,160**
- (22) Filed: **Apr. 2, 2021**

D620,337 S *	7/2010	Nuttall	D8/81
D653,095 S *	1/2012	Onello	B25D 1/02 D8/77
D687,690 S *	8/2013	Chen	D8/107
D752,939 S *	4/2016	Goldy	D8/81
D779,906 S *	2/2017	Kraljic	D8/77
D846,366 S *	4/2019	Kraljic	D8/77
D888,525 S *	6/2020	Montoli	B60C 29/00 D8/77
D904,606 S *	12/2020	Gloess	B25D 1/14 D24/133
D929,840 S *	9/2021	Chen	B25D 1/02 D8/77
2004/0165375 A1 *	8/2004	Kirchner	B25D 1/02 362/119
2006/0112789 A1 *	6/2006	Hopper	B25D 1/14 81/22

(30) **Foreign Application Priority Data**

Oct. 16, 2020 (CN) 202030616633.1

(51) **LOC (13) CL.** **08-02**

(52) **U.S. CL.**
USPC **D8/75; D8/77**

(58) **Field of Classification Search**
USPC D8/75, 76, 77, 78, 79, 80, 81, 105, 107
CPC ... B25D 1/00; B25D 1/02; B25D 1/04; B25D
1/045; B25D 1/06; B25D 1/10; B25D
1/12; B25G 1/102
See application file for complete search history.

(56) **References Cited**

U.S. PATENT DOCUMENTS

3,896,864 A *	7/1975	Green	B60C 29/00 81/19
D283,344 S *	4/1986	Leopoldi	B25G 1/01 D8/77
5,960,677 A *	10/1999	Carmien	B25D 1/12 81/22
6,467,376 B1 *	10/2002	Wu	B25G 1/01 81/22
D520,568 S *	5/2006	DeBoer	D8/81
7,291,116 B2 *	11/2007	Kirchner	B25D 1/02 600/553

* cited by examiner

Primary Examiner — Philip S Hyder

(74) *Attorney, Agent, or Firm* — ScienBiziP, P.C.

(57) **CLAIM**

The ornamental design for a hammer, as shown and described.

DESCRIPTION

FIG. 1 is a front, left, and top perspective view of a hammer, showing my design.

FIG. 2 is a front elevation view thereof.

FIG. 3 is a rear elevation view thereof.

FIG. 4 is a left side elevation view thereof.

FIG. 5 is a right side elevation view thereof.

FIG. 6 is a top plan view thereof.

FIG. 7 is a bottom plan view thereof; and,

FIG. 8 is an exploded view thereof.

The broken lines shown in the drawings are included for the purpose of illustrating portions of the hammer that form no part of the claimed design.

1 Claim, 8 Drawing Sheets

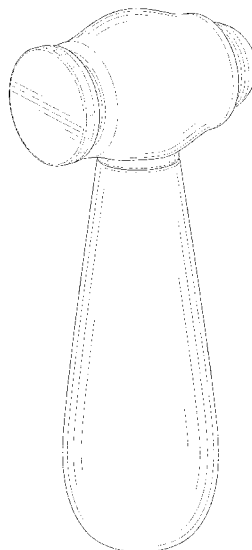




FIG. 1

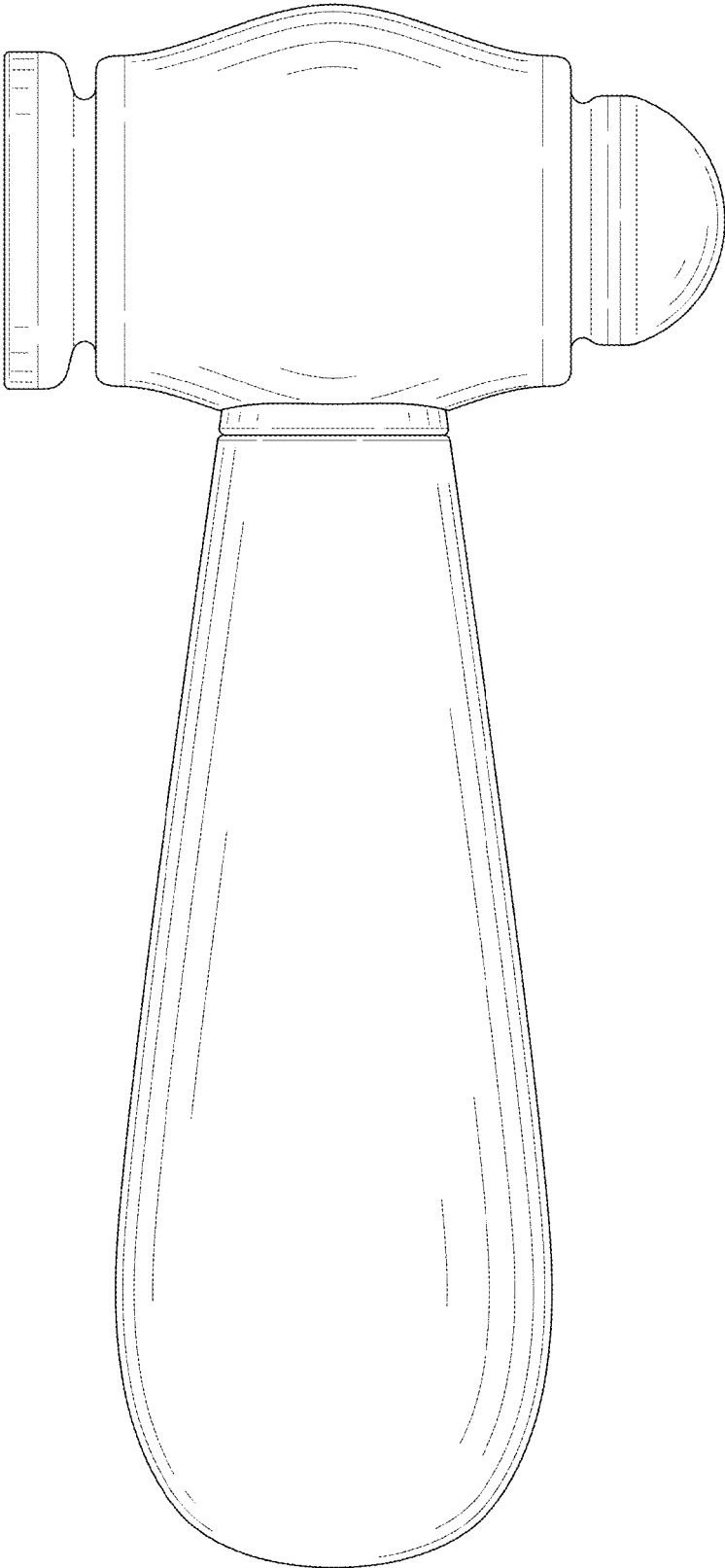


FIG. 2

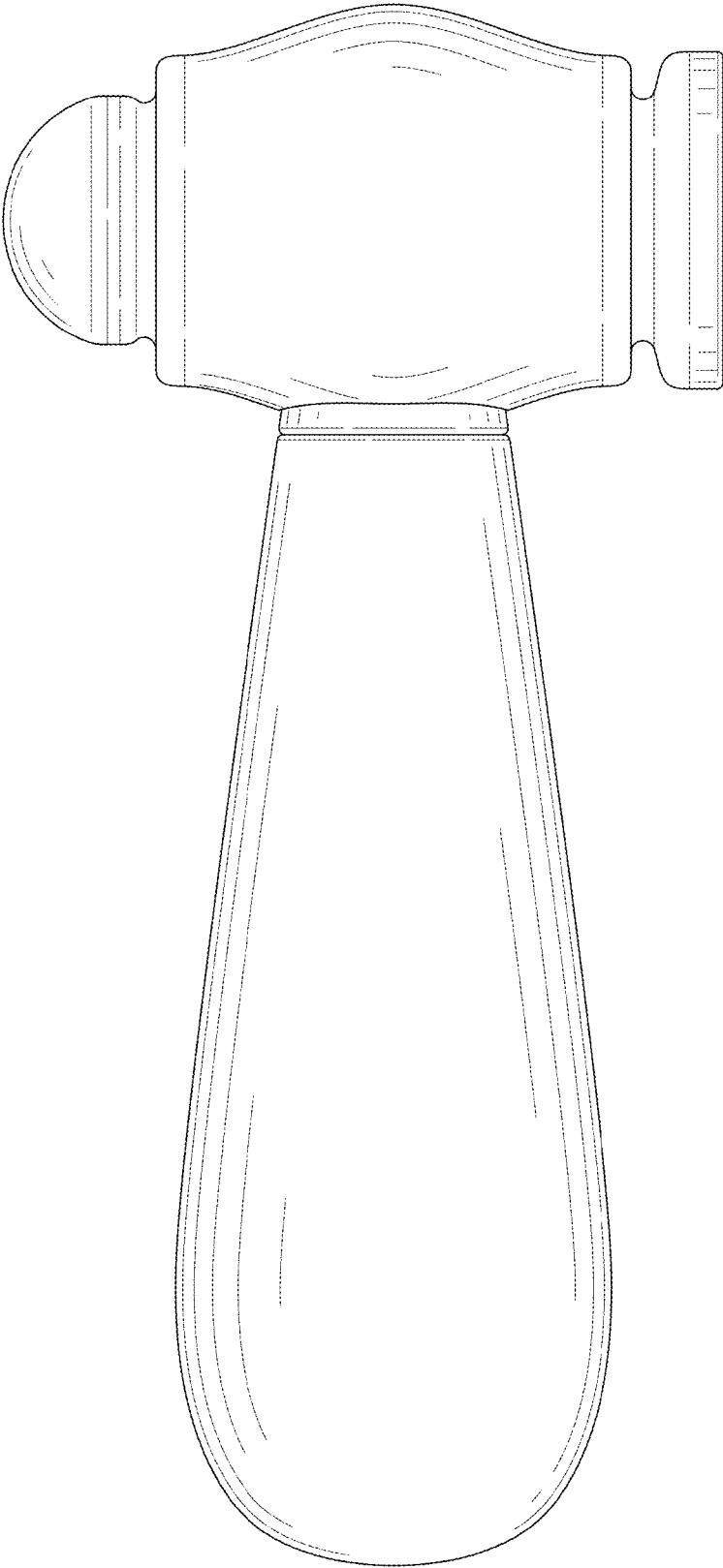


FIG. 3

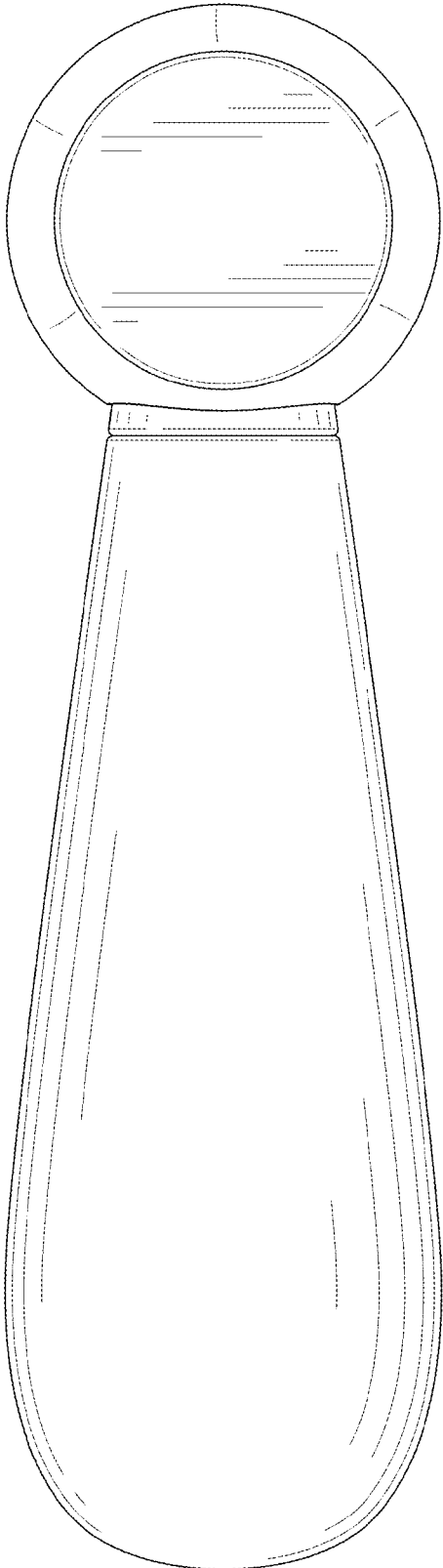


FIG. 4

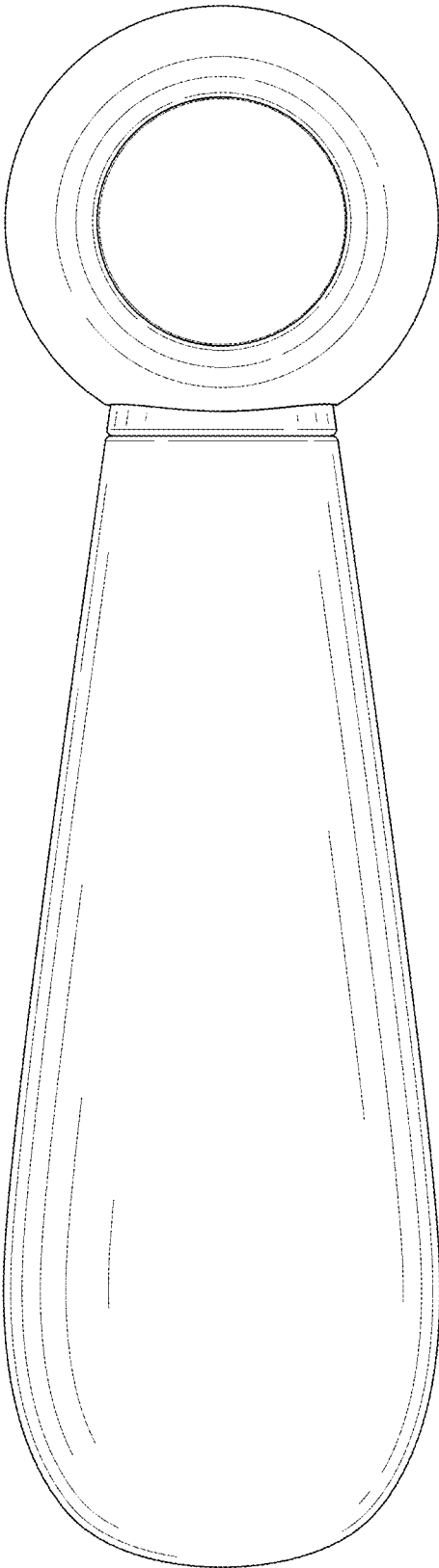


FIG. 5

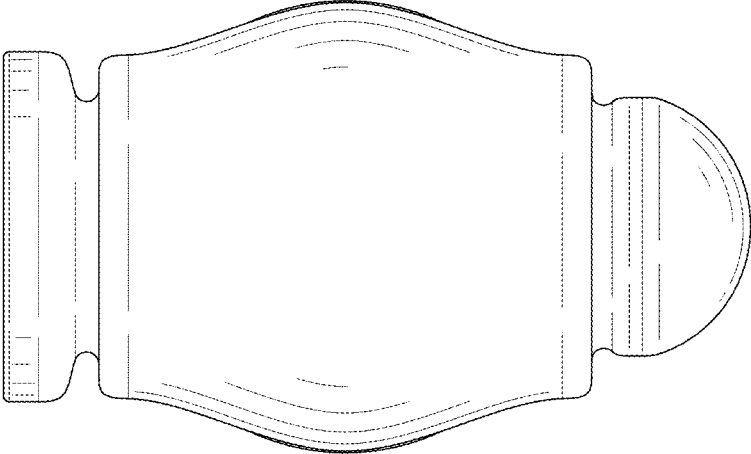


FIG. 6

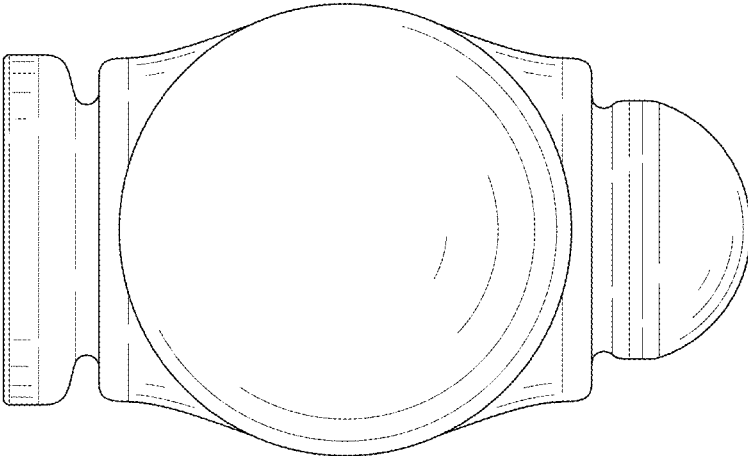


FIG. 7

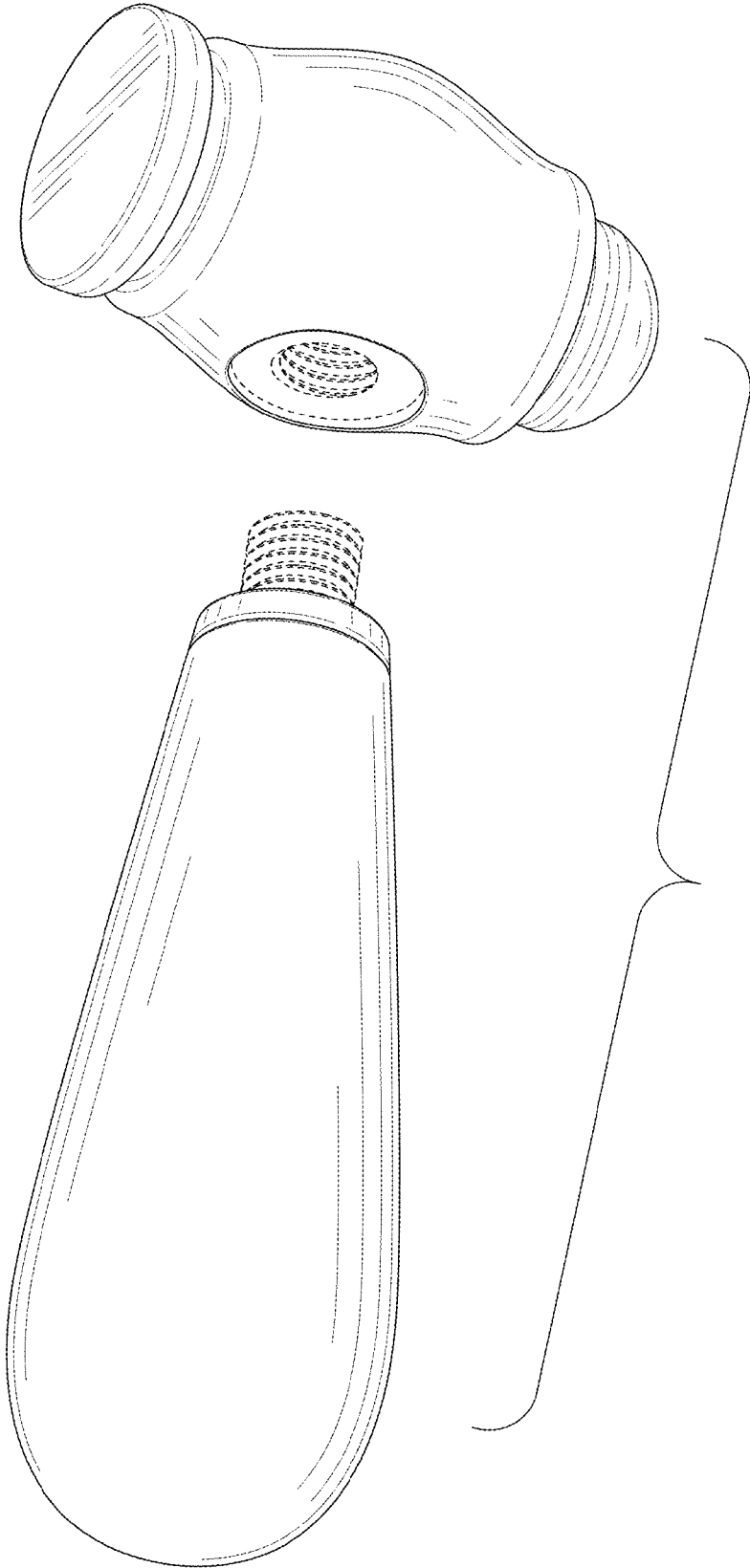


FIG. 8