



US00D897125S

(12) **United States Design Patent**  
**Baptiste**

(10) **Patent No.:** **US D897,125 S**

(45) **Date of Patent:** **\*\* Sep. 29, 2020**

(54) **FOLDABLE TOILET FOOTSTOOL**

(71) Applicant: **Bathroom Besties, LLC**, Russellville, KY (US)

(72) Inventor: **Ronald N Baptiste**, Russellville, KY (US)

(\*\*) Term: **15 Years**

(21) Appl. No.: **29/692,469**

(22) Filed: **May 24, 2019**

(51) **LOC (12) Cl.** ..... **06-01**

(52) **U.S. Cl.**  
USPC ..... **D6/353**

(58) **Field of Classification Search**  
USPC ..... D6/334-338, 340-343, 349-353, 355,  
D6/364-365, 691-691.9, 692-692.6,  
D6/716-716.1; D25/65  
CPC ..... A47B 7/00-02; A47C 11/00; A47C 12/00;  
A47C 13/00; A47C 16/00; A47C  
16/02-04; A47C 9/00-105; A47K 17/02;  
A47K 17/028  
See application file for complete search history.

(56) **References Cited**

**U.S. PATENT DOCUMENTS**

- 2,023,901 A \* 12/1935 Rhodes ..... A47K 17/028  
4/254
- D273,252 S \* 4/1984 Markson ..... D6/353
- D567,395 S \* 4/2008 Bishop ..... D25/65
- D652,222 S 1/2012 Edwards
- D665,180 S \* 8/2012 Ekelchik ..... D6/353
- D677,478 S 3/2013 Edwards
- D698,163 S 1/2014 Edwards
- D705,554 S 5/2014 Edwards
- 8,875,840 B2 \* 11/2014 Chancler ..... A47C 9/10  
182/33
- D738,126 S 9/2015 Edwards
- D764,189 S 8/2016 Edwards

- D766,604 S 9/2016 Edwards
- D767,291 S 9/2016 Edwards
- D787,845 S 5/2017 Edwards
- D797,466 S \* 9/2017 Zioni ..... D6/353
- D800,462 S 10/2017 Edwards
- D802,311 S \* 11/2017 Stricklin ..... D6/349
- 9,895,036 B2 2/2018 Edwards
- D813,560 S \* 3/2018 Zioni ..... D6/353
- 10,035,255 B2 \* 7/2018 Cindric ..... E06C 1/18

(Continued)

*Primary Examiner* — Vy N Koenig

(74) *Attorney, Agent, or Firm* — Kerrick Bachert; Laura M. Hagan

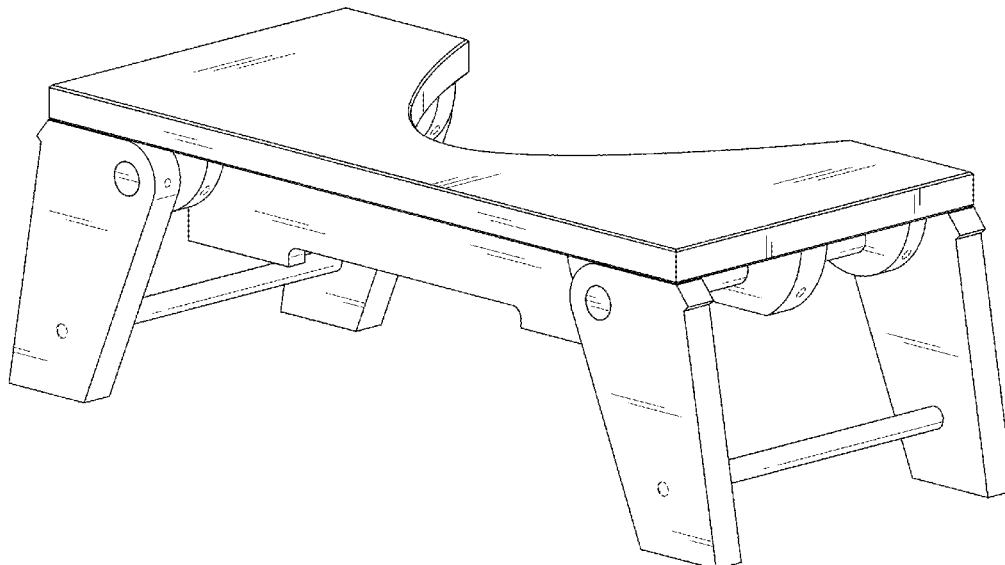
(57) **CLAIM**

The ornamental design for a foldable toilet footstool, as shown and described.

**DESCRIPTION**

FIG. 1 is a front perspective view of foldable toilet footstool showing my new design;  
 FIG. 2 is a bottom perspective view of the foldable toilet footstool;  
 FIG. 3 is another bottom perspective view of the foldable toilet footstool;  
 FIG. 4 is another bottom perspective view of the foldable toilet footstool;  
 FIG. 5 is a front elevation view of the foldable toilet footstool;  
 FIG. 6 is a back elevation view of the foldable toilet footstool;  
 FIG. 7 is a top plan view of the foldable toilet footstool;  
 FIG. 8 is a bottom plan view of the foldable toilet footstool;  
 FIG. 9 right side elevation view of the foldable toilet footstool; and,  
 FIG. 10 is a bottom perspective view of the foldable toilet footstool collapsed.  
 The broken lines in the drawings depict portions of the footstool that form no part of the claimed design.

**1 Claim, 10 Drawing Sheets**



(56)

**References Cited**

## U.S. PATENT DOCUMENTS

D828,047	S	9/2018	Edwards	
10,064,497	B2	9/2018	Edwards	
10,123,669	B2	11/2018	Edwards	
D840,166	S *	2/2019	Nethercott	..... D6/353
D847,521	S *	5/2019	Lisnic	..... D6/353
D873,040	S *	1/2020	Gupta	..... D6/349
2005/0029049	A1 *	2/2005	Moser	..... E04G 1/34 182/152
2010/0187041	A1 *	7/2010	Crouch	..... A47C 12/00 182/223
2014/0123376	A1	5/2014	Edwards et al.	
2015/0327739	A1	11/2015	Edwards	
2015/0327740	A1	11/2015	Edwards	
2017/0079442	A1	3/2017	Edwards	
2017/0340175	A1	11/2017	Edwards	
2018/0125310	A1	5/2018	Edwards et al.	

\* cited by examiner

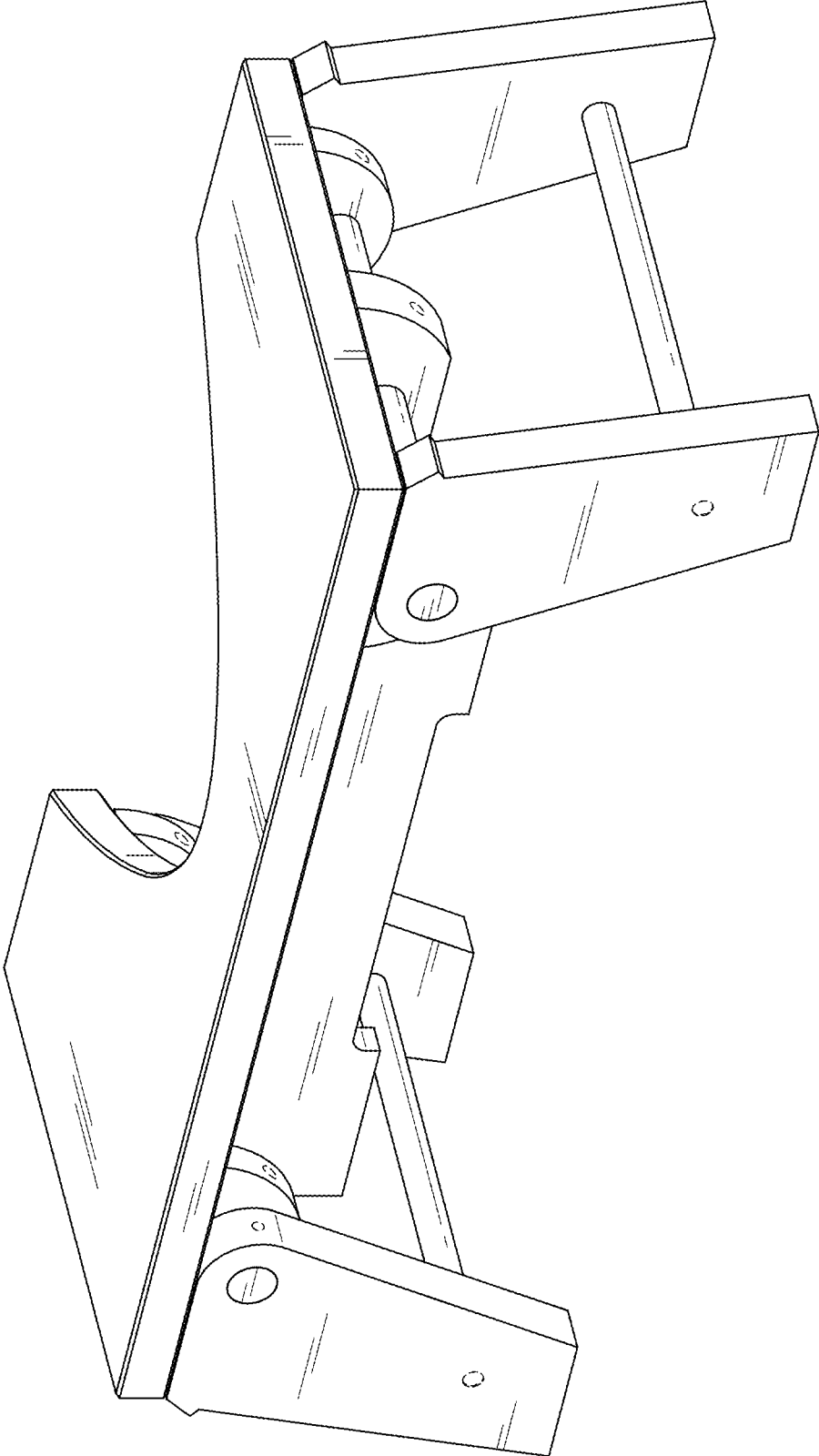


FIG. 1

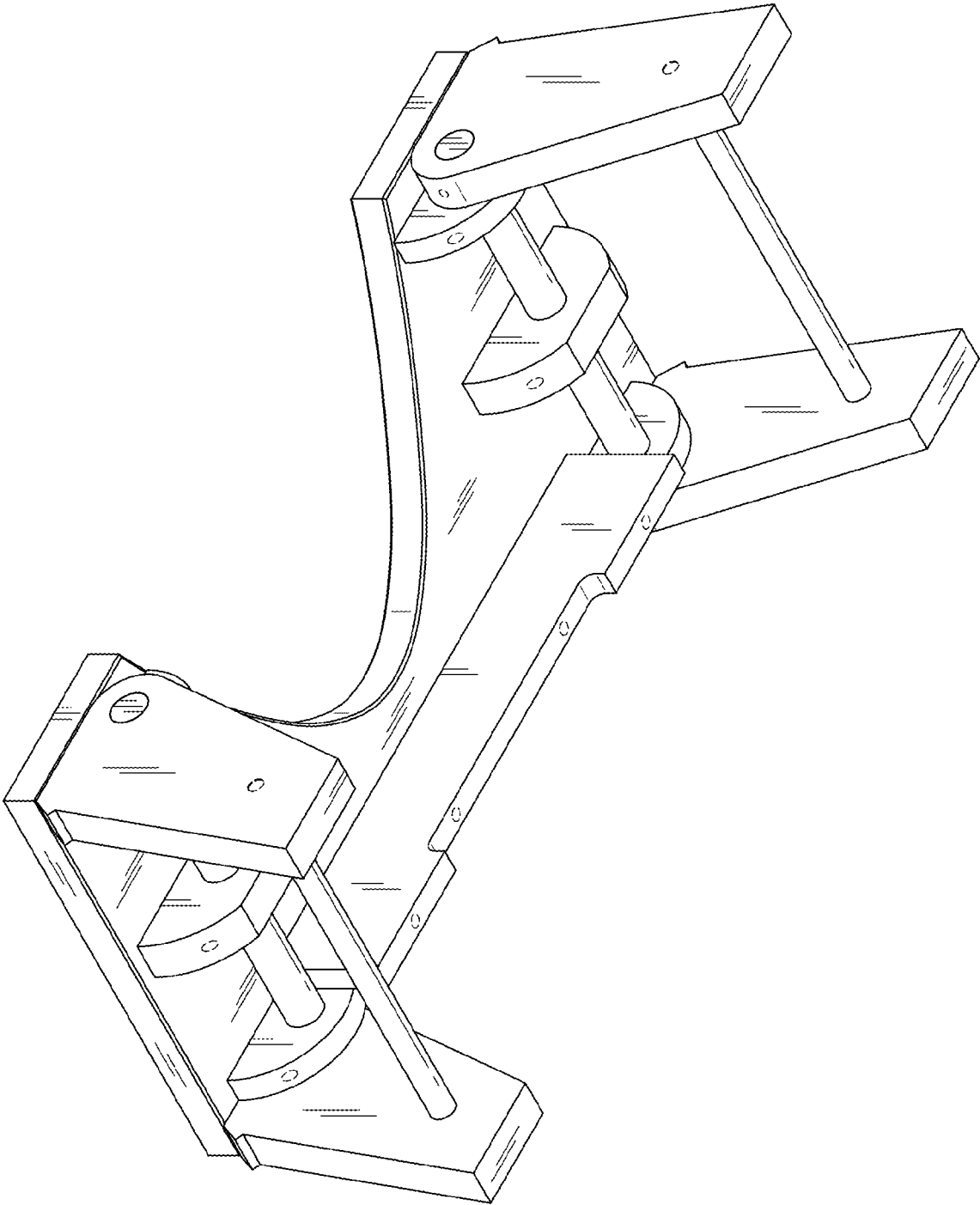


FIG. 2

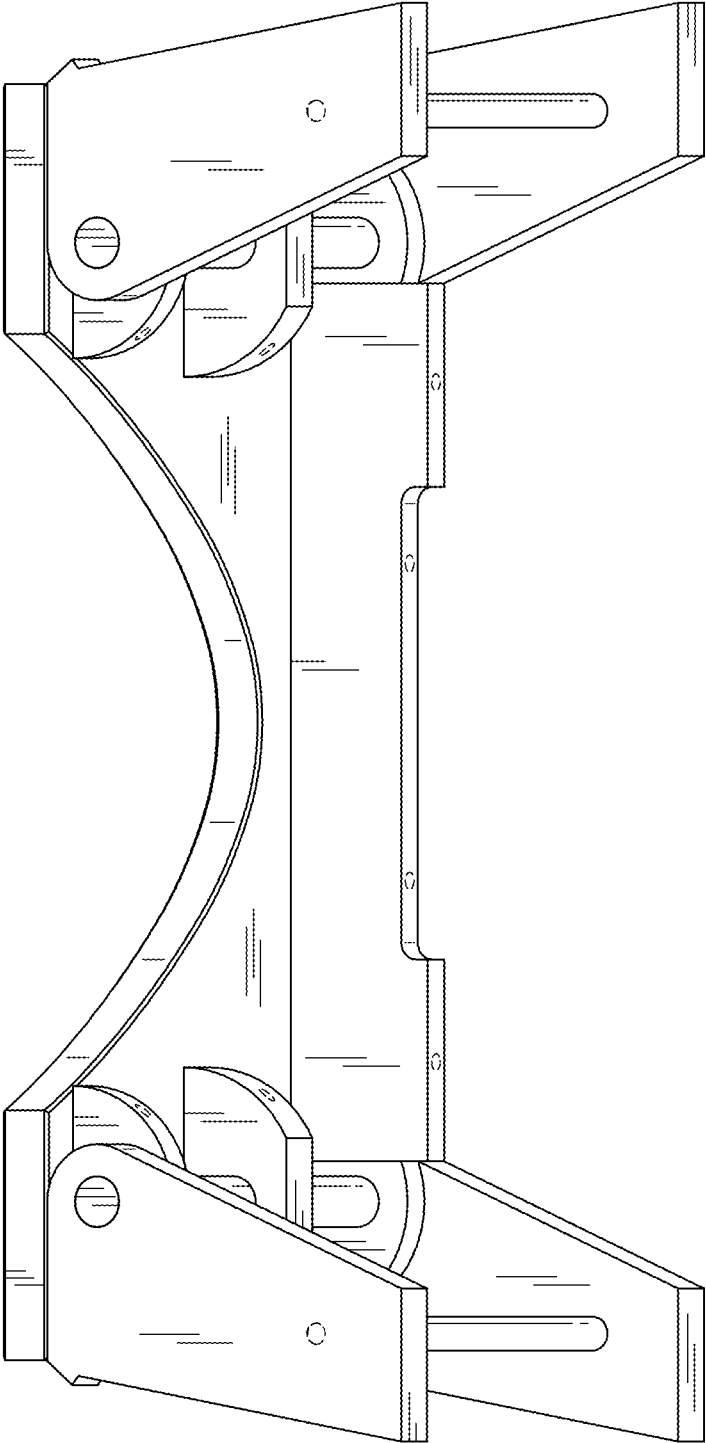


FIG. 3

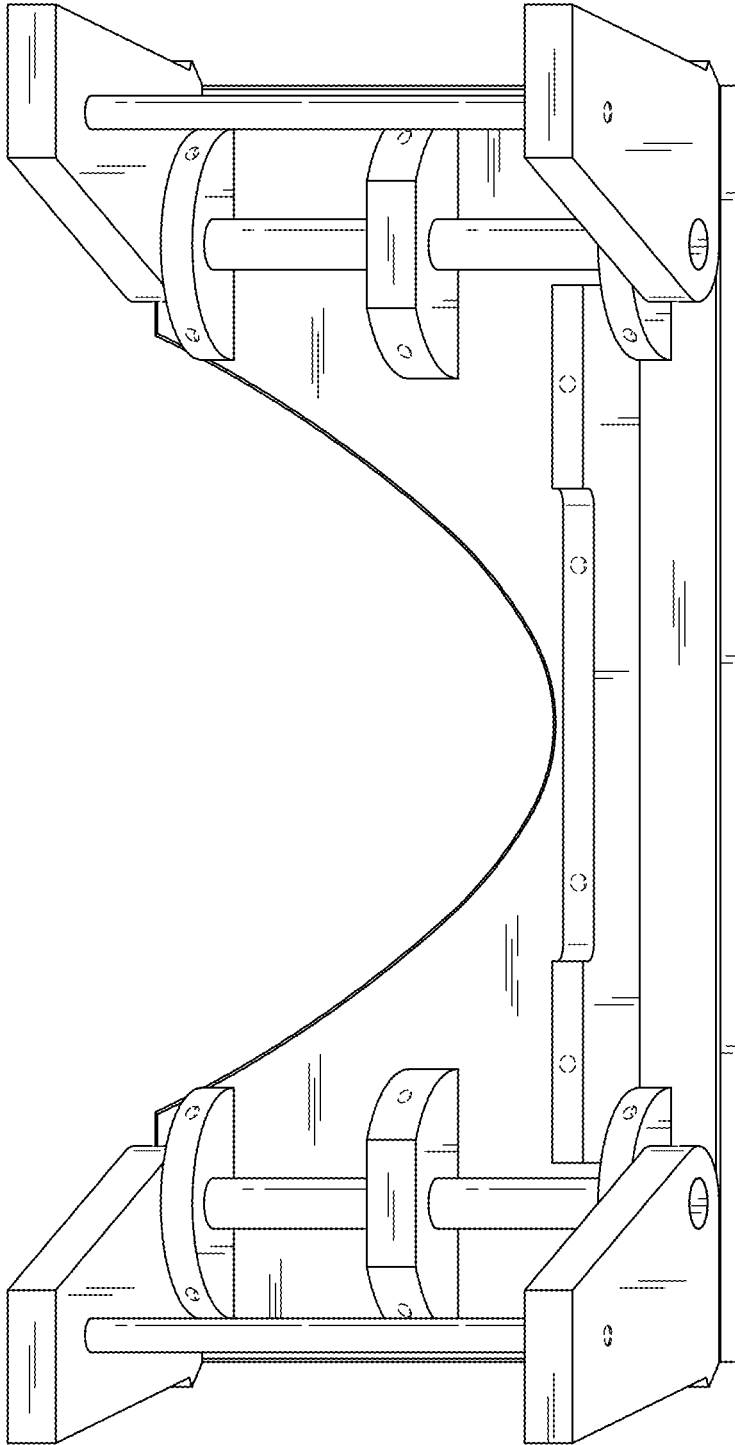


FIG. 4

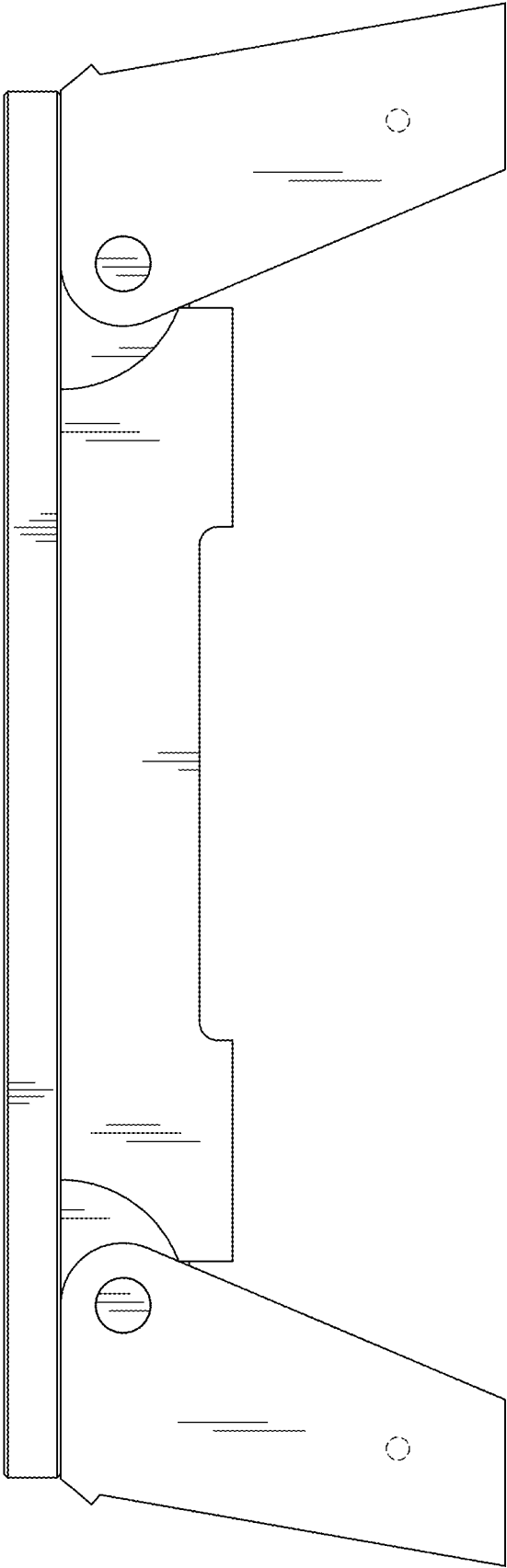


FIG. 5

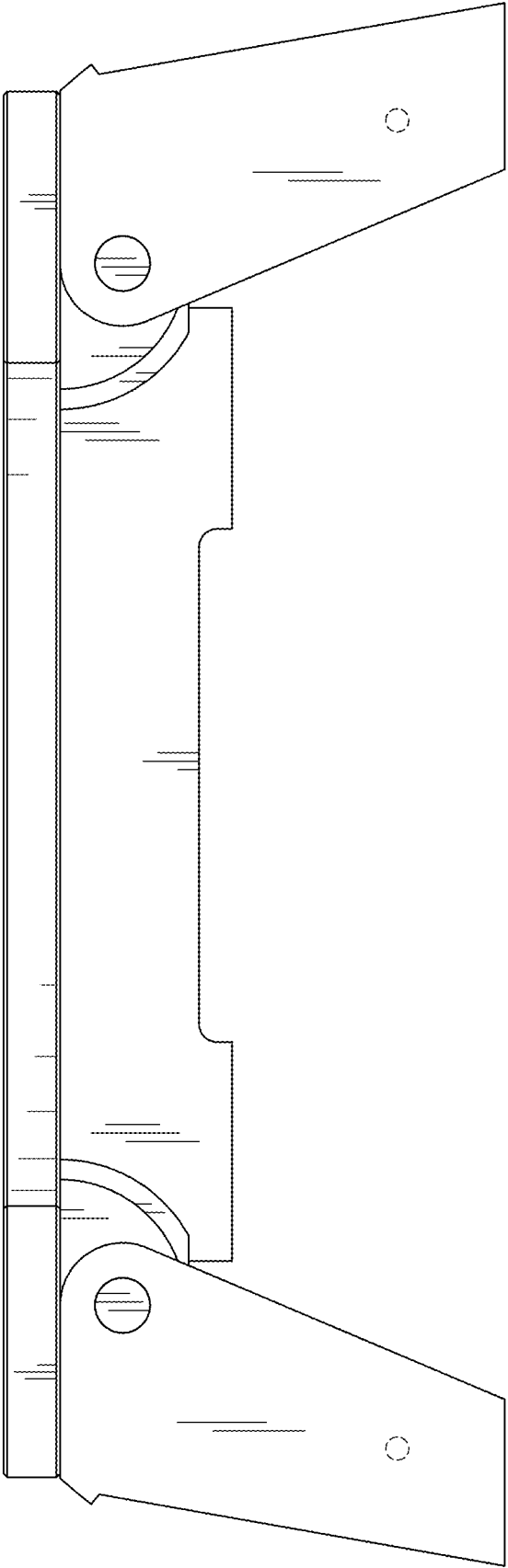


FIG. 6



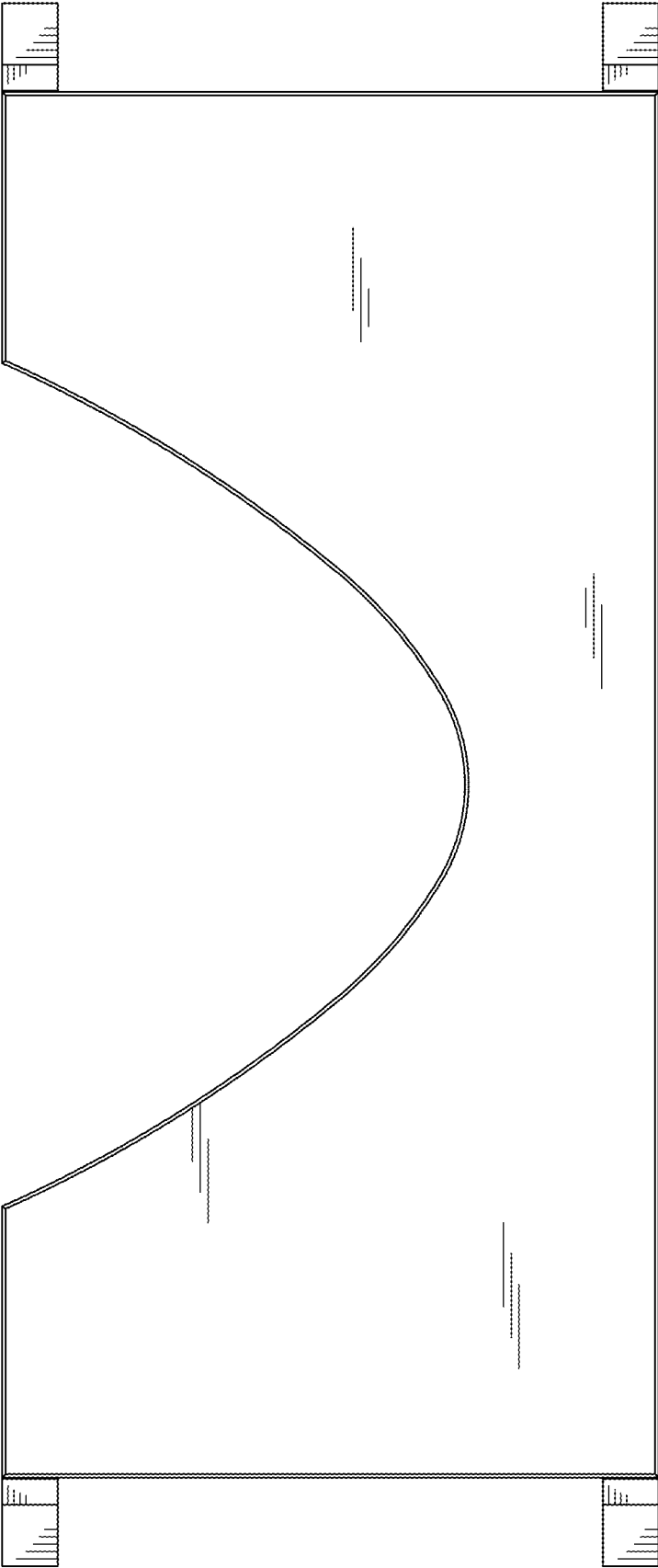


FIG. 7

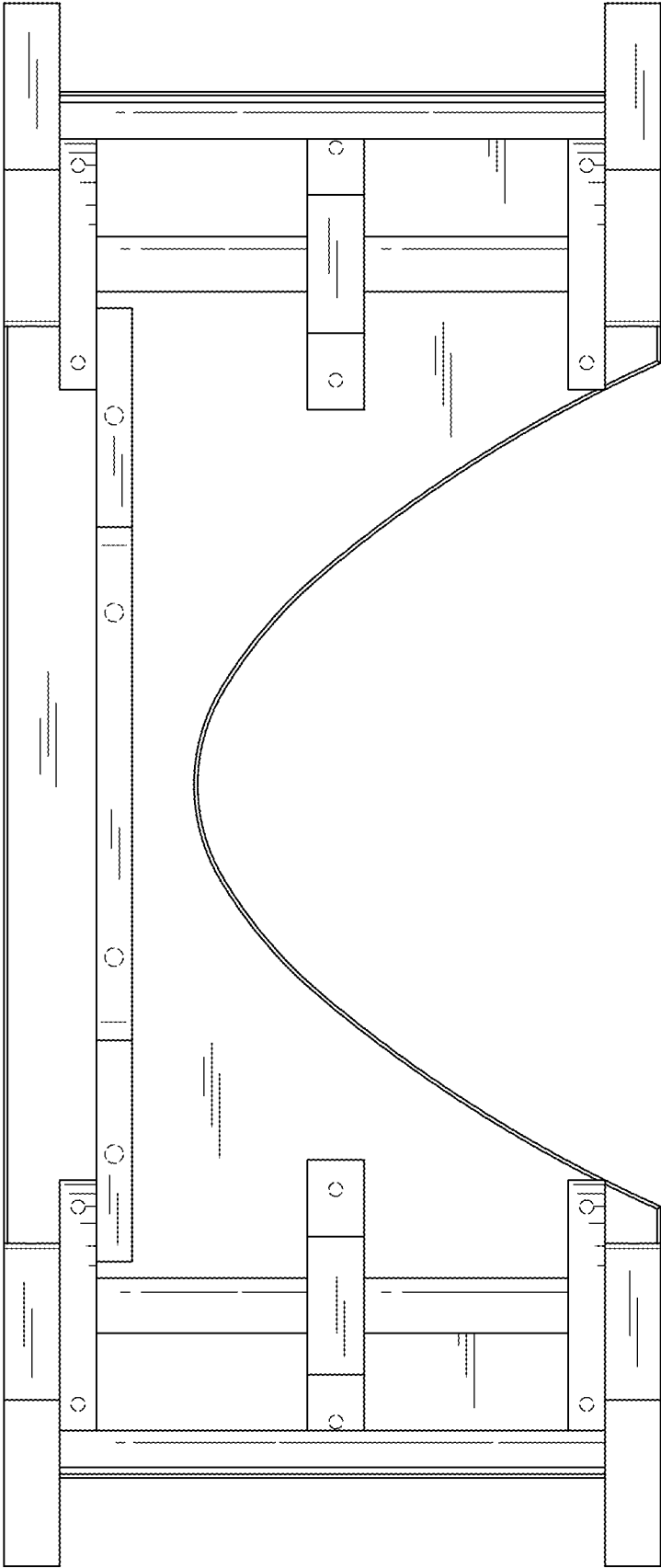


FIG. 8

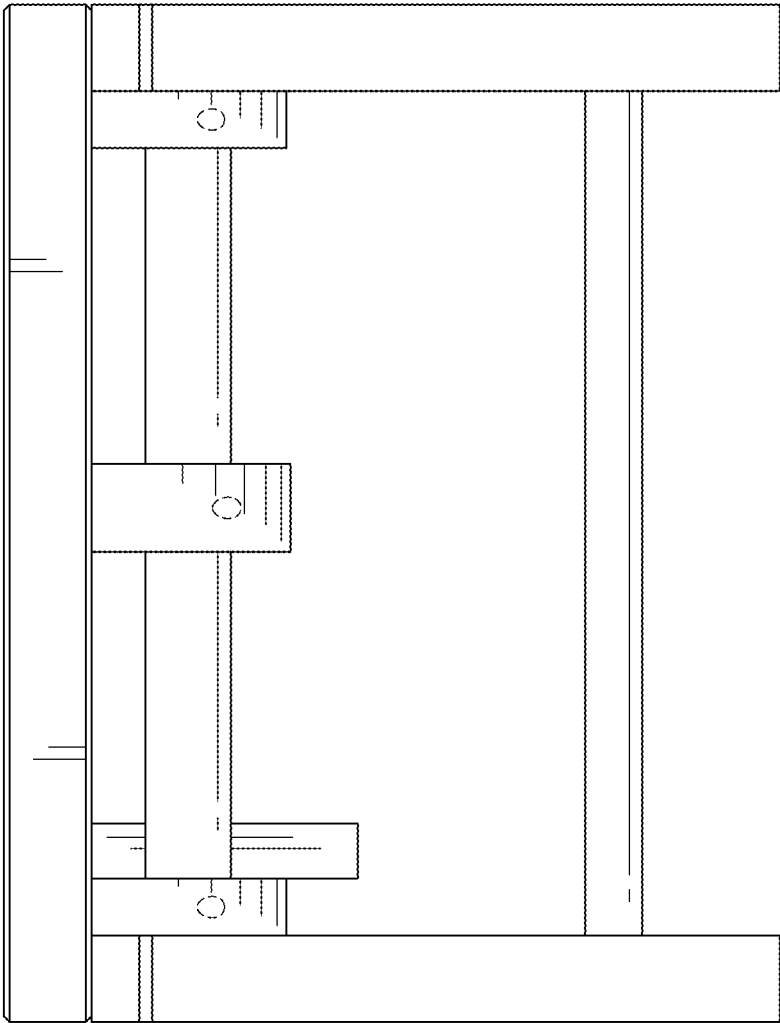


FIG. 9

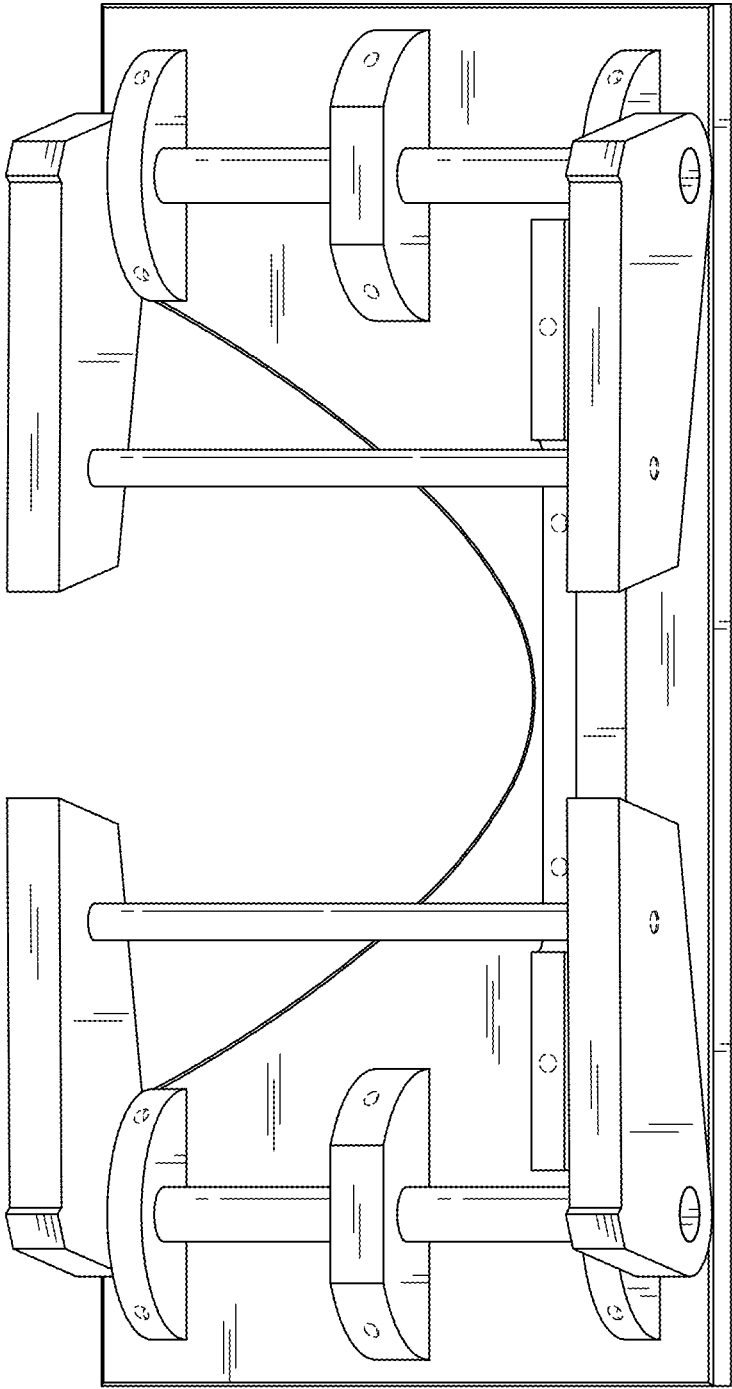


FIG. 10