



US00D786443S

(12) **United States Design Patent**  
**Blomberg et al.**

(10) **Patent No.:** **US D786,443 S**  
(45) **Date of Patent:** **\*\* May 9, 2017**

(54) **FILTER ELEMENT**  
(71) Applicant: **3M INNOVATIVE PROPERTIES COMPANY**, St. Paul, MN (US)  
(72) Inventors: **David M. Blomberg**, Lino Lakes, MN (US); **Elizabeth D. Cadogan**, St. Paul, MN (US); **John S. Huberty**, St. Paul, MN (US); **Michael J. Thunte**, St. Anthony Village, MN (US)

2,840,184 A 12/1954 Stampe  
2,845,927 A 8/1958 Hill  
3,316,904 A 5/1967 Wall  
3,750,665 A 8/1973 Stranicky  
4,179,274 A \* 12/1979 Moon ..... A62B 23/02  
128/206.17  
4,299,605 A 11/1981 Aiyama  
4,382,440 A 5/1983 Kapp  
4,714,486 A 12/1987 Silverthorn  
4,886,058 A 12/1989 Brostrom  
(Continued)

(73) Assignee: **3M Innovative Properties Company**, St. Paul, MN (US)

**FOREIGN PATENT DOCUMENTS**

(\*\*) Term: **14 Years**

CA 1069331 1/1980  
CA 2209246 7/1996  
(Continued)

(21) Appl. No.: **29/518,811**

*Primary Examiner* — Rhea Shields

(22) Filed: **Feb. 27, 2015**

(57) **CLAIM**

(51) **LOC (10) Cl.** ..... **24-00**  
(52) **U.S. Cl.**

The ornamental design for a filter element, as shown and described.

USPC ..... **D24/162**

**DESCRIPTION**

(58) **Field of Classification Search**  
USPC ..... D24/162, 164, 116, 110.1, 110;  
D23/209, 413; D34/10; 128/205.12,  
128/201.25, 206.17, 863, 205.27, 202.22;  
340/540  
CPC .. A62B 17/04; A62B 9/04; A62B 7/10; A62B  
18/006; A62B 18/088; A62B 23/02;  
G01N 29/036  
See application file for complete search history.

FIG. 1 is a perspective view showing the new design for a filter element;  
FIG. 2 is a front view thereof;  
FIG. 3 is a rear view thereof;  
FIG. 4 is a right side view thereof  
FIG. 5 is a left view thereof; and,  
FIG. 6 is a top view thereof, the bottom being a mirror image thereof.

(56) **References Cited**

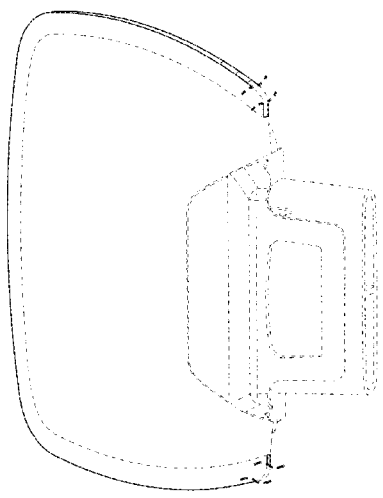
In the drawings, the dash-dash broken lines illustrate environment and form no part of the claimed design, and any shading is provided to illustrate contour only and is not an indication of texture, gloss, etc.

**U.S. PATENT DOCUMENTS**

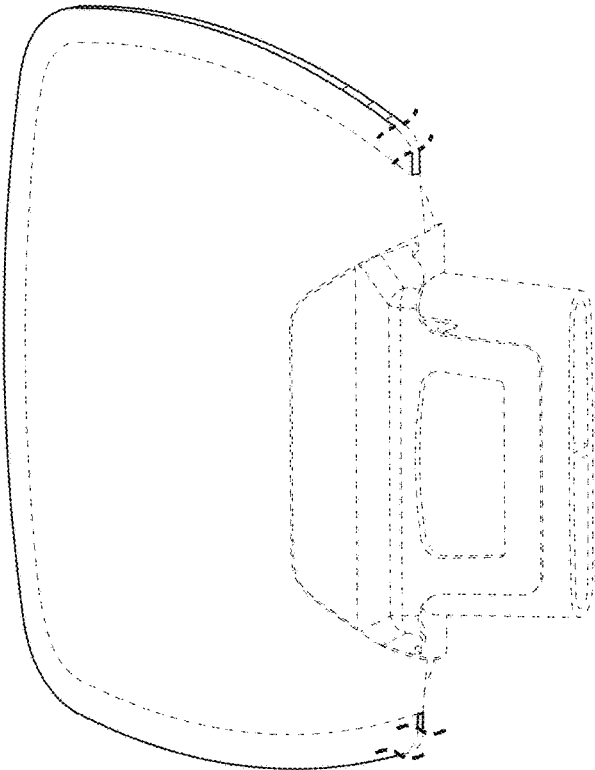
The dot-dash broken lines in the figures immediately adjacent the solid lines represent a boundary between claimed and unclaimed subject matter and form no part of the claimed design.

- 2,206,061 A 11/1936 Splaine
- 2,142,064 A 5/1937 Whipple
- 2,205,368 A 11/1937 Whipple
- 2,220,374 A 11/1940 Lewis
- 2,320,770 A 12/1940 Cover
- 2,227,959 A 1/1941 Cover
- 2,295,119 A 9/1942 Malcom

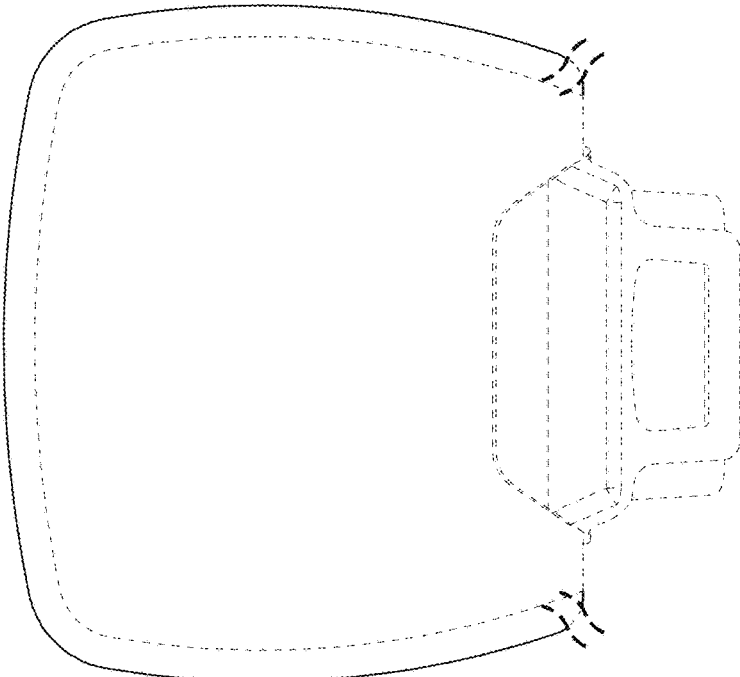
**1 Claim, 3 Drawing Sheets**



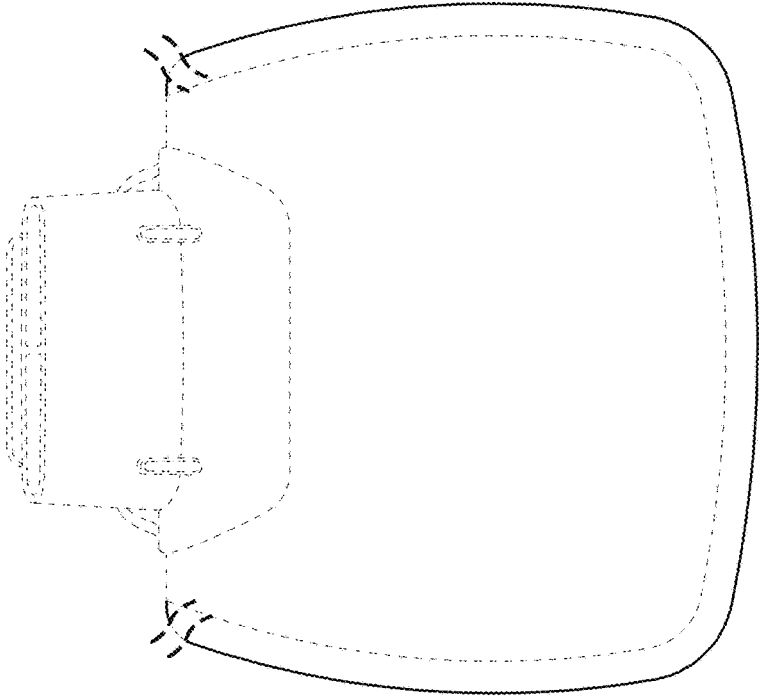




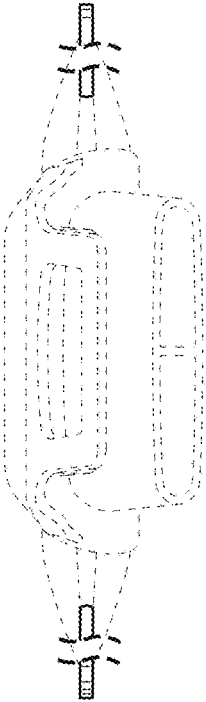
*Fig. 1*



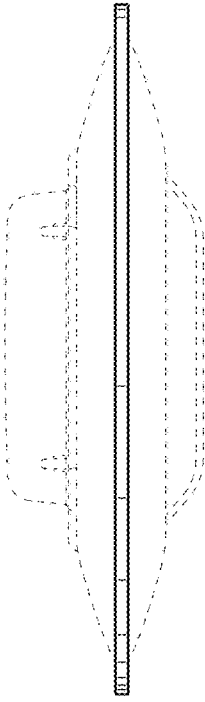
*Fig. 2*



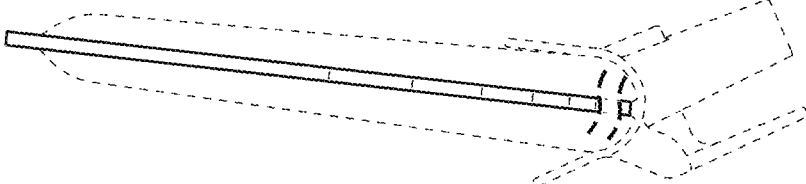
*Fig. 3*



*Fig. 4*



*Fig. 5*



*Fig. 6*