



US00D938439S

(12) **United States Design Patent**
Osis

(10) **Patent No.:** **US D938,439 S**

(45) **Date of Patent:** **** Dec. 14, 2021**

- (54) **DISPLAY SCREEN WITH A GRAPHICAL USER INTERFACE**
- (71) Applicant: **Evolution Malta Limited**, Sliema (MT)
- (72) Inventor: **Janis Osis**, Riga (LV)
- (73) Assignee: **EVOLUTION MALTA LIMITED**, Sliema (MT)
- (**) Term: **15 Years**
- (21) Appl. No.: **29/718,855**
- (22) Filed: **Dec. 30, 2019**
- (30) **Foreign Application Priority Data**

7,650,570	B2 *	1/2010	Torrens	G06F 16/686	715/727
D614,192	S *	4/2010	Takano	D14/486	D14/486
D697,080	S *	1/2014	Scholz	D14/489	D14/489
D699,251	S *	2/2014	Rao	D14/486	D14/486
8,707,211	B2 *	4/2014	Yasui	G06F 3/0482	715/834
D716,319	S *	10/2014	Fan	D14/485	D14/485
D729,260	S *	5/2015	Ahn	D14/485	D14/485
9,026,944	B2 *	5/2015	Kotler	G06F 3/04883	715/834
D765,669	S *	9/2016	Shaw	D14/485	D14/485
D765,672	S *	9/2016	Raff	D14/485	D14/485
D769,287	S *	10/2016	Lirov	D14/486	D14/486
D798,326	S *	9/2017	Kim	D14/486	D14/486
D800,764	S *	10/2017	Thoreson	D14/488	D14/488
D802,603	S *	11/2017	Bickel	D14/485	D14/485
D811,421	S *	2/2018	Caldwell	G06Q 40/12	D14/485

(Continued)

Jul. 3, 2019 (EM) 006611091

- (51) **LOC (13) CL.** **14-04**
- (52) **U.S. CL.**
USPC **D14/485**
- (58) **Field of Classification Search**
USPC D14/485-95
CPC G06F 3/48; G06F 3/0481; G06F 3/04812;
G06F 3/04815; G06F 3/04817; G06F
3/0482; G06F 3/0483; G06F 3/0484;
G06F 3/04842; G06F 3/04845; G06F
3/04847; G06F 3/0485; G06F 3/0486;
G06F 3/0487; G06F 3/0488; G06F
3/0489

See application file for complete search history.

(56) **References Cited**

U.S. PATENT DOCUMENTS

5,321,803	A *	6/1994	Ditter, Jr.	G06T 17/00	345/589
7,516,416	B2 *	4/2009	Viswanathan	A61B 6/548	715/769
7,596,406	B2 *	9/2009	Boese	A61B 5/339	600/523

OTHER PUBLICATIONS

Business people with financial wheel of fortune—K3star, <https://depositphotos.com/77549180/stock-illustration-business-people-with-financial-wheel.html> (Year: 2015).*

(Continued)

Primary Examiner — Melanie H Tung
Assistant Examiner — Darmawan Truong
(74) *Attorney, Agent, or Firm* — Tucker Ellis LLP

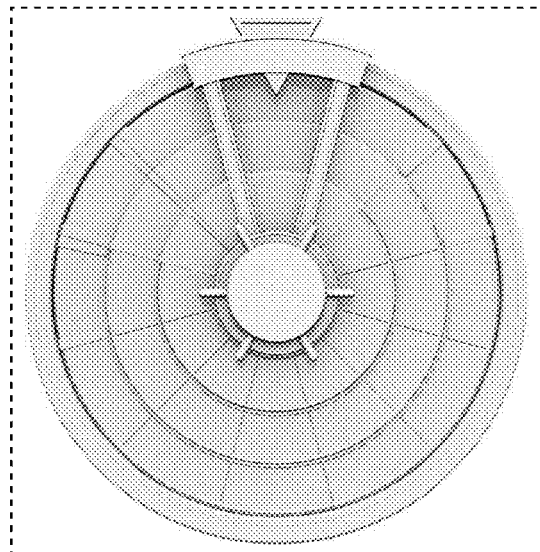
(57) **CLAIM**

The ornamental design for a display screen with a graphical user interface, as shown and described.

DESCRIPTION

The FIGURE is a front view of a display screen with a graphical interface showing my new design. The broken line showing of the display screen forms no part of the claimed design.

1 Claim, 1 Drawing Sheet



(56)

References Cited

U.S. PATENT DOCUMENTS

D813,884	S *	3/2018	Penker	D14/485
D819,651	S *	6/2018	Caldwell	D14/485
D823,320	S *	7/2018	Peeters	D14/485
D830,372	S *	10/2018	Gratzki	D14/485
D840,430	S *	2/2019	Elatta	D14/489
D841,664	S *	2/2019	Butcher	D14/485
D849,043	S *	5/2019	Ksiezopolski	D14/487
D852,821	S *	7/2019	Anderson	D14/485
2010/0281413	A1 *	11/2010	Lundback	G16H 50/50 715/771
2010/0299637	A1 *	11/2010	Chmielewski	G06F 3/04883 715/834
2014/0058844	A1 *	2/2014	Jadeja	G06Q 50/01 705/14.66

OTHER PUBLICATIONS

Colorful wheel of fortune—Lightkite, <https://depositphotos.com/89789628/stock-illustration-colorful-wheel-of-fortune.html> (Year: 2015).*

Wheel of fortune—Navarro, <https://dribbble.com/shots/3896500-Wheel-of-Fortune> (Year: 2017).*

Wheel of fortune design element—Medeja, <https://depositphotos.com/121863296/stock-illustration-wheel-of-fortune-design-element.html> (Year: 2016).*

* cited by examiner

