



US00D829961S

(12) **United States Design Patent**
Lin

(10) **Patent No.:** **US D829,961 S**

(45) **Date of Patent:** **** Oct. 2, 2018**

(54) **REVOLVING LIGHT**

(71) Applicant: **Muchun Lin**, Shantou (CN)

(72) Inventor: **Muchun Lin**, Shantou (CN)

(**) Term: **15 Years**

(21) Appl. No.: **29/586,812**

(22) Filed: **Dec. 7, 2016**

(30) **Foreign Application Priority Data**

Oct. 20, 2016 (CN) 2016 3 0511437

(51) **LOC (11) Cl.** **26-99**

(52) **U.S. Cl.** **D26/104**

USPC **D26/104**

(58) **Field of Classification Search**

USPC D26/1, 4, 24, 27, 51, 93, 94, 104, 106;
D11/131, 157, 184, 121, 125

CPC .. A63H 13/00; F21S 6/00; F21S 6/002; F21S
10/00; F21V 3/00; F21V 3/0418; F21V
15/00; F21V 21/02; F21V 31/00; F21W
2121/00; F21W 2131/30

See application file for complete search history.

(56) **References Cited**

U.S. PATENT DOCUMENTS

4,961,276 A * 10/1990 Lin A63H 13/00
40/410

D393,016 S * 3/1998 Young D11/131

D590,097 S * 4/2009 Tam D26/104
D757,988 S * 5/2016 Chang D26/104
D786,485 S * 5/2017 Amato D26/106

* cited by examiner

Primary Examiner — Brian N. Vinson

(74) *Attorney, Agent, or Firm* — Schmeiser, Olsen &
Watts, LLP

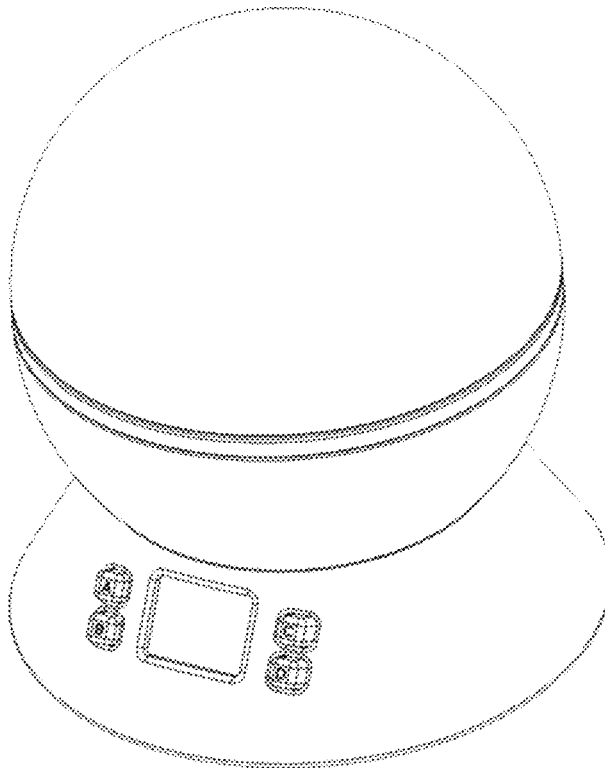
(57) **CLAIM**

The ornamental design for a revolving light, as shown and described.

DESCRIPTION

FIG. 1 is a Front elevational view of a revolving light showing my new design;
FIG. 2 is a Rear elevational view thereof;
FIG. 3 is a Left side view thereof;
FIG. 4 is a Right side view thereof;
FIG. 5 is a Top plan view thereof;
FIG. 6 is a Bottom plan view thereof; and,
FIG. 7 is a Perspective view thereof.
The broken lines shown in FIG. 6 show portions of the revolving light that form no part of the claimed design.

1 Claim, 7 Drawing Sheets



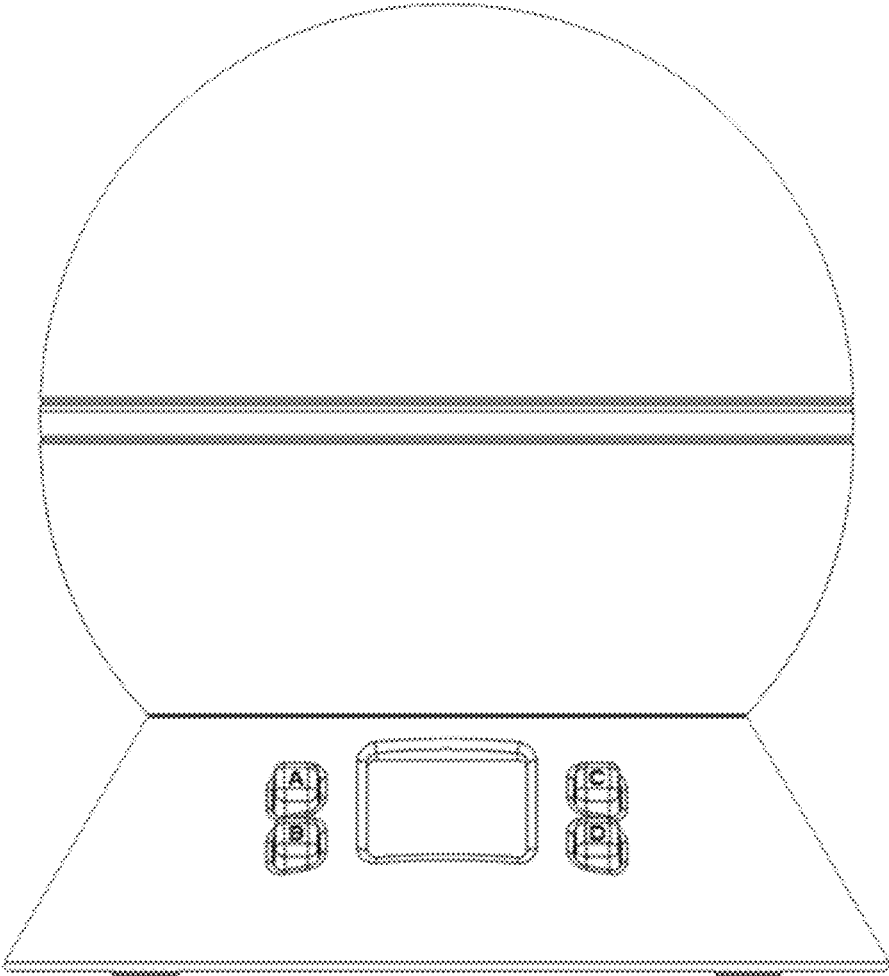


Figure 1

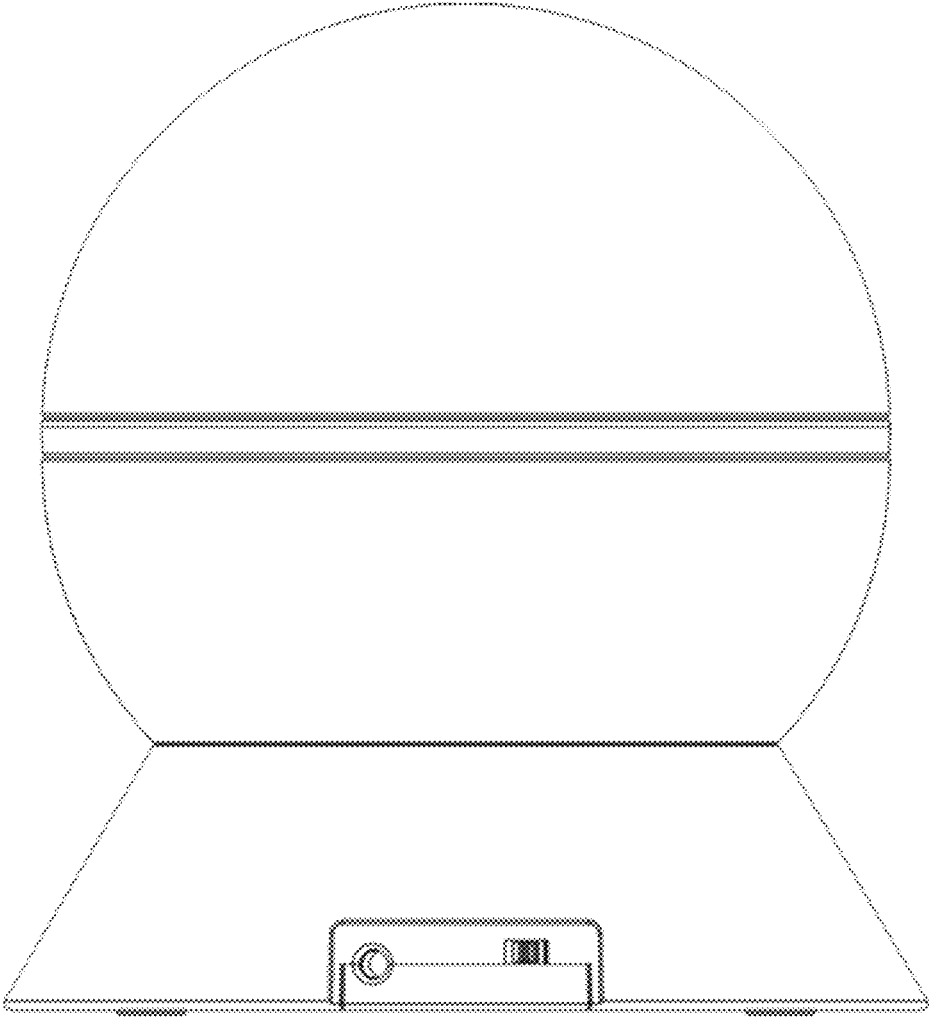


Figure 2

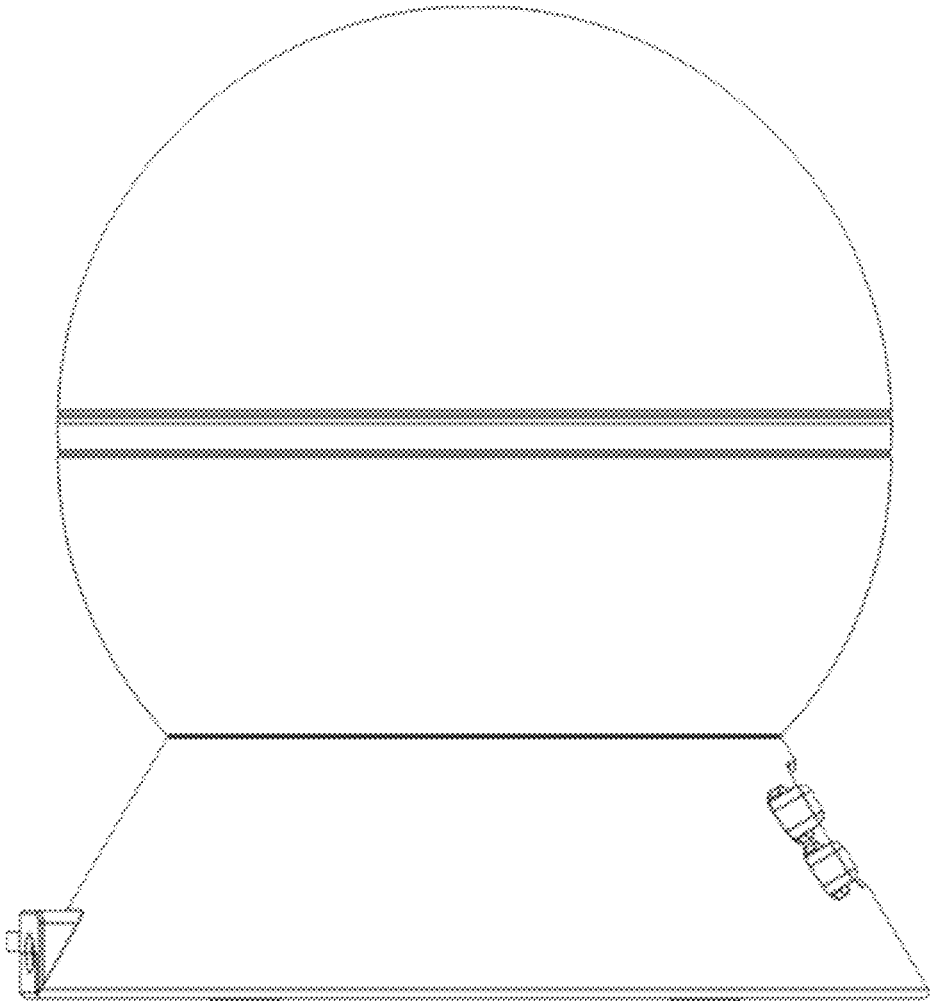


Figure 3

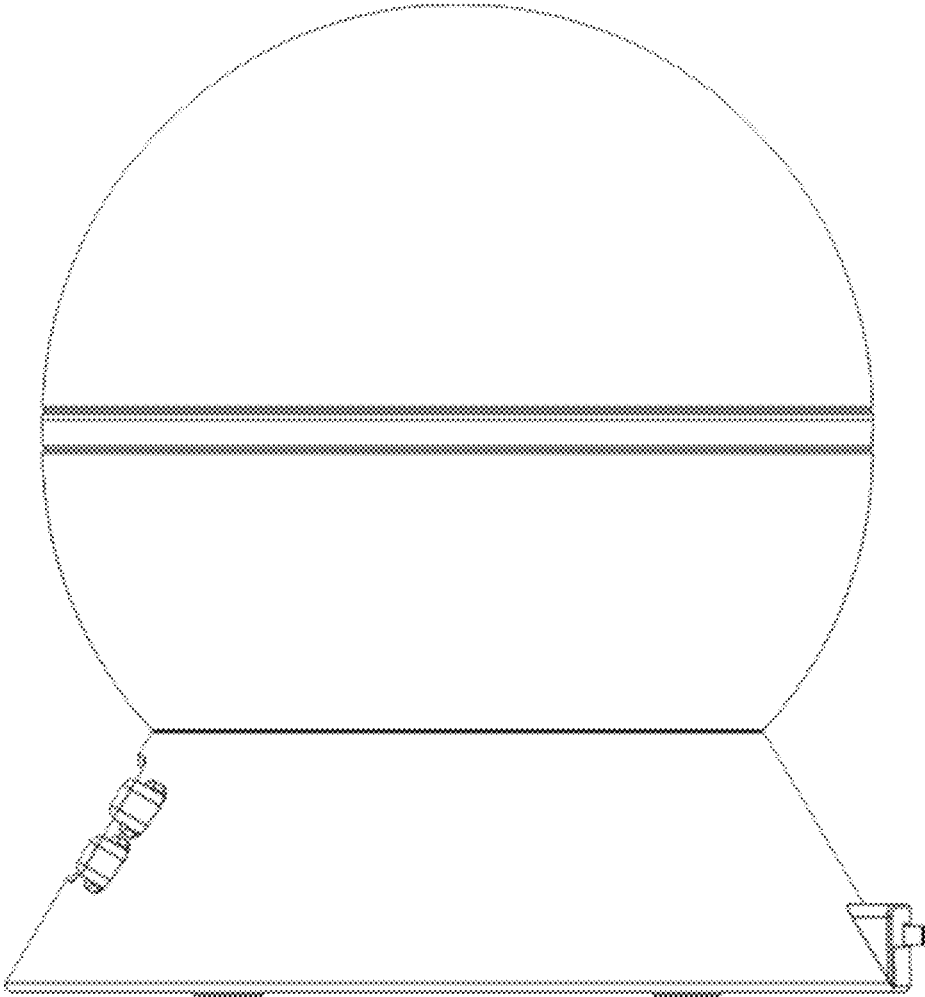


Figure 4

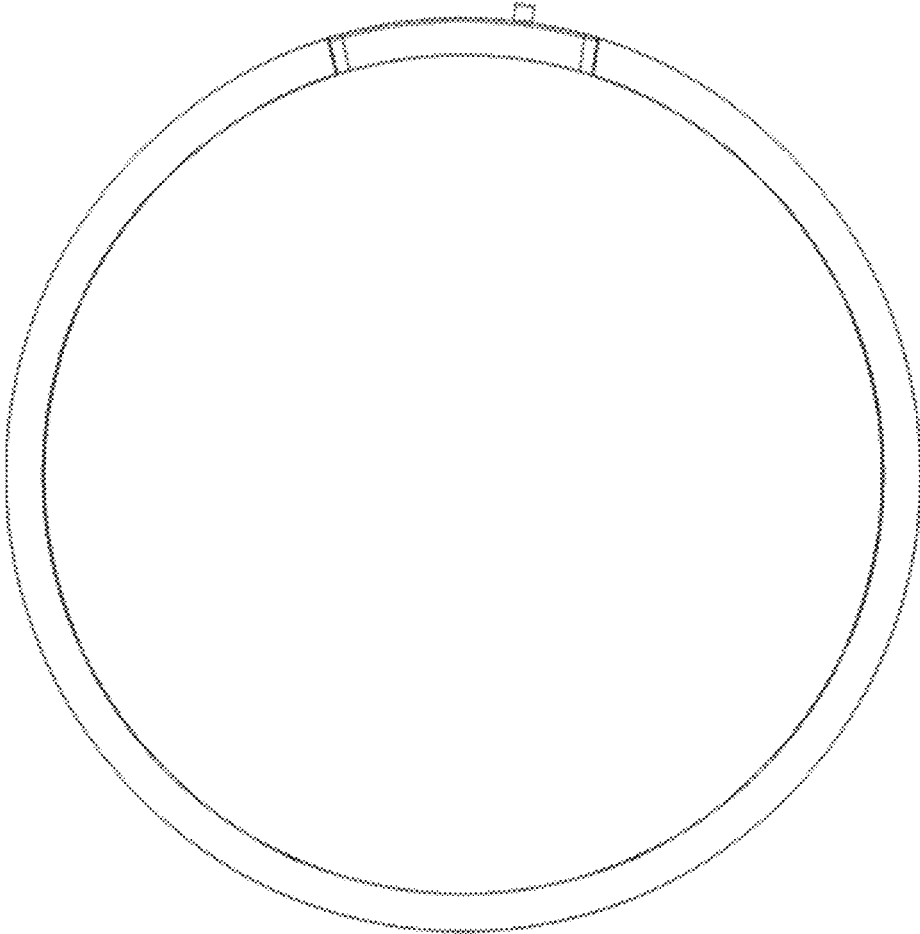


Figure 5

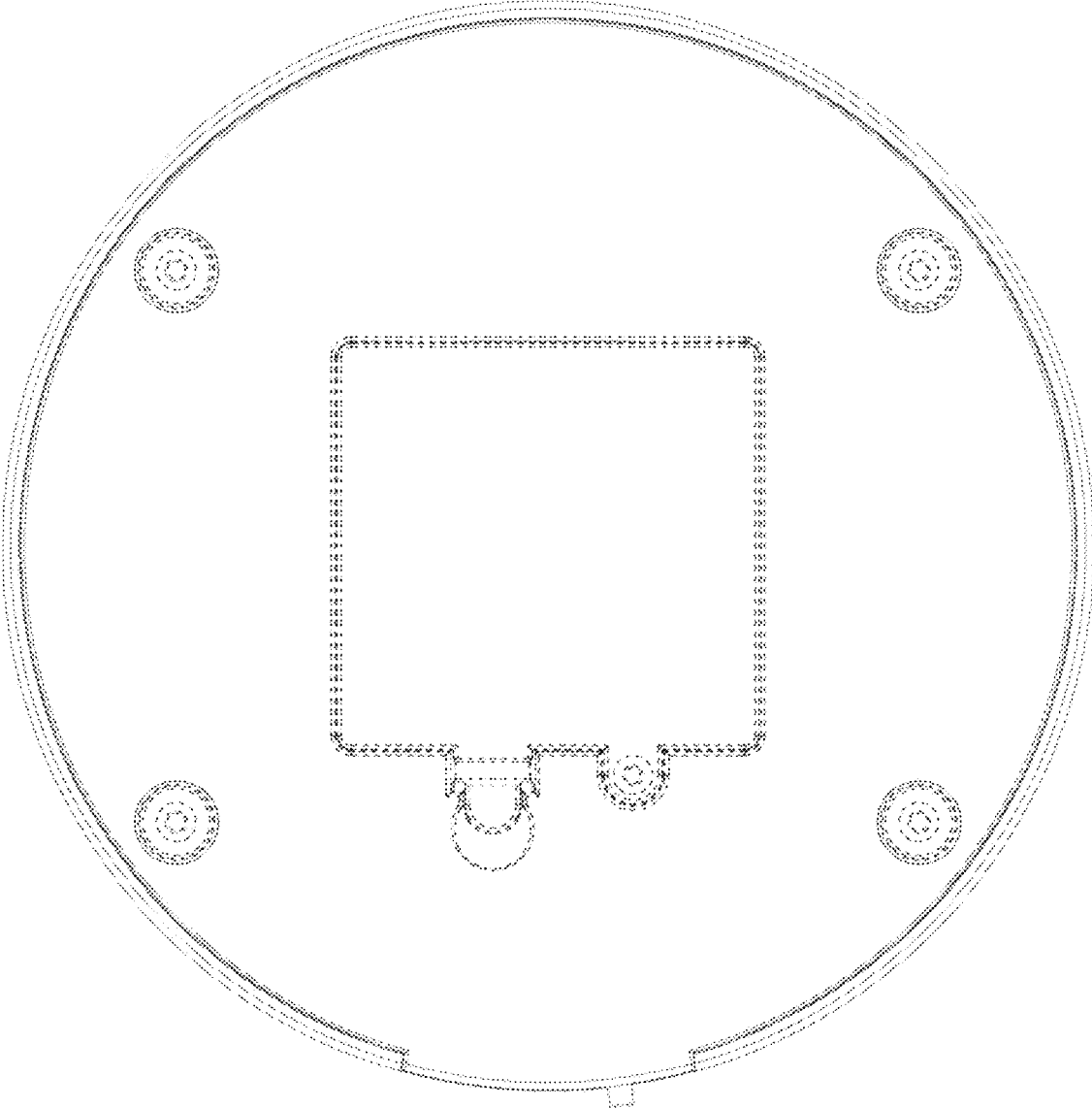


Figure 6

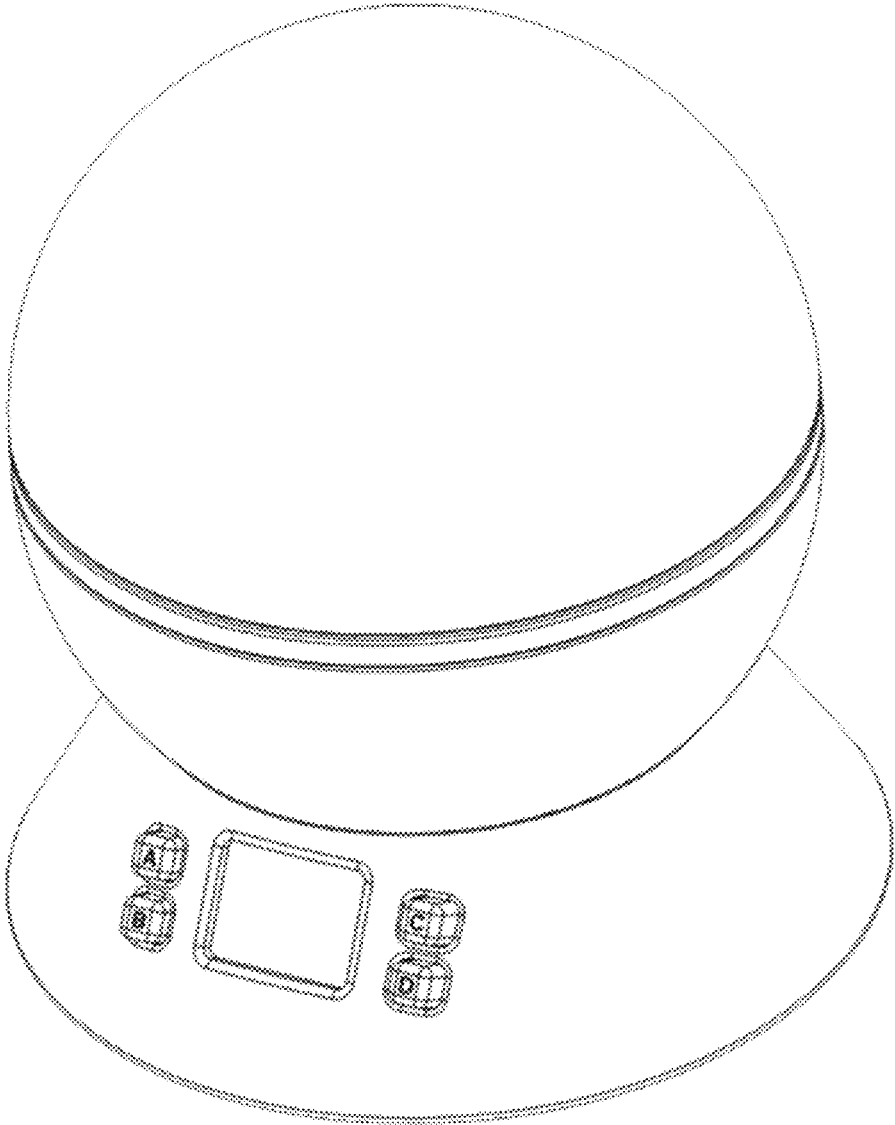


Figure 7