



US00D835171S

(12) **United States Design Patent**  
**Nose et al.**

(10) **Patent No.:** **US D835,171 S**  
(45) **Date of Patent:** **\*\* Dec. 4, 2018**

- (54) **REFLECTING-MIRROR EXCHANGER FOR TELESCOPE**
- (71) Applicant: **MITSUBISHI ELECTRIC CORPORATION**, Tokyo (JP)
- (72) Inventors: **Masaki Nose**, Tokyo (JP); **Noboru Kawaguchi**, Tokyo (JP); **Toshitaka Nakaoji**, Tokyo (JP); **Satoru Sofuku**, Tokyo (JP)
- (73) Assignee: **Mitsubishi Electric Corporation**, Tokyo (JP)
- (\*\*) Term: **15 Years**
- (21) Appl. No.: **29/593,403**
- (22) Filed: **Feb. 8, 2017**
- (51) **LOC (11) Cl.** ..... **16-06**
- (52) **U.S. Cl.**  
USPC ..... **D16/132**; D15/199
- (58) **Field of Classification Search**  
USPC ..... D16/130, 132, 135, 136; D15/138, 140, D15/141, 142, 199  
CPC ..... B25J 9/0018; B25J 9/0084; B25J 9/0087; Y10S 901/28; Y10T 74/20305  
See application file for complete search history.

- 7,734,375 B2 \* 6/2010 Buehler ..... B25J 9/102  
250/559.33
- D738,179 S \* 9/2015 Gray ..... D8/72
- D764,557 S \* 8/2016 Yamada ..... D15/199
- D789,368 S \* 6/2017 Goetgeluk ..... G06F 3/011  
D14/356
- D805,568 S \* 12/2017 Ke ..... D15/199
- 2012/0216646 A1\* 8/2012 Tealdi ..... B25J 9/0018  
74/490.01

**OTHER PUBLICATIONS**

STriDER: Self-excited Tripedal Dynamic Experimental Robot. Online, published date unknown. Retrieved on Jan. 11, 2018 from URL: <http://www.romela.org/strider-self-excited-tripedal-dynamic-experimental-robot/>.\*

(Continued)

*Primary Examiner* — Karen S Acker  
*Assistant Examiner* — Omeed Agilee  
(74) *Attorney, Agent, or Firm* — Studebaker & Brackett PC

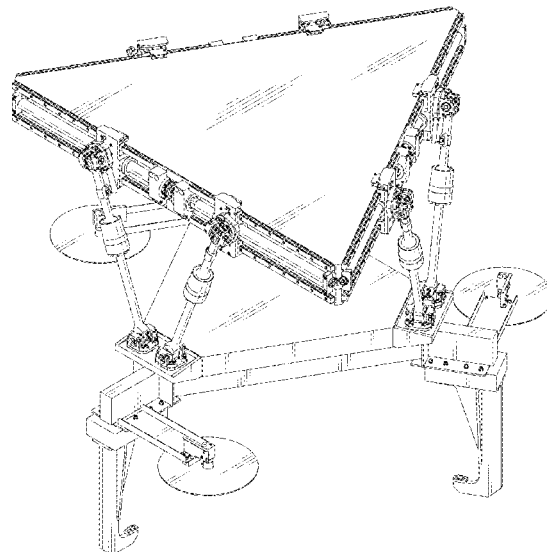
(57) **CLAIM**  
The ornamental design for a reflecting-mirror exchanger for telescope, as shown and described.

**DESCRIPTION**

FIG. 1 is a perspective view of the front, left, and top sides of a reflecting-mirror exchanger for telescope showing our new design;  
FIG. 2 is a front view thereof;  
FIG. 3 is a rear view thereof;  
FIG. 4 is a left side view thereof;  
FIG. 5 is a right side view thereof;  
FIG. 6 is a top plan view thereof;  
FIG. 7 is a bottom plan view thereof;  
FIG. 8 is a front view in an alternate position in which the links are shortened; and,  
FIG. 9 is a perspective view in an environment of usage.  
The broken lines shown in the drawings depict environmental subject matter that forms no part of the claimed design.

**1 Claim, 9 Drawing Sheets**

- (56) **References Cited**  
**U.S. PATENT DOCUMENTS**  
3,951,511 A \* 4/1976 Parsons ..... G02B 23/165  
D16/132  
D278,348 S \* 4/1985 Horgan ..... D16/135  
D284,087 S \* 6/1986 Haidinger ..... D16/135  
D512,086 S \* 11/2005 Dirks ..... D15/199  
7,703,212 B2\* 4/2010 Stieff ..... G01B 11/2755  
33/203.18



(56)

**References Cited**

OTHER PUBLICATIONS

J Group Robotics Delta Kossel 2020 Reprap Full 3D Printer Kit W/ Auto Level Rev B. Online, published date Jun. 3, 2016. Retrieved on Jan. 11, 2018 from URL: <https://www.amazon.in/Robotics-Delta-Kossel-3D-Printer/dp/B01H8QC90C>.\*

Segment handling system prototype progress for Thirty Meter Telescope. Online, published date Jul. 27, 2016. Retrieved on Jan. 11, 2018 from URL: <https://www.spiedigitallibrary.org/conference-proceedings-of-spie/9906/1/Segment-handling-system-prototype-progress-for-Thirty-Meter-Telescope/10.1117/12.2233856.full?SSO=1>.\*

\* cited by examiner

Fig. 1

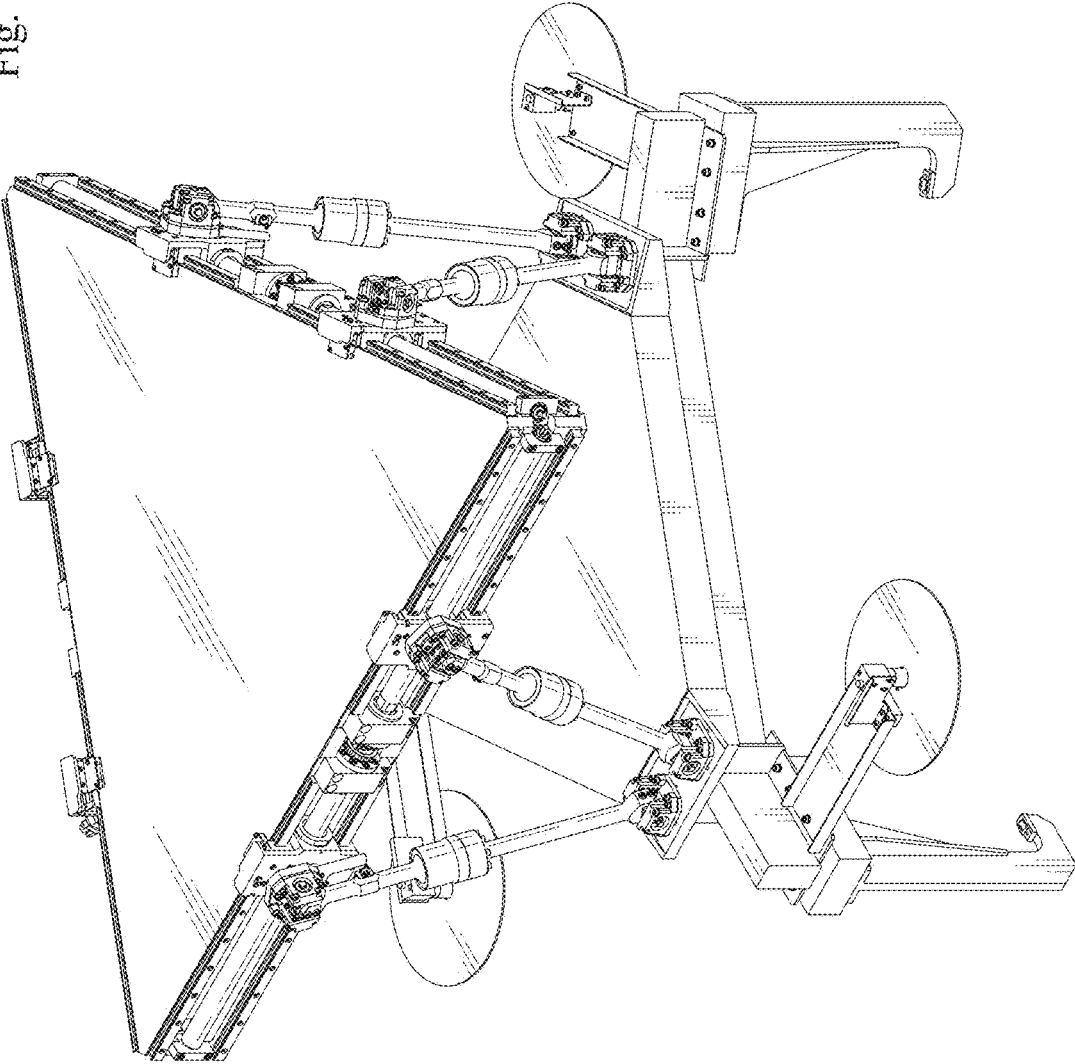


Fig. 2

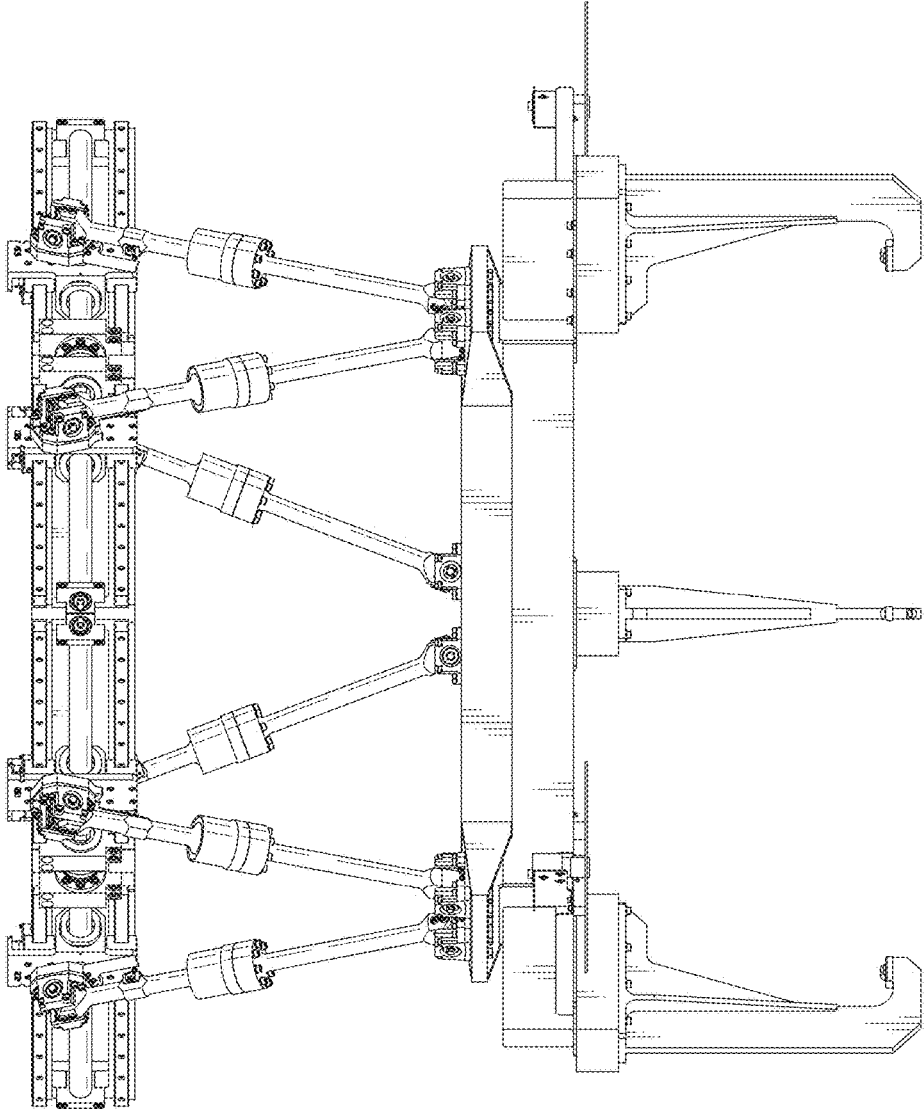


Fig. 3

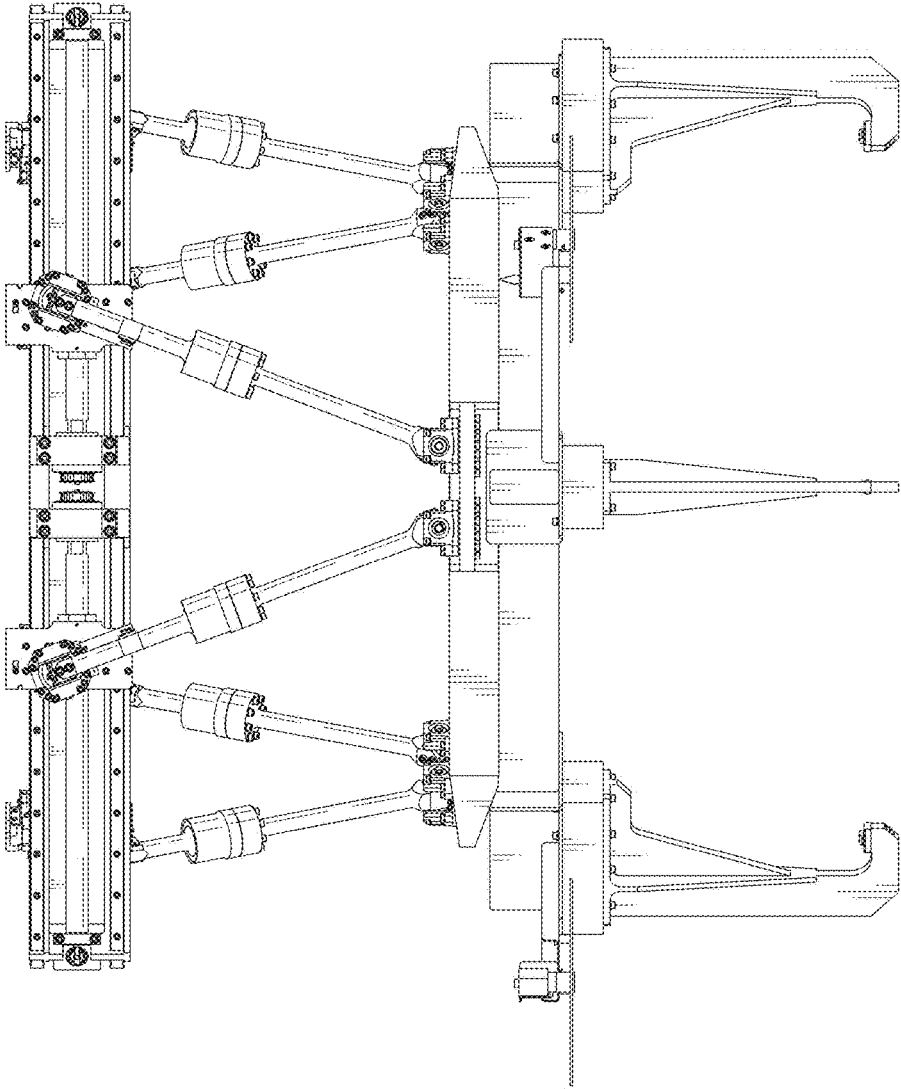


Fig. 4

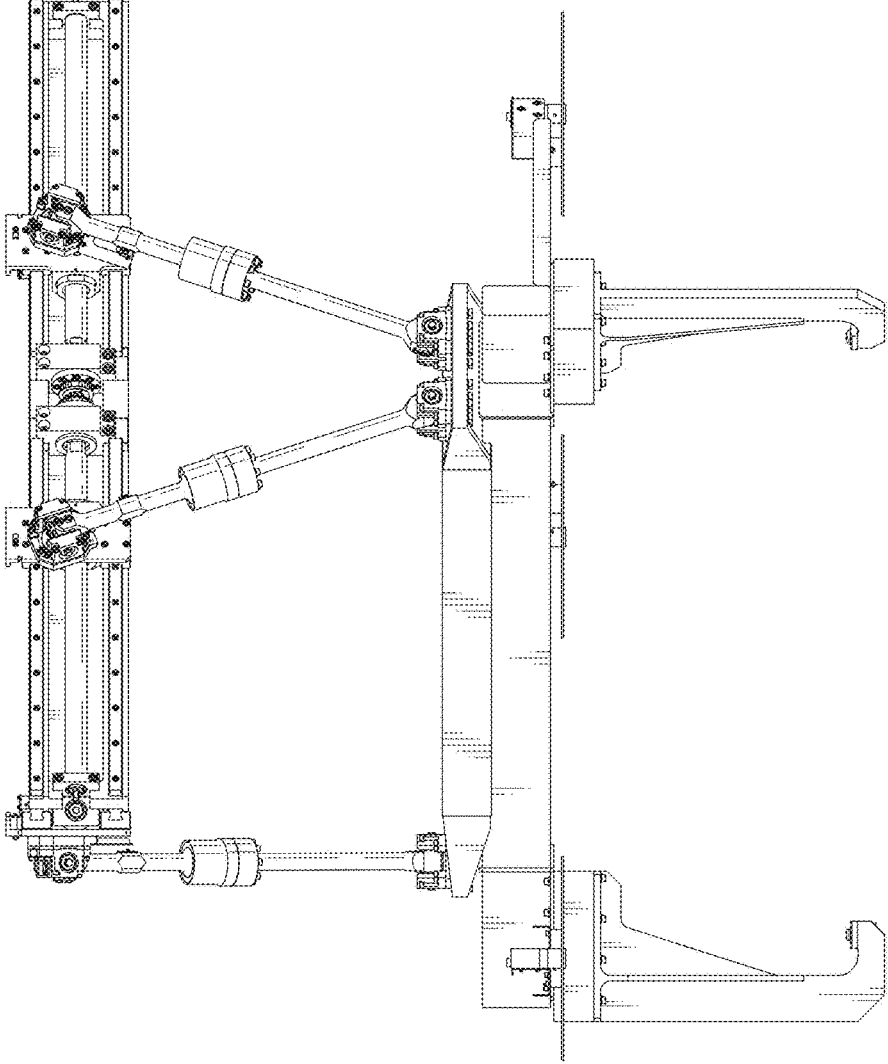


Fig. 5

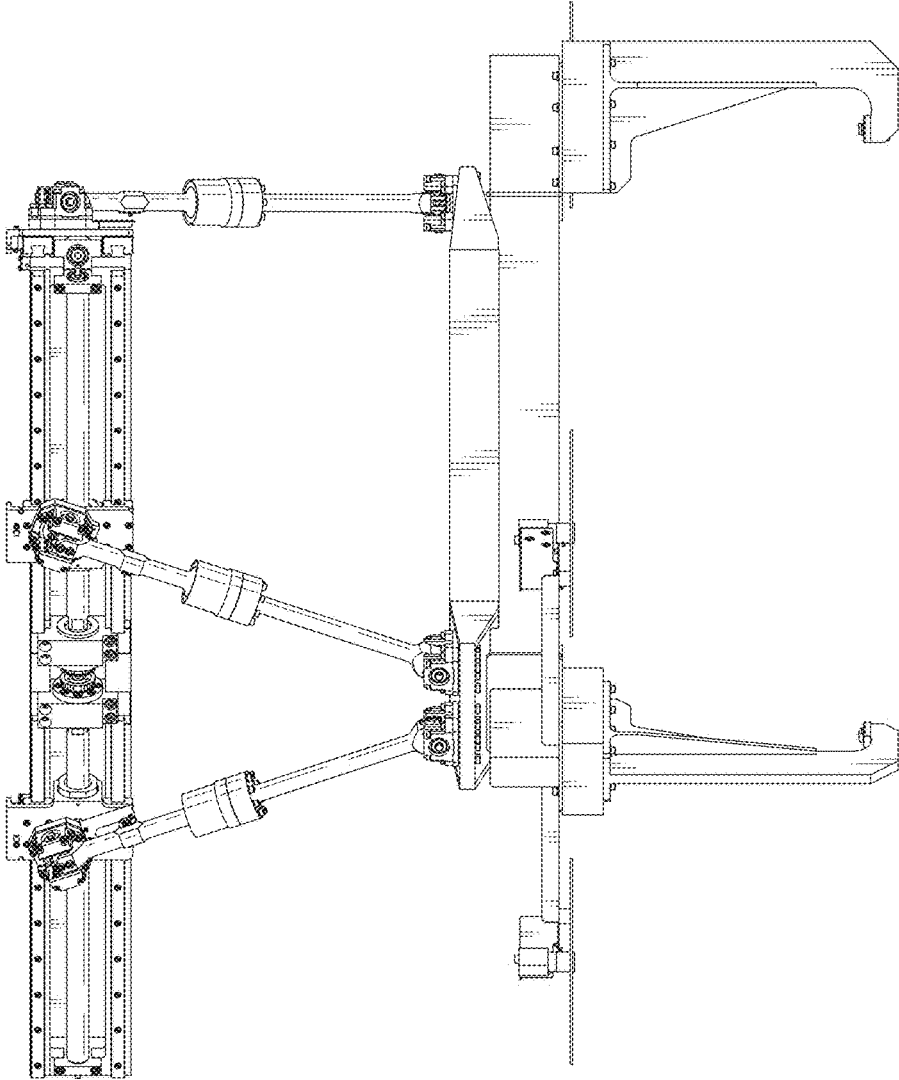


Fig. 6

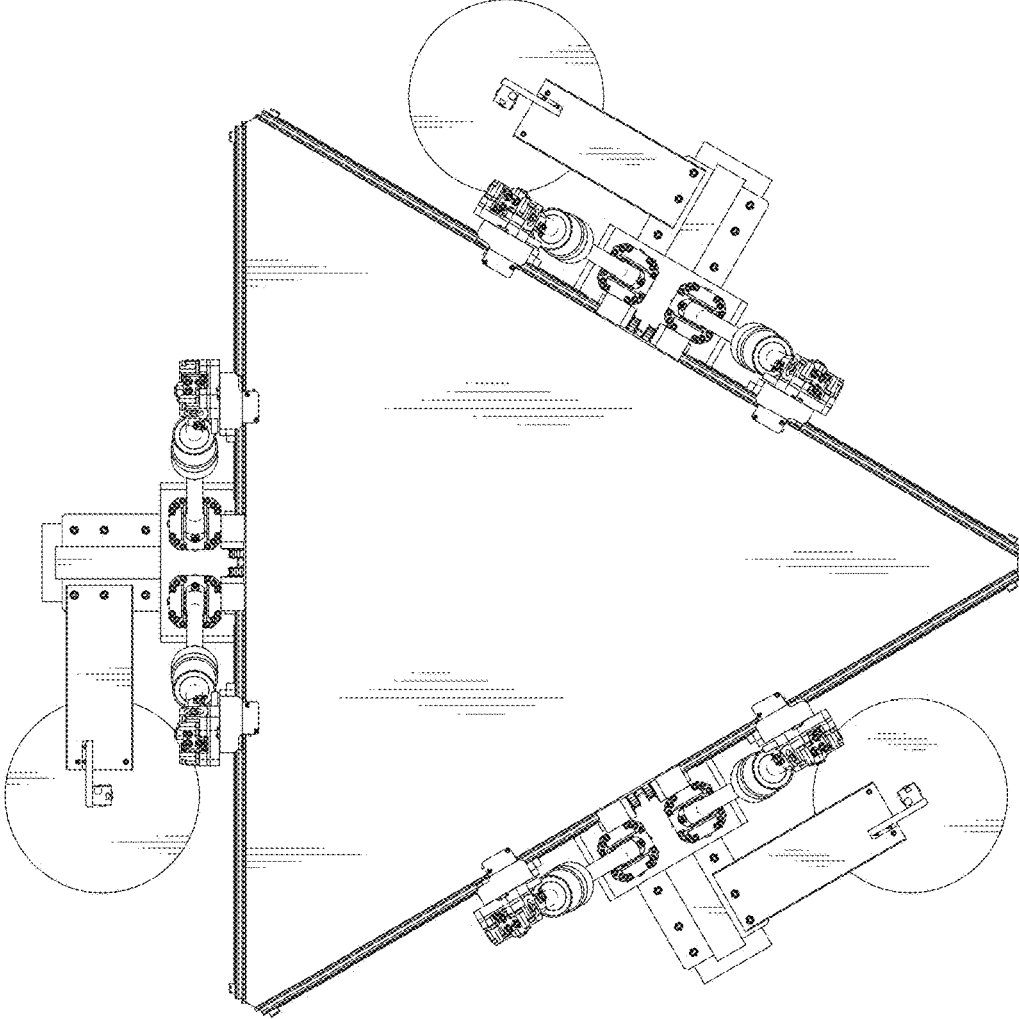




Fig. 7

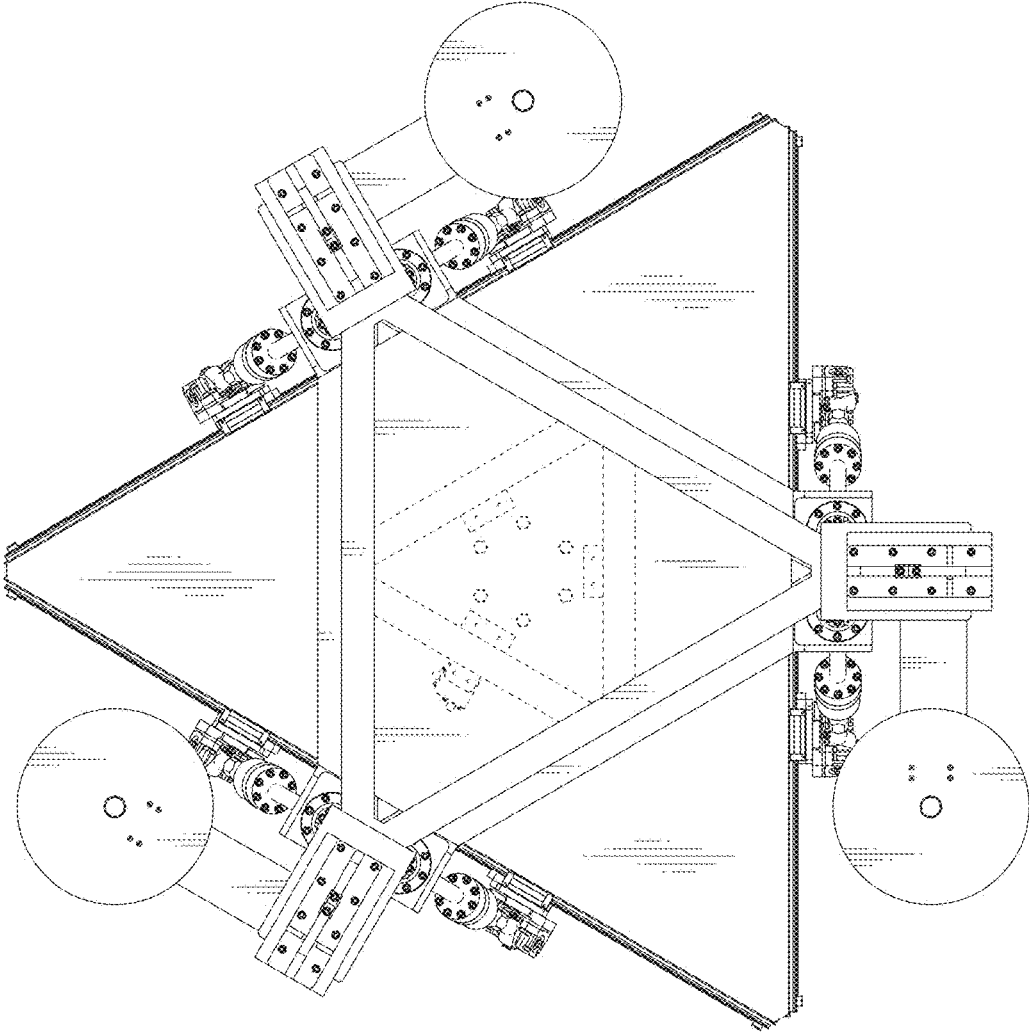


Fig. 8

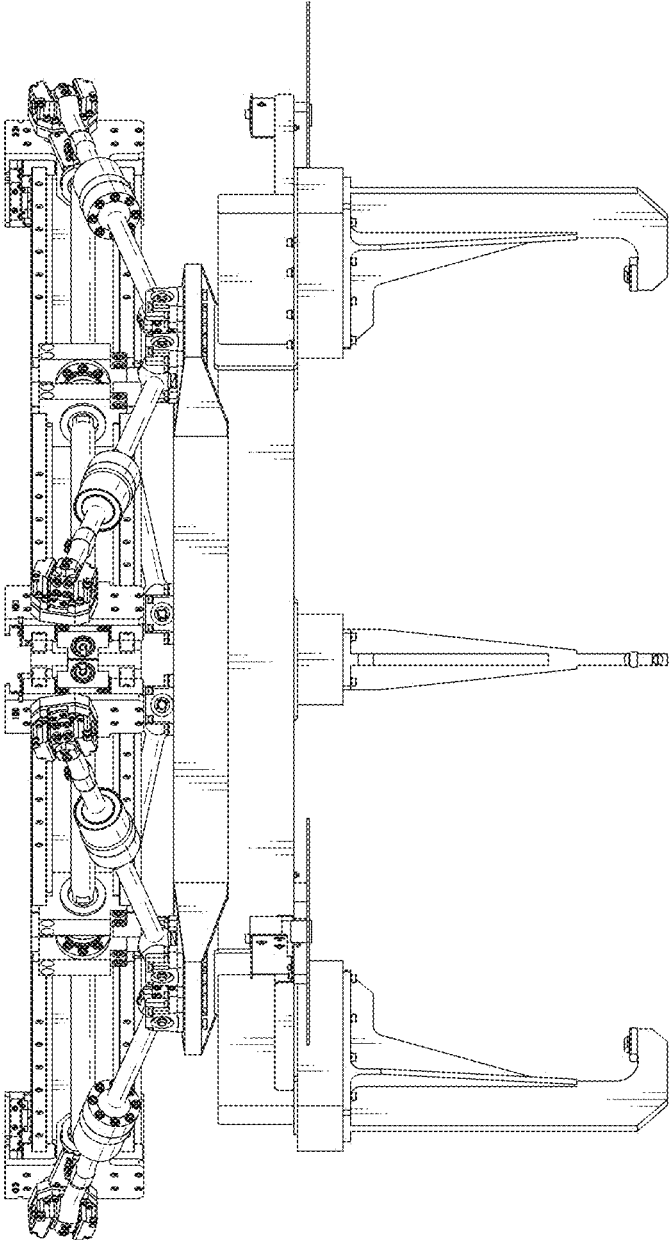


Fig. 9

