



US00D721575S

(12) **United States Design Patent**
Paboojian

(10) **Patent No.:** **US D721,575 S**

(45) **Date of Patent:** **** Jan. 27, 2015**

(54) **CARTON**

(71) Applicant: **Novartis AG**, Basel (CH)

(72) Inventor: **Stephen Paboojian**, Basel (CH)

(73) Assignee: **Novartis AG**, Basel (CH)

(**) Term: **14 Years**

(21) Appl. No.: **29/446,352**

(22) Filed: **Mar. 20, 2013**

(30) **Foreign Application Priority Data**

Sep. 8, 2012 (GB) 4026249

(51) **LOC (10) Cl.** **09-03**

(52) **U.S. Cl.**
USPC **D9/423**

(58) **Field of Classification Search**
USPC D9/415, 420-424, 432, 433, 501, 682,
D9/715, 719, 904; 229/120.02, 103.2, 104
See application file for complete search history.

(56) **References Cited**

U.S. PATENT DOCUMENTS

D345,101 S * 3/1994 Abrams D9/423
7,093,595 B2 * 8/2006 Nesbitt 128/203.15
D580,754 S * 11/2008 An D9/433
D587,998 S * 3/2009 Kaisanlahti et al. D9/433

D606,855 S * 12/2009 Jo et al. D9/423
D606,857 S * 12/2009 Stewart D9/432
D629,296 S * 12/2010 De Muynck D9/433
D668,949 S * 10/2012 Hipperson et al. D9/423
8,453,919 B2 * 6/2013 Eckermann et al. 229/117.13
D685,654 S * 7/2013 Akana et al. D9/737
D687,295 S * 8/2013 Park D9/420
2007/0199979 A1 * 8/2007 Holley 229/103.2

* cited by examiner

Primary Examiner — Thomas Johannes

Assistant Examiner — Keith Frank

(74) *Attorney, Agent, or Firm* — Daniel Woods

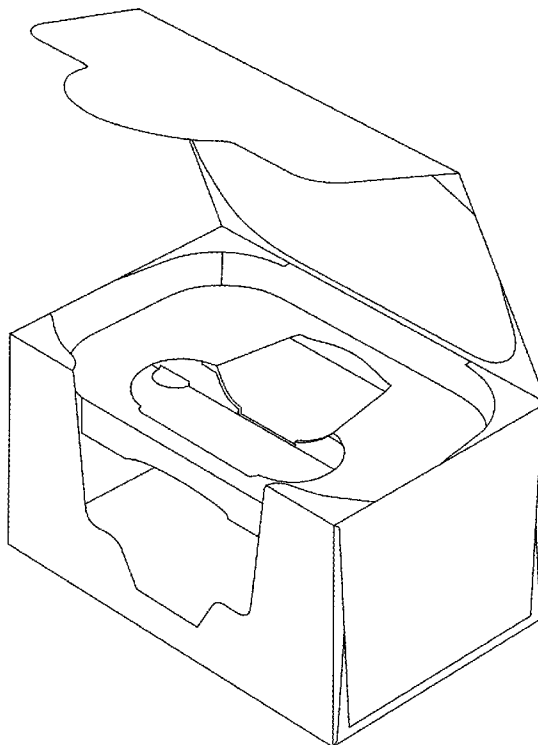
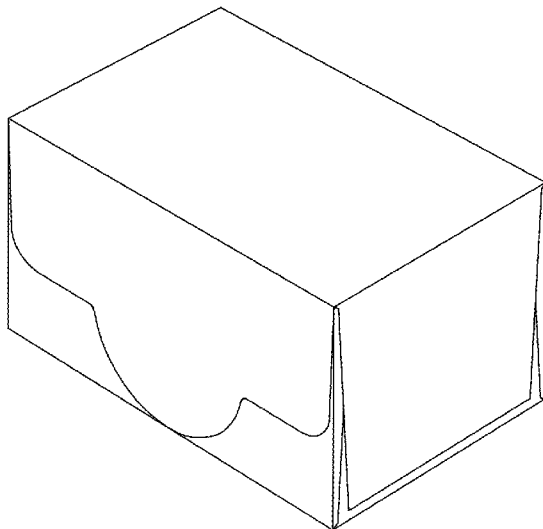
(57) **CLAIM**

The ornamental design of a carton, as shown and described.

DESCRIPTION

FIG. 1 is a front perspective view from the top and right side of a carton showing the design;
FIG. 2 is a front view thereof;
FIG. 3 is a back view thereof;
FIG. 4 is a top view thereof;
FIG. 5 is a bottom view thereof;
FIG. 6 is a left-side view thereof;
FIG. 7 is a right-side view thereof; and,
FIG. 8 is a front perspective view thereof from top and right side in an open position.

1 Claim, 5 Drawing Sheets



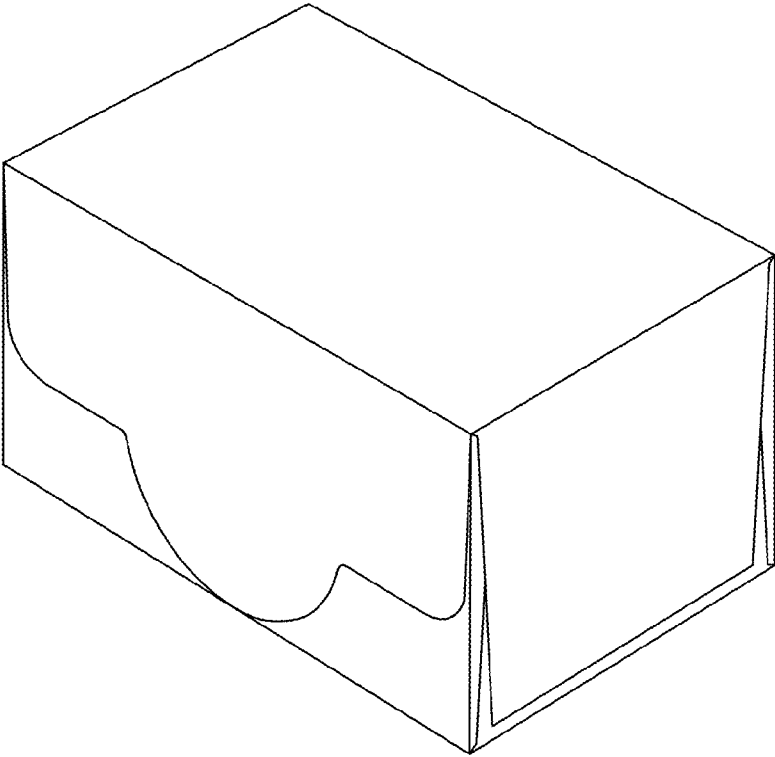


FIG. 1

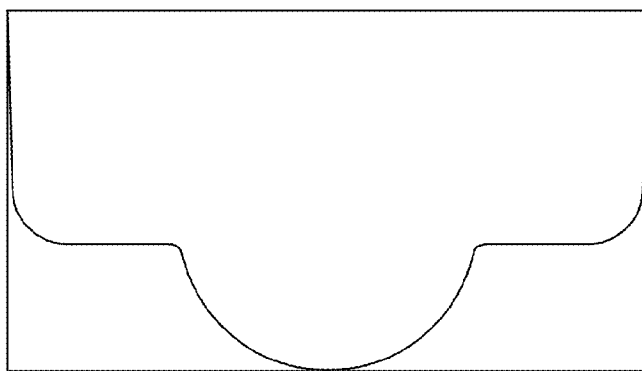


FIG. 2

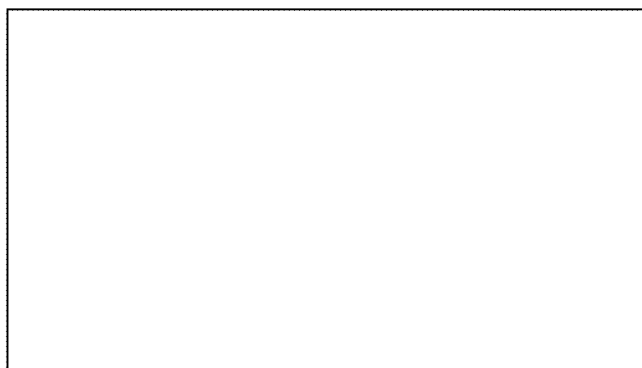


FIG. 3



FIG. 4



FIG. 5

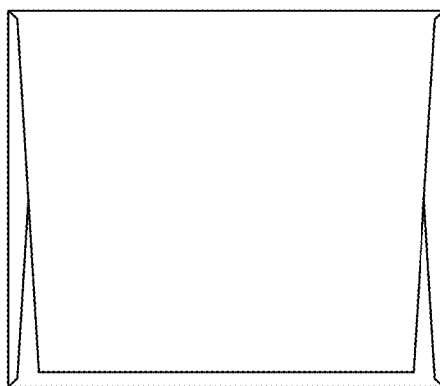


FIG. 6

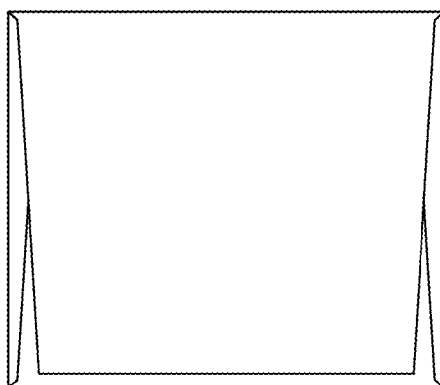


FIG. 7

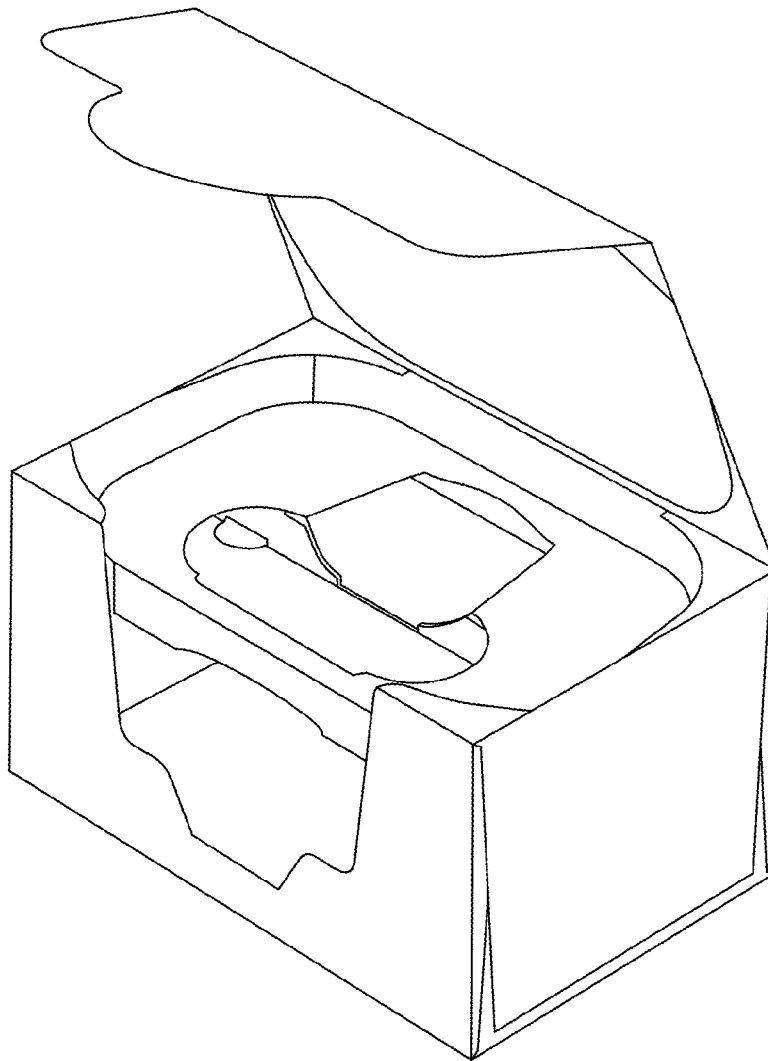


FIG.8