



US00D830103S

(12) **United States Design Patent**
Cao

(10) **Patent No.:** **US D830,103 S**

(45) **Date of Patent:** **** Oct. 9, 2018**

(54) **ELECTRIC DEEP FRYER**

(56) **References Cited**

(71) Applicant: **SEB, Selongey (FR)**

U.S. PATENT DOCUMENTS

(72) Inventor: **Wu Wei Cao, Shun De (CN)**

D414,072	S	*	9/1999	Powell	D7/354
D465,125	S	*	11/2002	Chedal Anglay	D7/354
6,807,899	B2	*	10/2004	Dirand	A47J 37/1271 219/438
D533,014	S	*	12/2006	Choi	D7/354
D592,008	S	*	5/2009	Reiner	D7/354
D600,066	S	*	9/2009	Seymour	D7/354
D610,866	S	*	3/2010	Fiorotto	D7/354
D672,600	S	*	12/2012	Berge	D7/354
D676,271	S	*	2/2013	Reiner	D7/354
D677,112	S	*	3/2013	Piret	D7/354
D677,113	S	*	3/2013	Reiner	D7/354
D680,800	S	*	4/2013	Berge	D7/354

(73) Assignee: **SEB, Selongey (FR)**

(**) Term: **15 Years**

(21) Appl. No.: **29/611,776**

(22) Filed: **Jul. 25, 2017**

(30) **Foreign Application Priority Data**

Jan. 26, 2017 (EM) 003712082-0001

(51) **LOC (11) Cl.** **07-02**

(52) **U.S. Cl.**
USPC **D7/354; D7/361**

(58) **Field of Classification Search**
USPC D7/323, 350.2, 354-361, 381, 402, 560
CPC A23L 1/01; A23L 1/0107; A23L 1/0114;
A47J 27/00; A47J 27/08; A47J 27/09;
A47J 27/092; A47J 36/025; A47J 36/06;
A47J 36/08; A47J 36/10; A47J 36/12;
A47J 36/165; A47J 36/18; A47J 36/20;
A47J 36/22; A47J 37/00; A47J 37/12;
A47J 37/1204; A47J 37/1209; A47J
37/1214; A47J 37/1219; A47J 37/1266;
A47J 37/1271; A47J 37/1285; A47J
37/129; A47J 37/1295; G07F 17/0064;
G07F 17/0078; G07F 17/0085; H05B
6/02; H05B 6/06; H05B 6/12

See application file for complete search history.

* cited by examiner

Primary Examiner — Ricky Pham

(74) *Attorney, Agent, or Firm* — Loeb & Loeb LLP

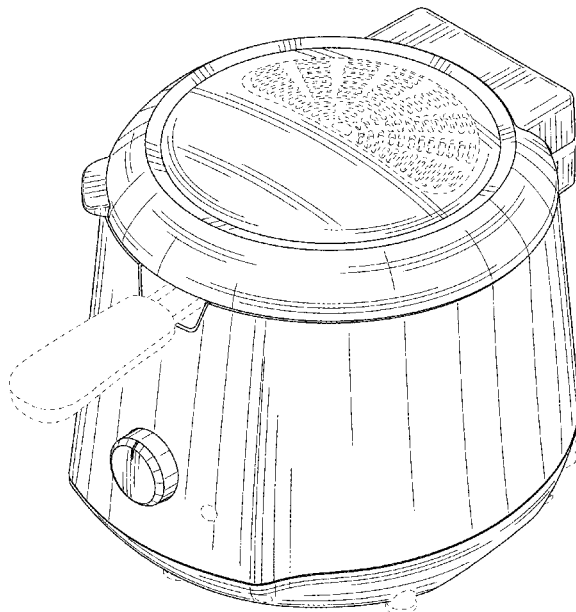
(57) **CLAIM**

The ornamental design for an electric deep fryer, as shown and described.

DESCRIPTION

FIG. 1 is a perspective view of an electric deep fryer showing my new design;
FIG. 2 is a front elevational view thereof;
FIG. 3 is a back elevational view thereof;
FIG. 4 is a right side elevational view thereof;
FIG. 5 is a left side elevational view thereof;
FIG. 6 is a top view thereof; and,
FIG. 7 is a bottom view thereof.
The broken lines shown in the drawings are for the purpose of illustrating portions of the electric deep fryer that form no part of the claimed design.

1 Claim, 7 Drawing Sheets



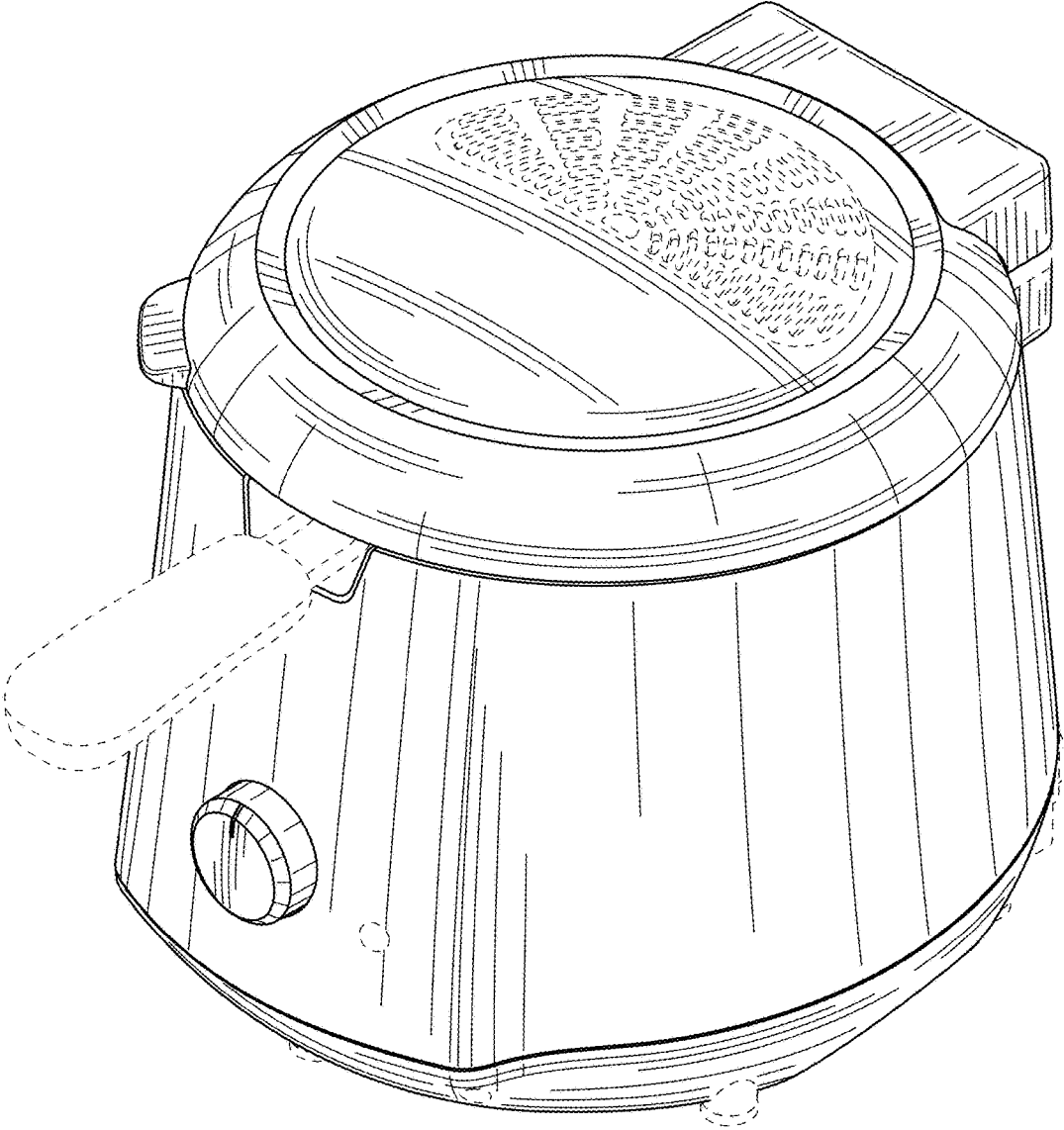


FIG. 1

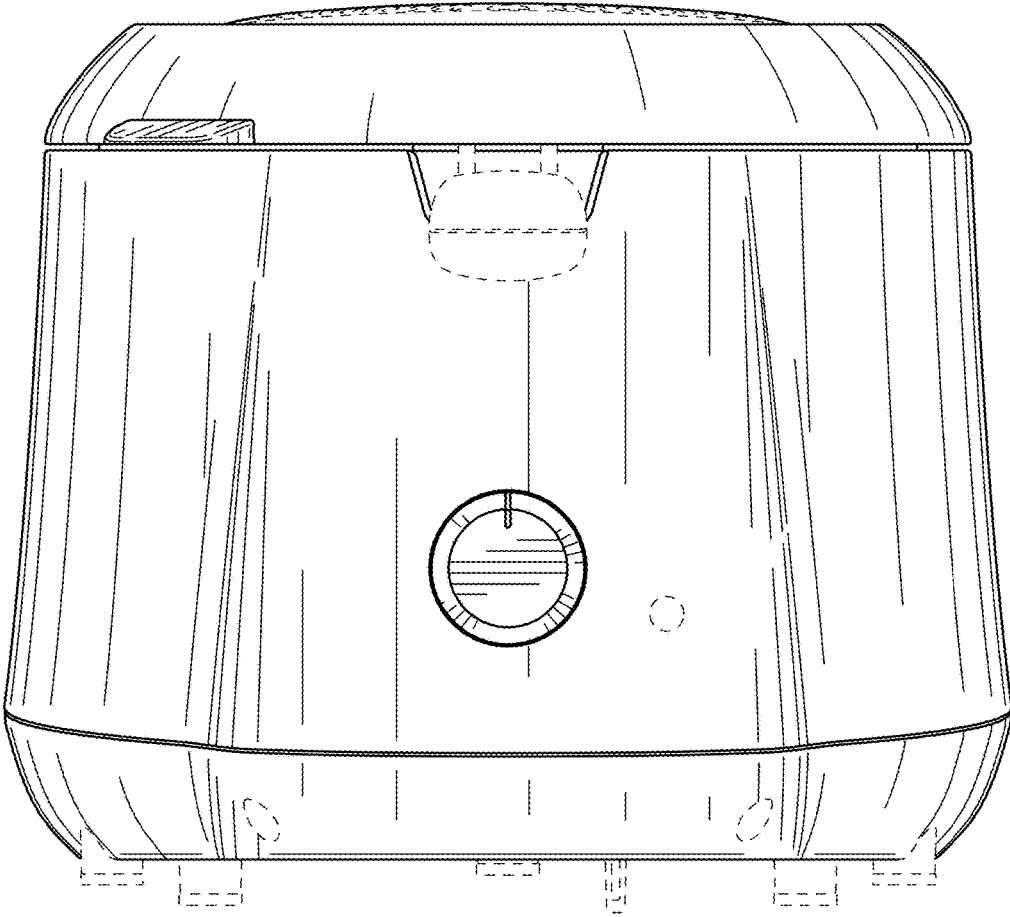


FIG. 2

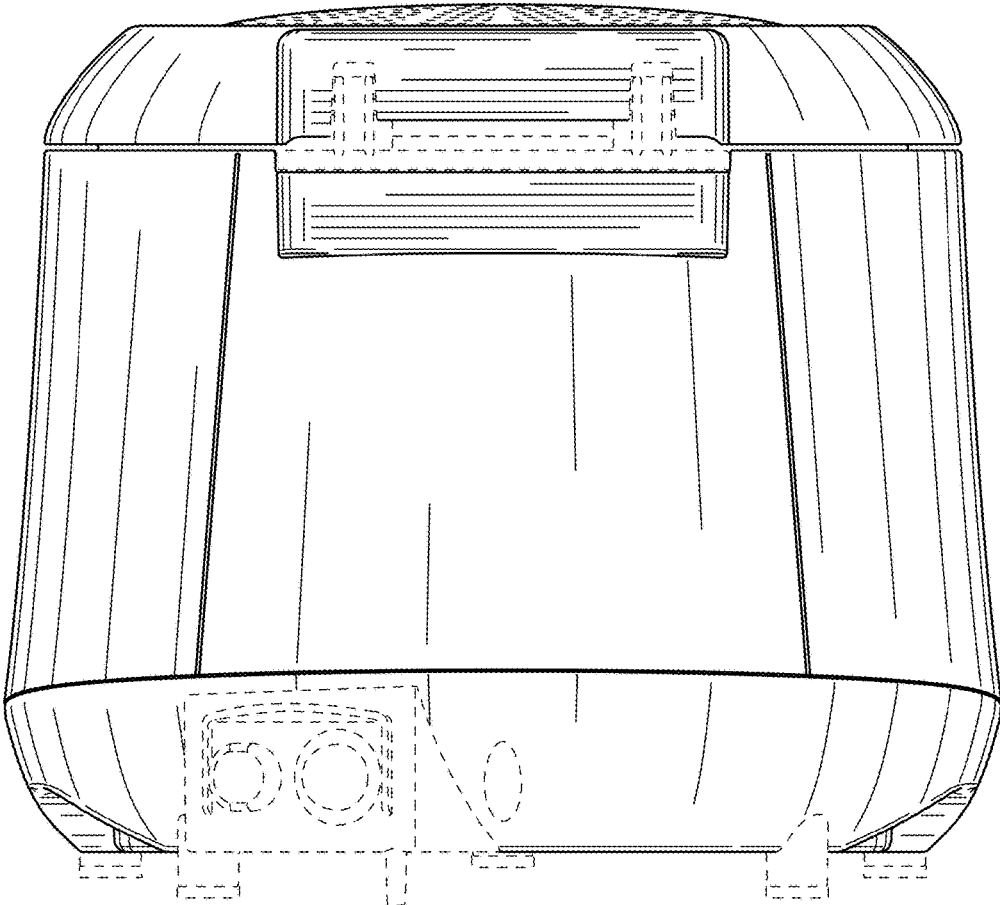


FIG. 3

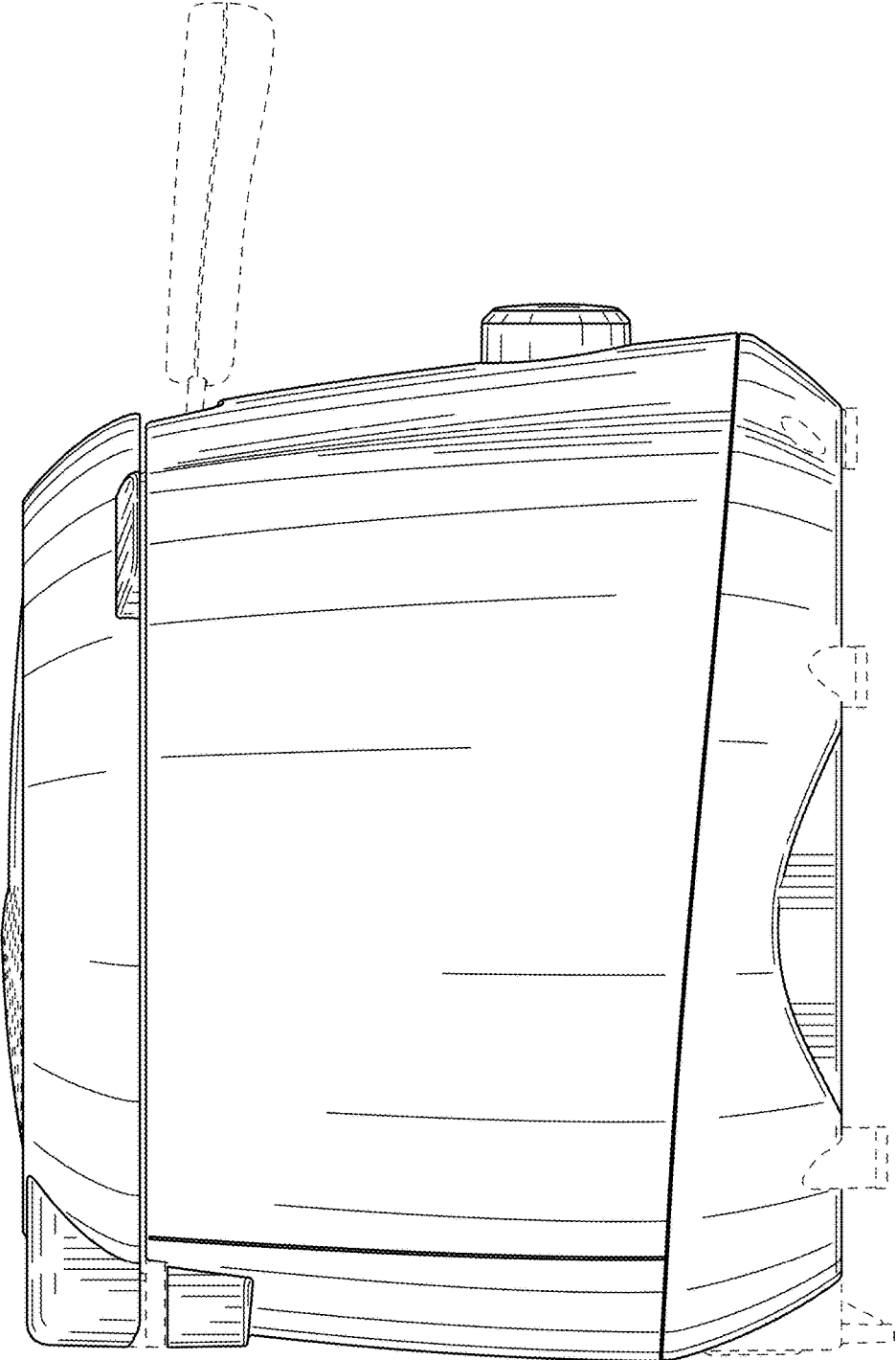


FIG. 4

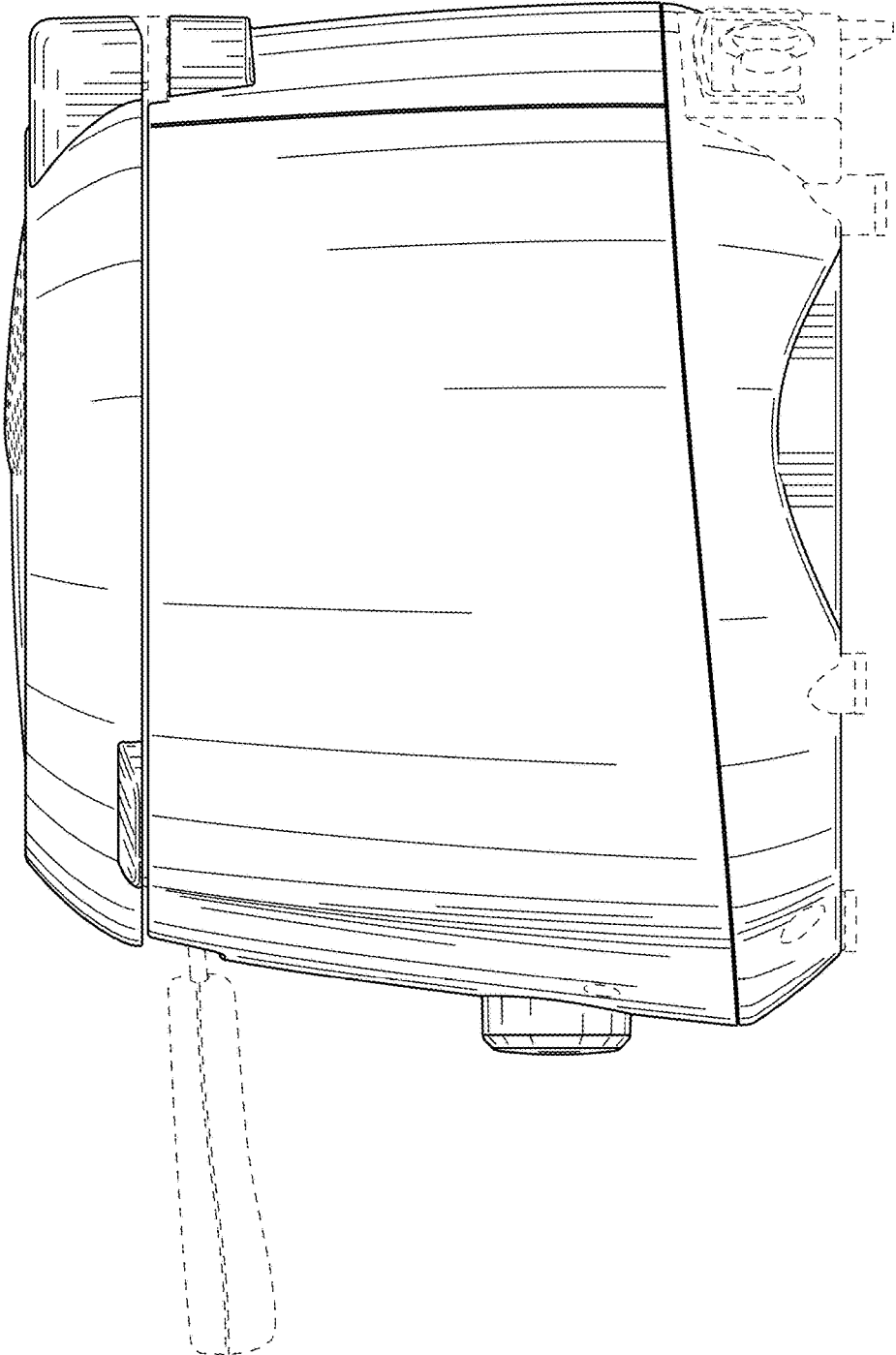


FIG. 5

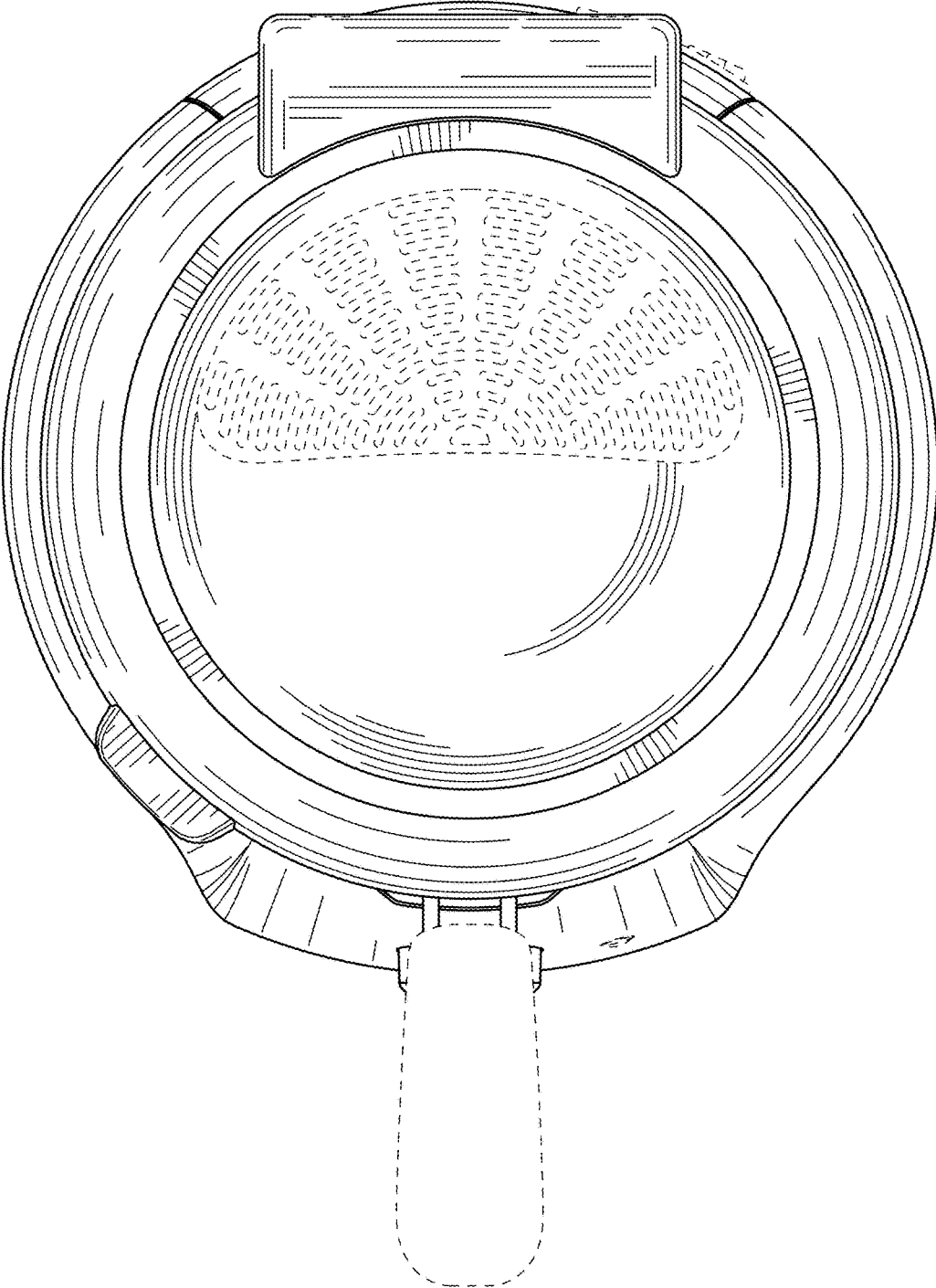


FIG. 6

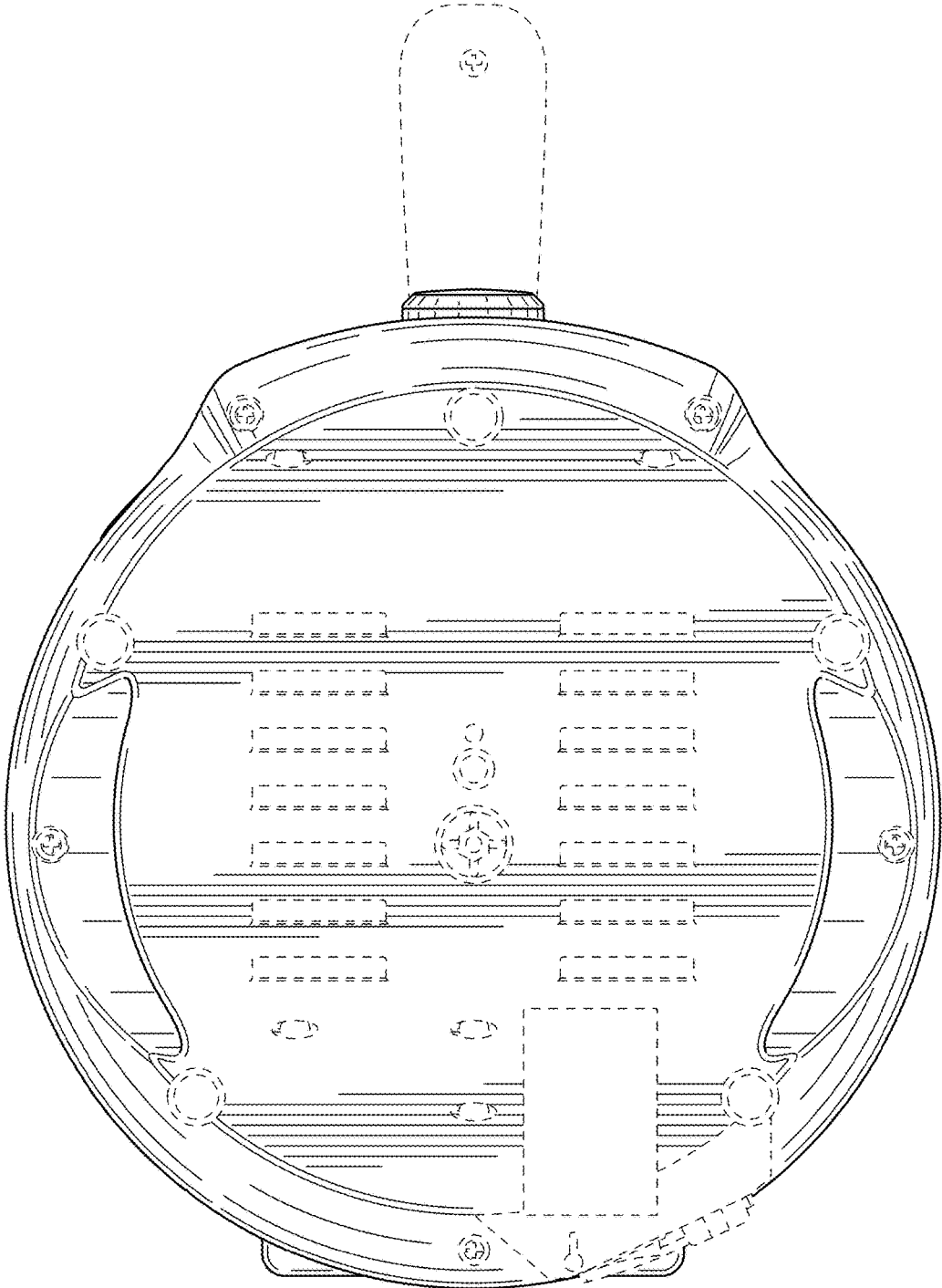


FIG. 7