



US00D857289S

(12) **United States Design Patent** (10) **Patent No.:** **US D857,289 S**
Behnke et al. (45) **Date of Patent:** **** Aug. 20, 2019**

(54) **LIGHTING FIXTURE**

OTHER PUBLICATIONS

(71) Applicant: **USAI, LLC**, New Windsor, NY (US)

Surface Mount Square 1-Light LED Flush Mount fixture by Bruck Lighting. SKU: BBB3018. Available at wayfair.com as early as Feb. 21, 2019. (Year: 2019).*

(72) Inventors: **Jaclyn Behnke**, Highland, NY (US);
Frank Cogliano, Pomona, NY (US)

(Continued)

(73) Assignee: **USAI, LLC**, New Windsor, NY (US)

Primary Examiner — Clare E Heflin

(**) Term: **15 Years**

(74) *Attorney, Agent, or Firm* — St. Onge Steward Johnston & Reens LLC

(21) Appl. No.: **29/675,301**

(22) Filed: **Dec. 31, 2018**

(57) **CLAIM**

Related U.S. Application Data

The ornamental design for a lighting fixture, as shown and described.

(63) Continuation of application No. 15/972,881, filed on May 7, 2018.

(51) **LOC (12) Cl.** **26-99**

(52) **U.S. Cl.**
USPC **D26/142**

(58) **Field of Classification Search**
USPC D26/72, 85, 89, 118, 128, 141, 142, 74,
D26/80

CPC ... F21V 21/02; F21V 7/04; F21V 7/05; F21V
1/12; F21S 8/03

See application file for complete search history.

DESCRIPTION

FIG. 1 is a perspective view, from the bottom, of a first embodiment of a lighting fixture in accordance with the new design;

FIG. 2 is a front view thereof, with the rear view being a mirror image;

FIG. 3 is a left side view thereof;

FIG. 4 is a right side view thereof;

FIG. 5 is a bottom view thereof, with the top forming no part of the claimed design;

FIG. 6 is a perspective view, from the bottom, of a second embodiment of a lighting fixture in accordance with the new design;

FIG. 7 is a front view thereof, with the rear being identical;

FIG. 8 is a left side view thereof, with the right side being identical; and,

FIG. 9 is a bottom view thereof, with the top forming no part of the claimed design.

The broken lines shown in FIGS. 1-9 are for the purpose of illustrating portions of the lighting fixture that form no part of the claimed design.

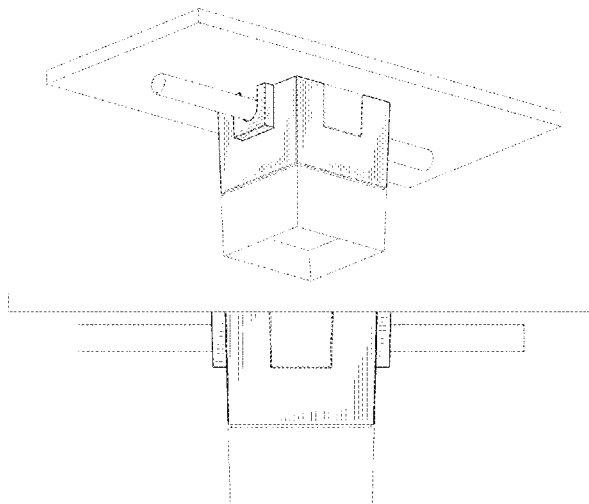
(56) **References Cited**

U.S. PATENT DOCUMENTS

825,445	A *	7/1906	Benjamin	F21V 7/04 362/227
2,034,556	A *	3/1936	Billier	F21V 7/04 362/302
D147,093	S	7/1947	Vorsanger		
D298,173	S	10/1988	Oosterheerd		
D339,651	S	9/1993	Vieyra		
D345,790	S	4/1994	Caldwell		
D382,663	S	8/1997	Barry		
D399,328	S *	10/1998	Compton	D26/72
D400,287	S	10/1998	Littman et al.		
D443,942	S *	6/2001	Dye	D26/72

(Continued)

1 Claim, 8 Drawing Sheets



(56)

References Cited

U.S. PATENT DOCUMENTS

D445,527 S 7/2001 Nicholas
 D480,828 S * 10/2003 Block D26/110
 D547,484 S * 7/2007 Guercio D26/89
 D557,438 S 12/2007 Hsu
 D565,230 S 3/2008 Hetfield et al.
 D604,445 S 11/2009 Ko et al.
 D637,339 S * 5/2011 Hasan D26/72
 D637,340 S 5/2011 Hasan et al.
 D707,383 S * 6/2014 Carraher D26/89
 D722,402 S 2/2015 Orozco
 D740,992 S 10/2015 Orozco
 D747,029 S 1/2016 Reynolds
 9,435,353 B1 * 9/2016 Gretz F04D 29/601
 9,466,962 B1 * 10/2016 Gretz H02G 3/20
 D791,384 S 7/2017 Park
 D799,099 S * 10/2017 Gismondi D26/89
 D806,304 S 12/2017 Amato et al.
 D813,436 S * 3/2018 Verelst D26/72

D813,438 S * 3/2018 Vyvey D26/72
 D818,625 S * 5/2018 Hohaus D26/72
 D821,627 S * 6/2018 Ko D26/74
 D823,522 S 7/2018 Gambrel et al.
 D829,953 S * 10/2018 Botti D26/74
 D829,959 S 10/2018 Amato et al.
 2016/0319988 A1 * 11/2016 Mathews F21V 21/03
 2017/0268736 A1 * 9/2017 Harpenau F21V 21/04
 2018/0087750 A1 * 3/2018 Boulanger F21V 21/02
 2018/0128446 A1 * 5/2018 Dietz F21V 1/12
 2018/0328573 A1 * 11/2018 Behnke F21V 21/02

OTHER PUBLICATIONS

Chinese Gold Supplier IP65 Surface Mounted Square Downlight LED spot light dimmable. Found at alibaba.com visited Mar. 18, 2019. (Year: 2019).*
 COB Square mounted LED downlight No. 425557733 found at dhgate.com visited Mar. 18, 2019. (Year: 2019).*

* cited by examiner

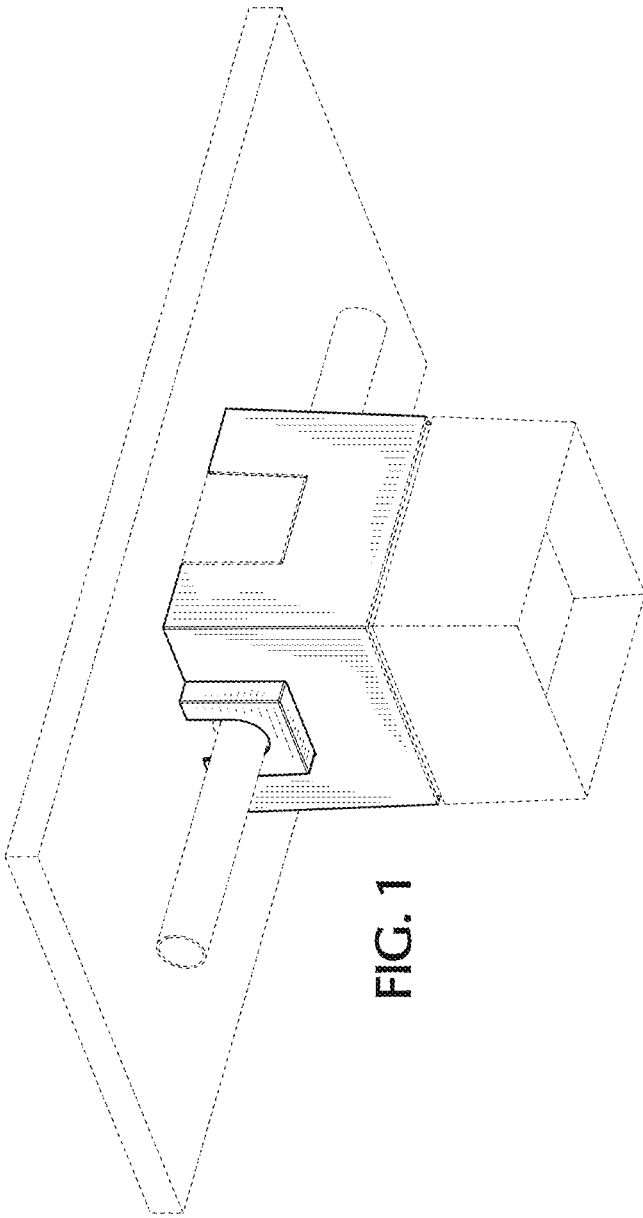


FIG. 1

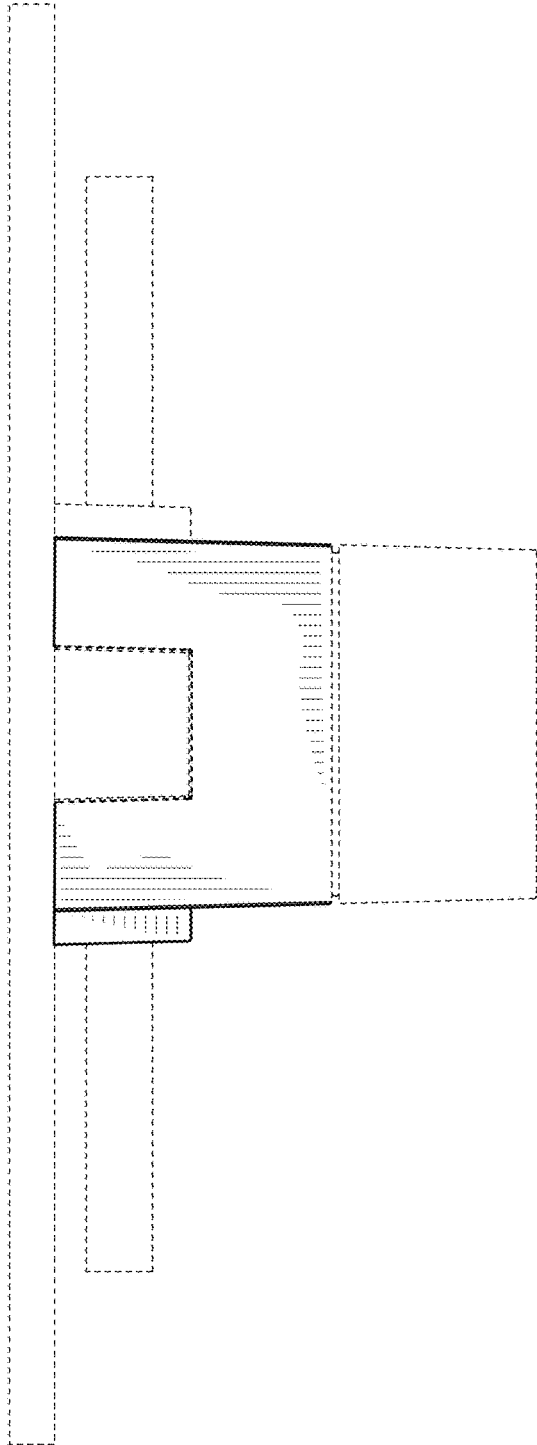


FIG. 2

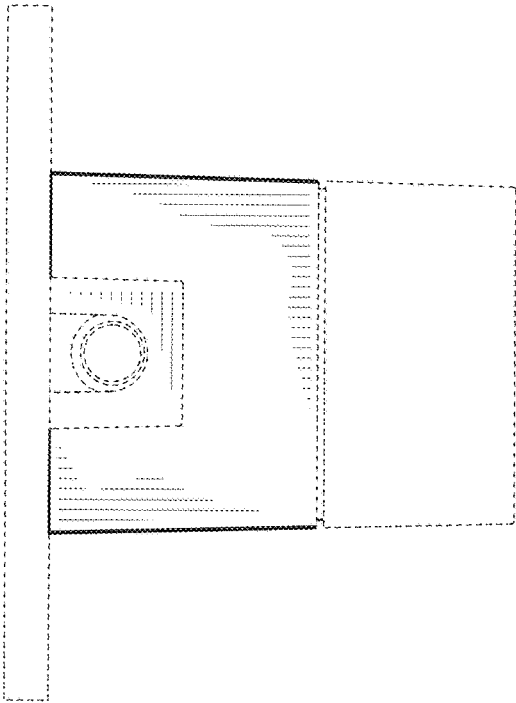


FIG. 3

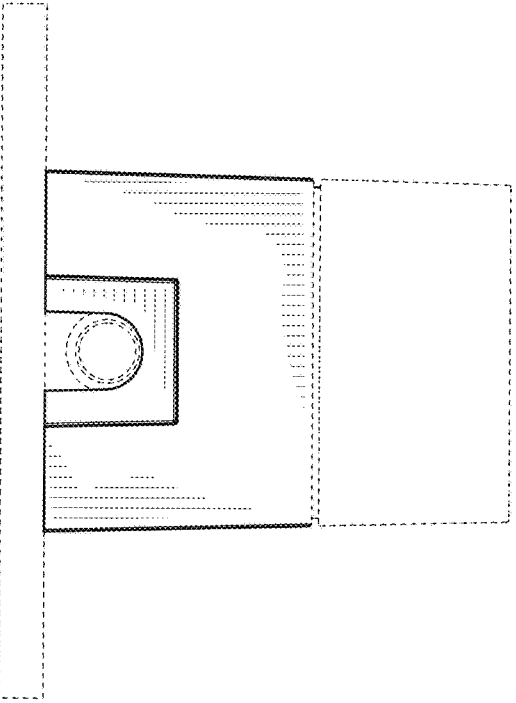


FIG. 4

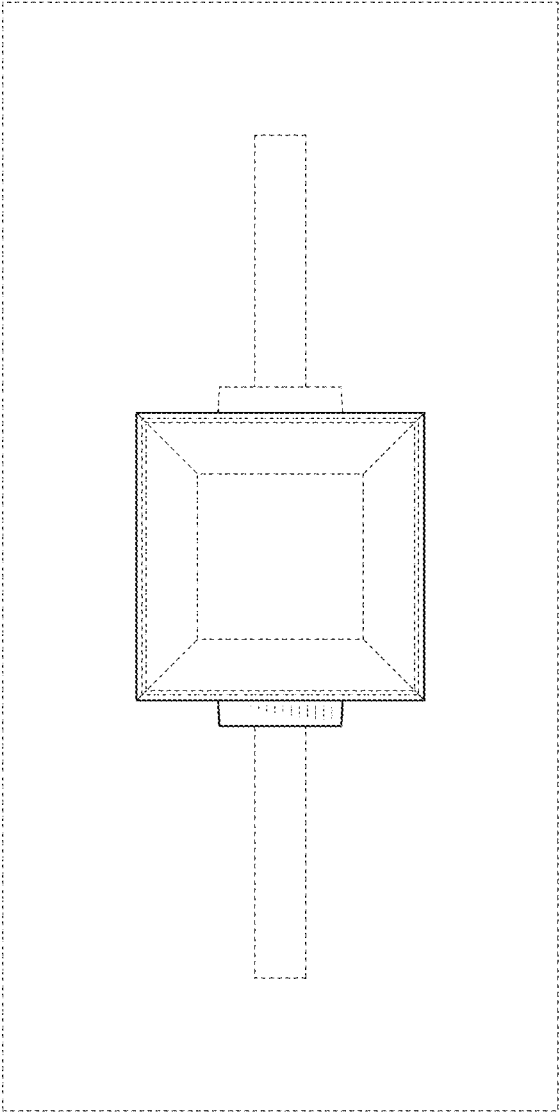


FIG. 5

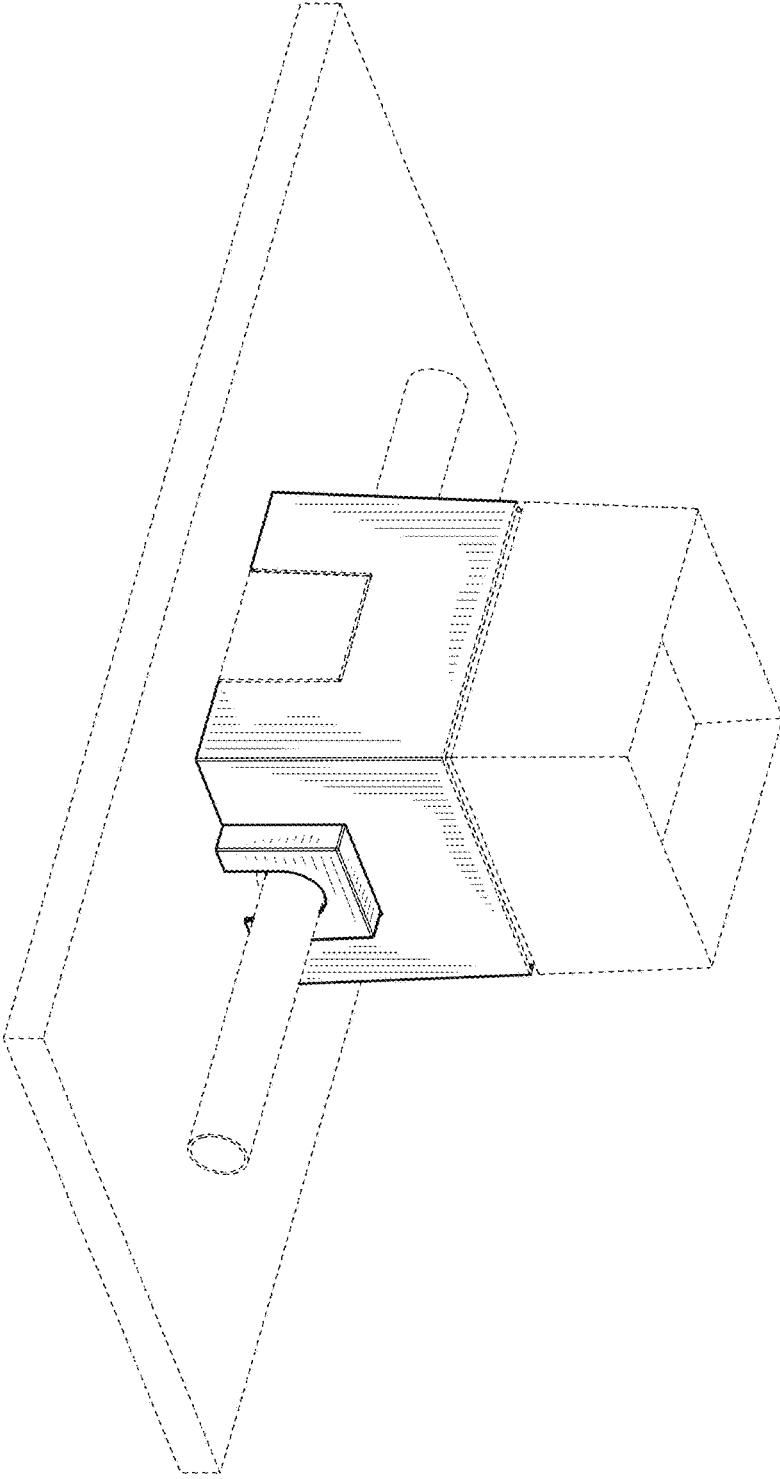


FIG. 6

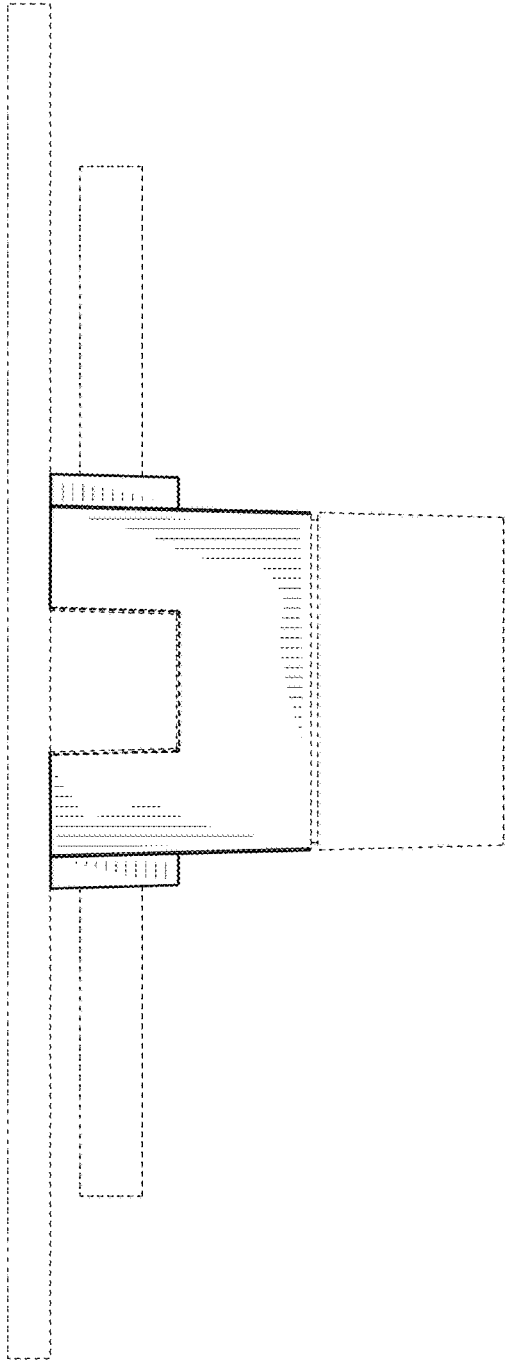


FIG. 7

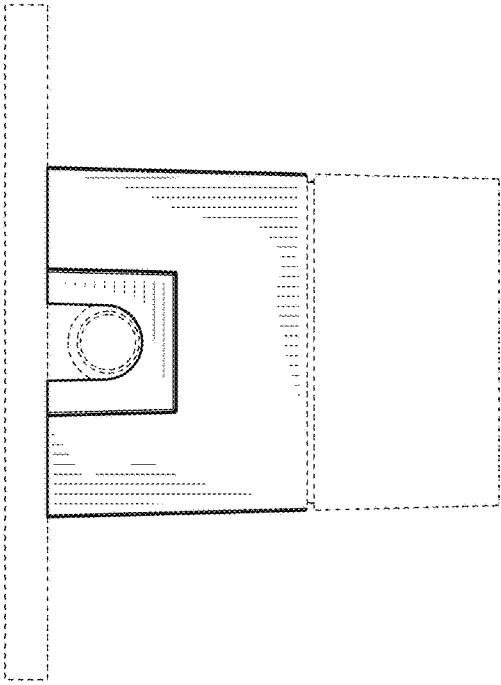


FIG. 8

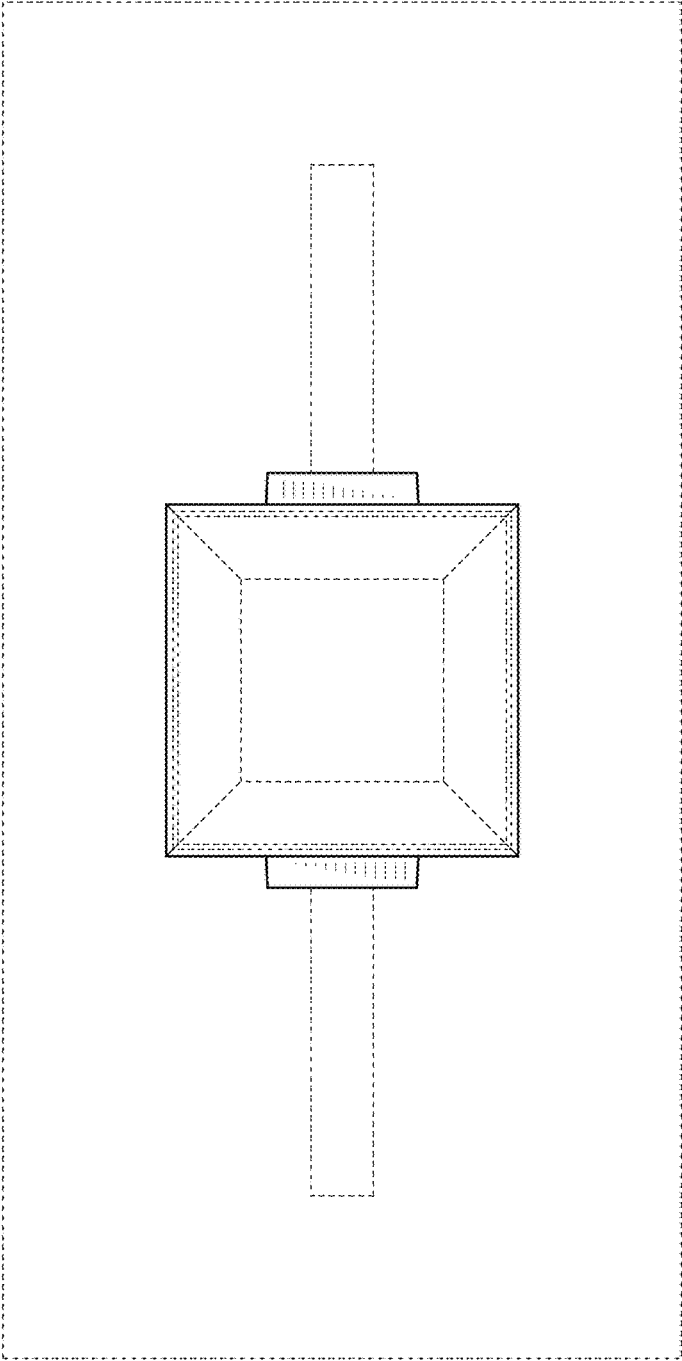


FIG. 9