



US00D896696S

(12) **United States Design Patent**  
**Gao**

(10) **Patent No.:** **US D896,696 S**

(45) **Date of Patent:** **\*\* Sep. 22, 2020**

- (54) **BUCKLE**
- (71) Applicant: **Foshan Tuorun Precision Hardware Technology Co., Ltd., Foshan (CN)**
- (72) Inventor: **Maoyang Gao, Foshan (CN)**
- (73) Assignee: **Foshan Tuorun Precision Hardware Technology Co., Ltd. (CN)**

- 5,551,131 A \* 9/1996 Anscher ..... A44B 11/263  
24/606
- D385,826 S \* 11/1997 Anscher ..... D11/200
- 5,926,928 A \* 7/1999 Lundstedt ..... A44B 11/266  
24/615
- D412,462 S \* 8/1999 Fildan ..... D11/208
- D472,500 S \* 4/2003 Uehara ..... D11/216
- D523,375 S \* 6/2006 Nezu ..... D11/216
- D536,642 S \* 2/2007 Pontaoe ..... D11/216
- D632,608 S \* 2/2011 Corrado ..... D11/208

(\*\*) Term: **15 Years**

(21) Appl. No.: **29/694,560**

(22) Filed: **Jun. 11, 2019**

(51) **LOC (12) Cl.** ..... **02-07**

(52) **U.S. Cl.**  
USPC ..... **D11/218**

(58) **Field of Classification Search**  
USPC ..... D21/804; D8/44, 349, 356;  
D11/200-241; D16/311  
CPC ... A63B 33/00; A63B 33/002; A44B 17/0088;  
A44B 13/0017  
See application file for complete search history.

(56) **References Cited**

**U.S. PATENT DOCUMENTS**

- D274,862 S \* 7/1984 Fildan ..... D11/208
- D343,144 S \* 1/1994 Matoba ..... D11/216
- D349,871 S \* 8/1994 Murai ..... D11/200

**FOREIGN PATENT DOCUMENTS**

CN 305481841 \* 12/2019

\* cited by examiner

*Primary Examiner* — Michelle E. Wilson

*Assistant Examiner* — Tracey J Bell

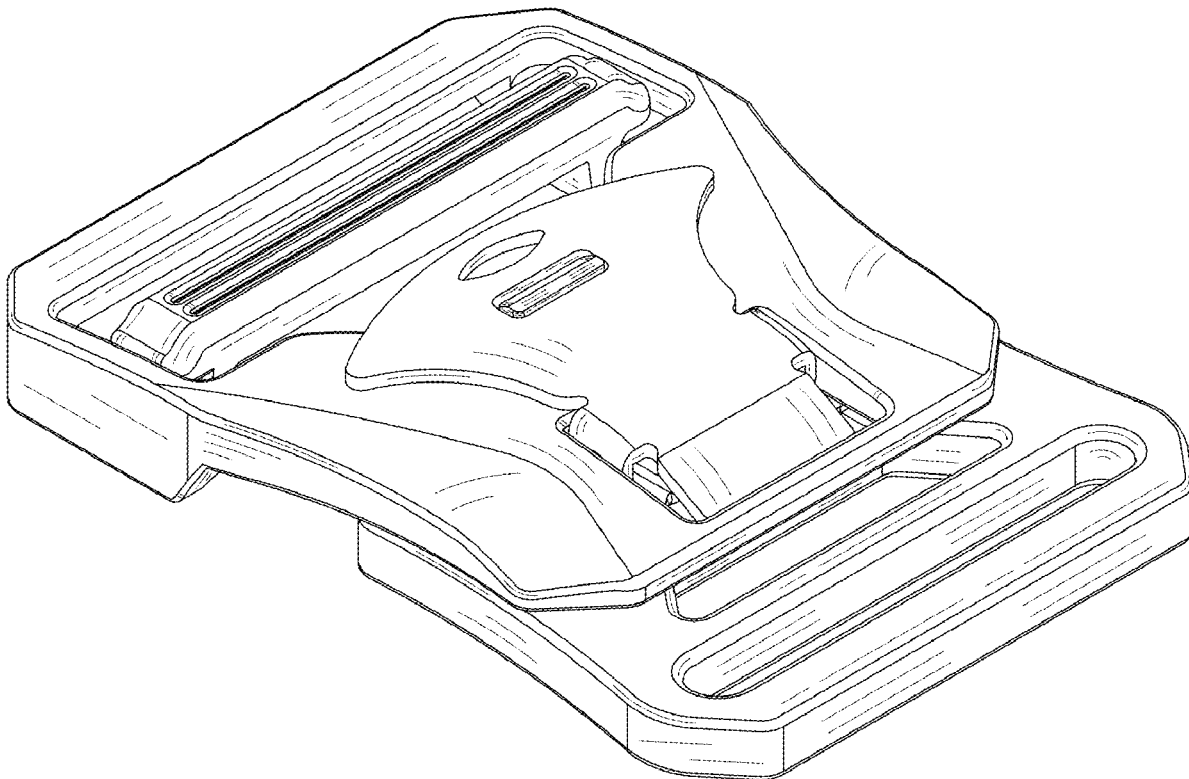
(57) **CLAIM**

The ornamental design for a buckle, as shown and described.

**DESCRIPTION**

FIG. 1 is a front view of a buckle, showing my new design;  
FIG. 2 is a back view thereof;  
FIG. 3 is a left side view thereof;  
FIG. 4 is a right side view thereof;  
FIG. 5 is a top view thereof;  
FIG. 6 is a bottom view thereof;  
FIG. 7 is a perspective view thereof; and,  
FIG. 8 is another perspective view thereof.

**1 Claim, 8 Drawing Sheets**



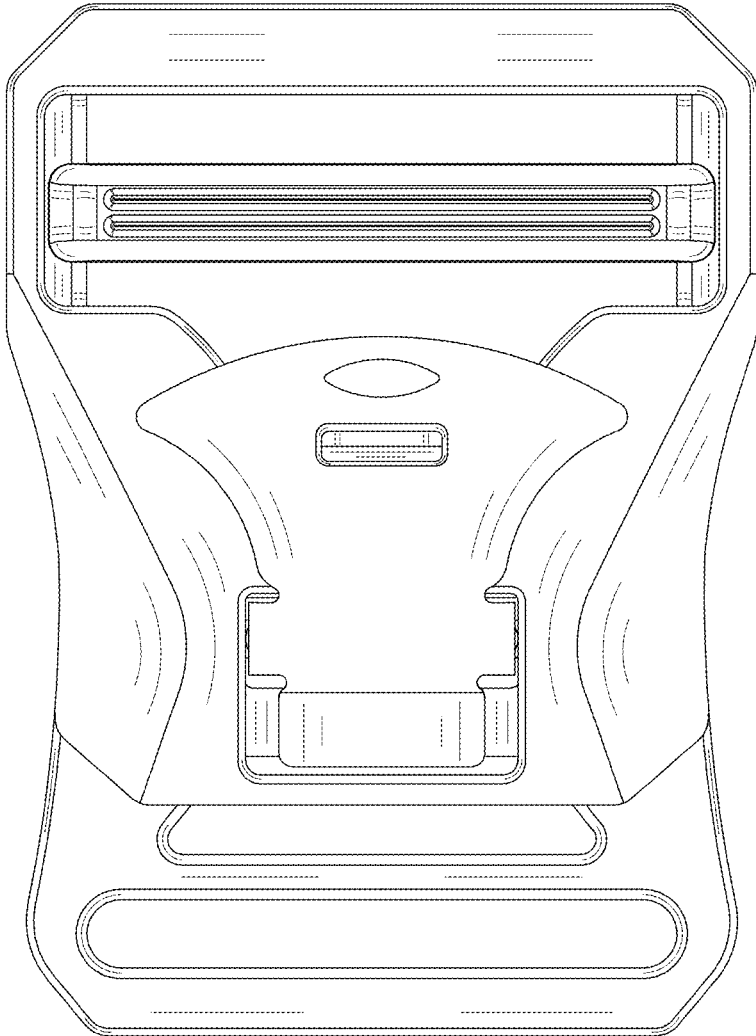


FIG. 1

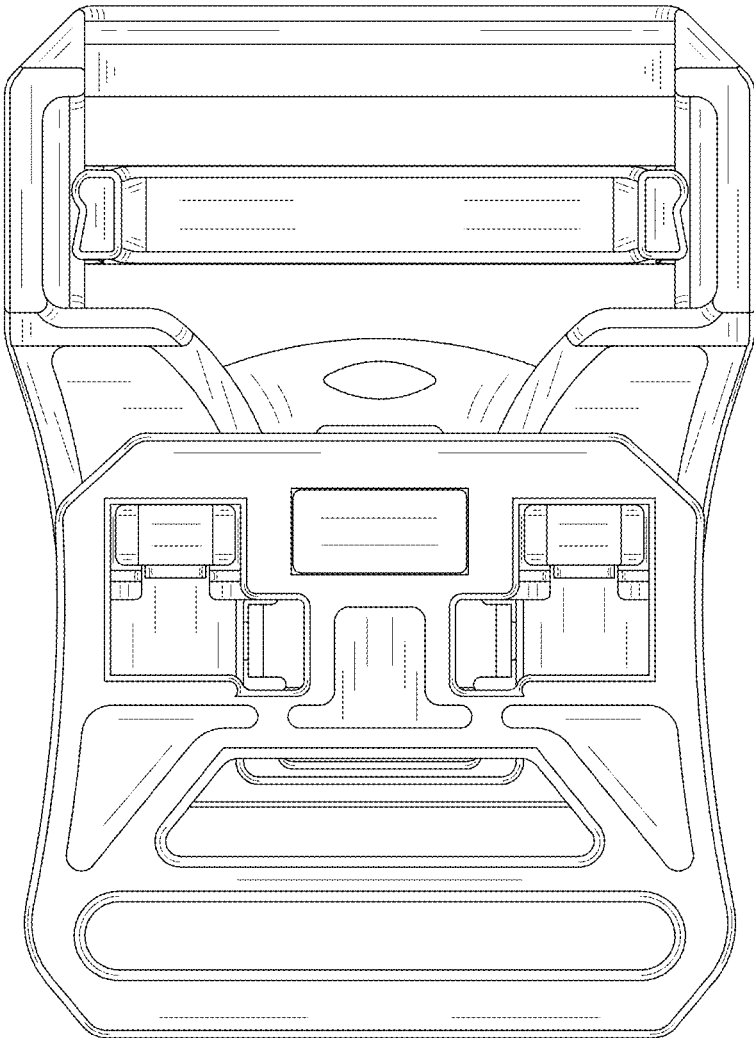


FIG. 2

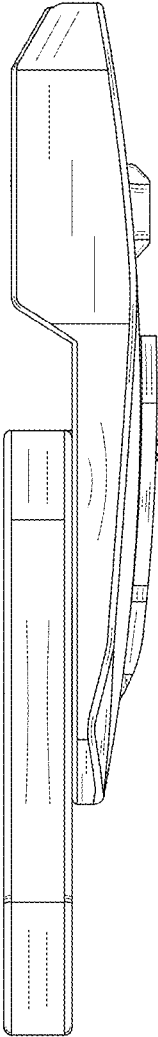


FIG. 3

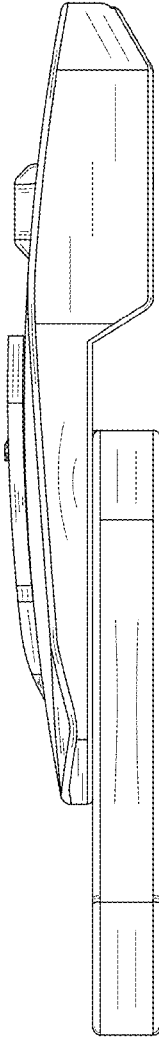


FIG. 4

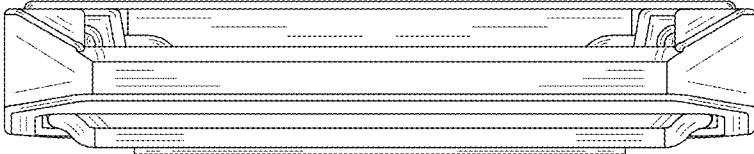


FIG. 5



FIG. 6

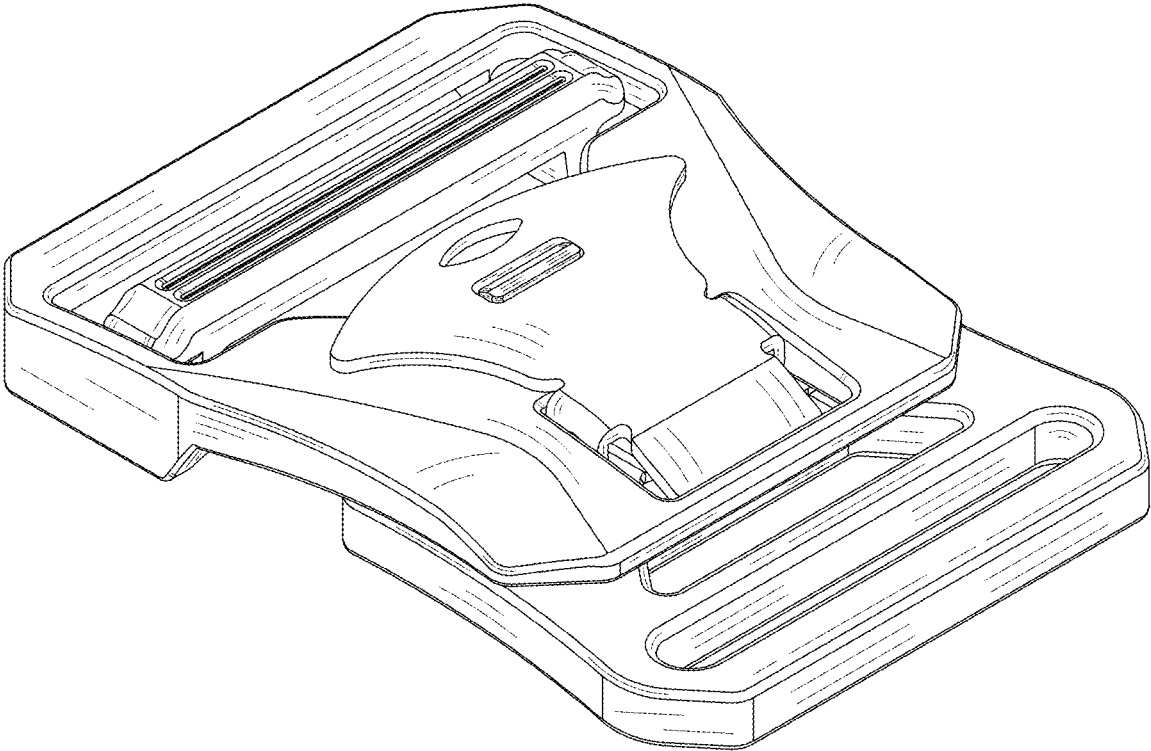


FIG. 7



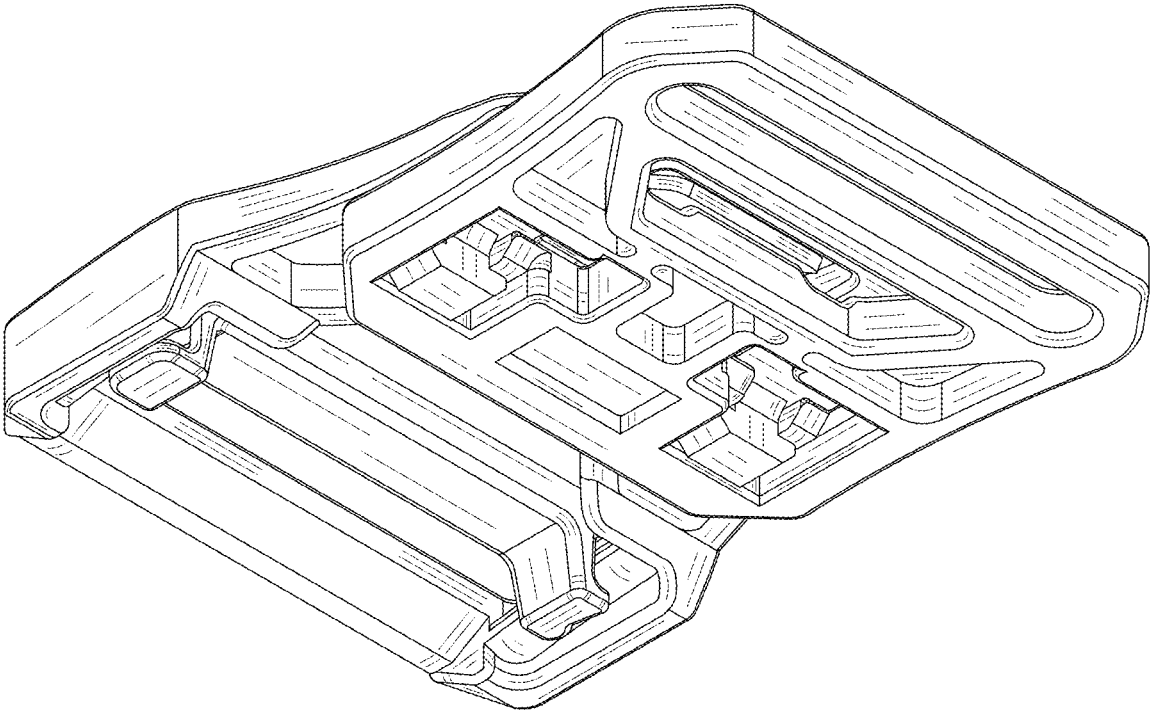


FIG. 8