



US00D690280S

(12) **United States Design Patent**
Schul

(10) **Patent No.:** **US D690,280 S**

(45) **Date of Patent:** **** Sep. 24, 2013**

(54) **COMBINED AUDIO PLAYER AND SPEAKER**

(75) Inventor: **Eran Schul**, St. Paul, MN (US)

(73) Assignee: **Imation Corp.**, Oakdale, MN (US)

(**) Term: **14 Years**

(21) Appl. No.: **29/410,487**

(22) Filed: **Jan. 9, 2012**

(51) **LOC (9) Cl.** **14-03**

(52) **U.S. Cl.**

USPC **D14/188**; D14/168; D14/197; D14/204

(58) **Field of Classification Search**

USPC D14/137, 155, 162, 167-172, 188,
D14/189, 193-198, 203.1-203.8, 204, 207,
D14/208, 209.1, 210-217, 257, 258, 265,
D14/299, 496; 181/143, 144, 147, 148, 150,
181/153, 157, 198, 199; 381/300-303, 306,
381/332, 333, 336, 345, 361-364, 386-388;
369/6-12; 455/90.1-90.3, 344-355

See application file for complete search history.

(56)

References Cited

U.S. PATENT DOCUMENTS

D361,071 S *	8/1995	Mark	D14/211
D461,187 S *	8/2002	Andre et al.	D14/356
D476,308 S	6/2003	Bhavnani		
D527,722 S	9/2006	Yeh		
D535,942 S	1/2007	Kim		
7,212,110 B1	5/2007	Martin et al.		
D551,652 S *	9/2007	Nakamura	D14/500
D552,053 S	10/2007	Kim		
D571,356 S *	6/2008	Smith	D14/214
D575,766 S *	8/2008	Harris	D14/188
D596,156 S	7/2009	Morisawa		
D610,569 S	2/2010	Fiebel et al.		
7,689,197 B2	3/2010	Laude et al.		
D621,813 S	8/2010	Wang et al.		
D624,527 S	9/2010	Ho et al.		

D629,827 S *	12/2010	Morenstein et al.	D16/221
D645,847 S	9/2011	Chau		
D646,665 S *	10/2011	Iijima	D14/214
D654,473 S *	2/2012	Paddock	D14/214
D657,343 S *	4/2012	Cho et al.	D14/188

(Continued)

OTHER PUBLICATIONS

Filing Receipt for U.S. Appl. No. 61/569,806, filed Dec. 13, 2011, 3p.

(Continued)

Primary Examiner — Keli L Hill

(74) *Attorney, Agent, or Firm* — Kenneth E. Levitt; Dorsey & Whitney LLP

(57)

CLAIM

The ornamental design for an combined audio player and speaker, as shown.

DESCRIPTION

FIG. 1 is a perspective view of an audio player and speaker system;

FIG. 2 is a front view of the audio player and speaker system of FIG. 1;

FIG. 3 is a rear view of the audio player and speaker system of FIG. 1;

FIG. 4 is a right side view of the audio player and speaker system of FIG. 1;

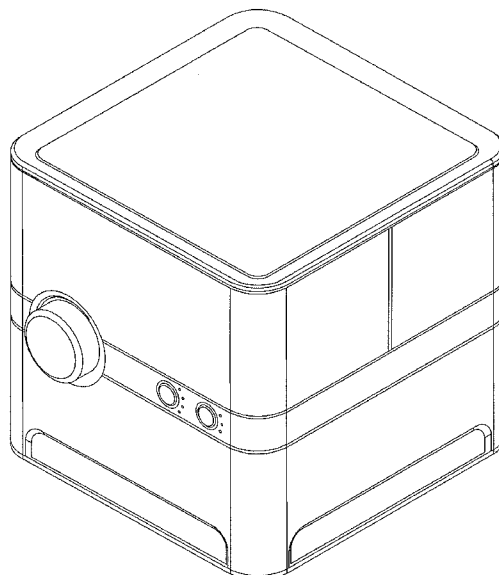
FIG. 5 is a left side view of the audio player and speaker system of FIG. 1;

FIG. 6 is a top view of the audio player and speaker system of FIG. 1; and,

FIG. 7 is a bottom view of the audio player and speaker system of FIG. 1.

The broken lines shown in the drawings are included for the purposes of illustrating the unclaimed portions of the article, and form no part of the claim.

1 Claim, 7 Drawing Sheets



(56)

References Cited

U.S. PATENT DOCUMENTS

8,180,095 B2 5/2012 Zhang
2004/0014426 A1 1/2004 Moore
2008/0025172 A1 1/2008 Holden et al.

OTHER PUBLICATIONS

Filing Receipt and application for Israeli Design Application 51531,
filed Nov. 11, 2011. 5p.

Design U.S. Appl. No. 29/410,496, filed Jan. 9, 2012, 28p.

Design U.S. Appl. No. 29/410,493, filed Jan. 9, 2012. 13p.

U.S. Appl. No. 13/737,241, filed Jan. 9, 2013. 44p.

U.S. Appl. No. 13/737,172, filed Jan. 9, 2013. 33p.

U.S. Appl. No. 13/737,365, filed Jan. 9, 2013. 35p.

* cited by examiner

FIG. 1

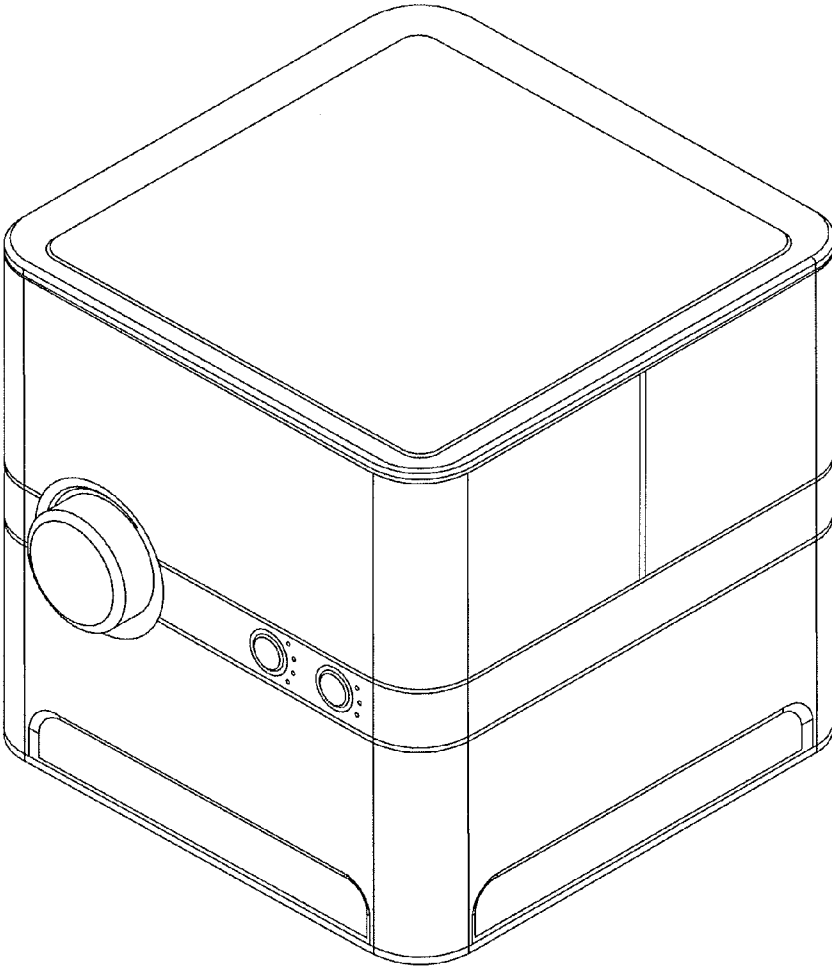


FIG. 2

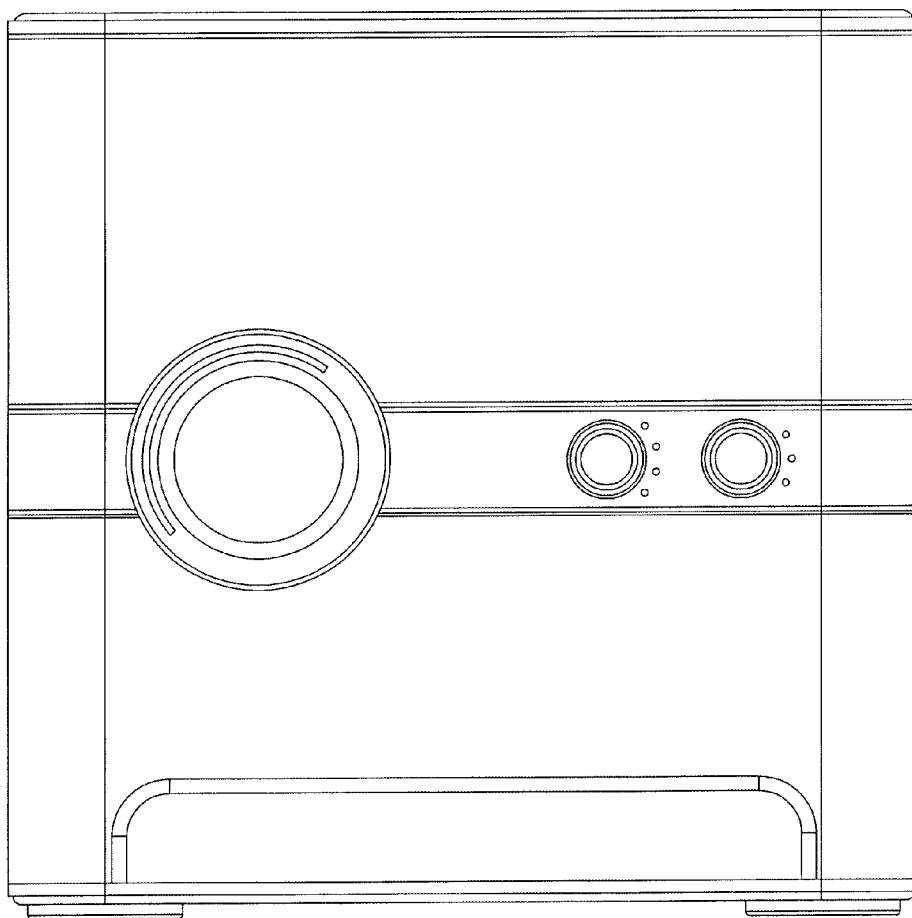


FIG. 3

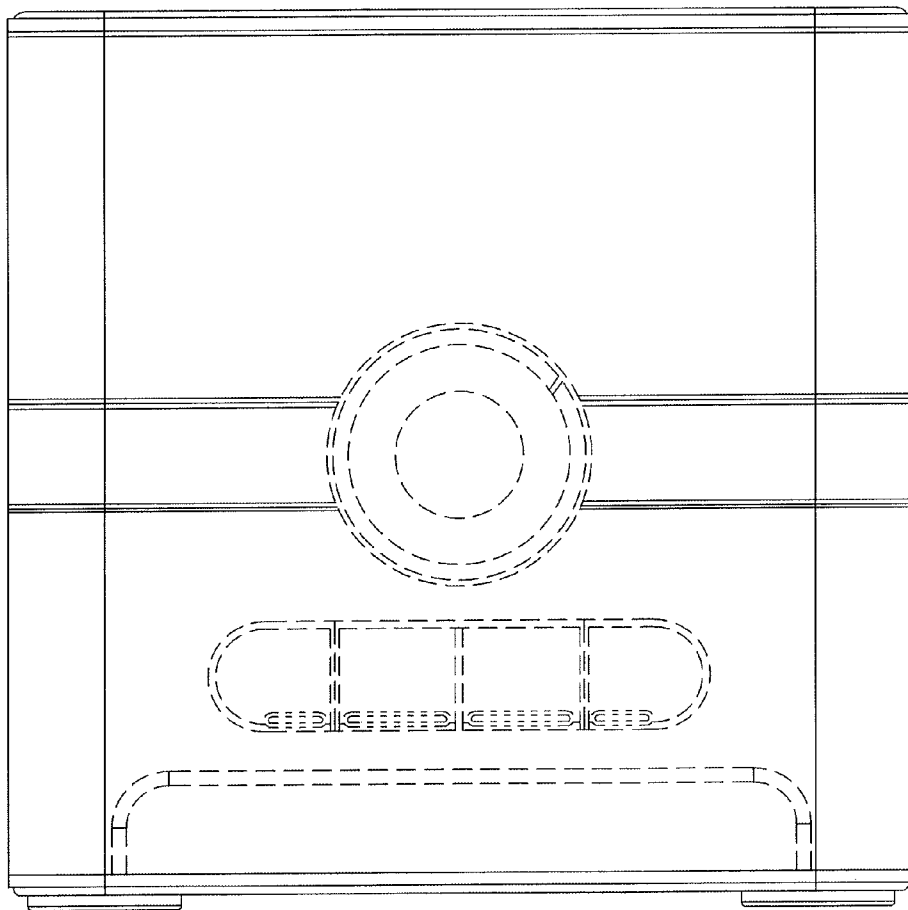


FIG. 4

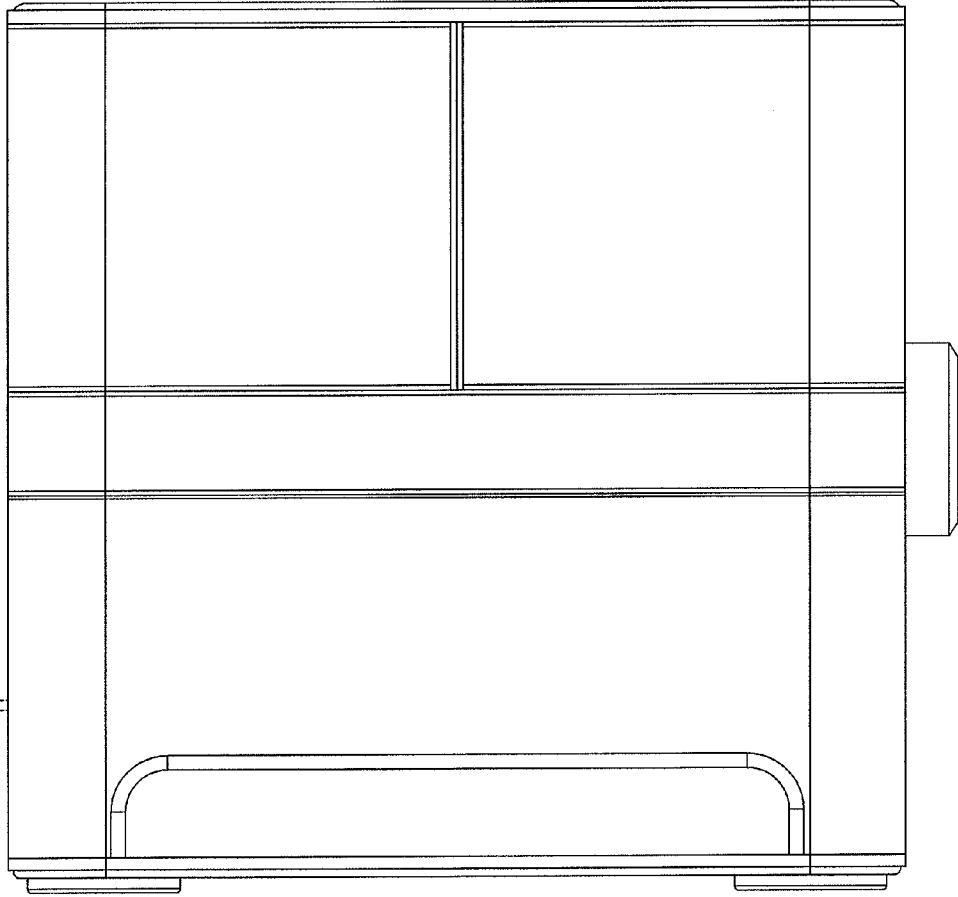


FIG. 5

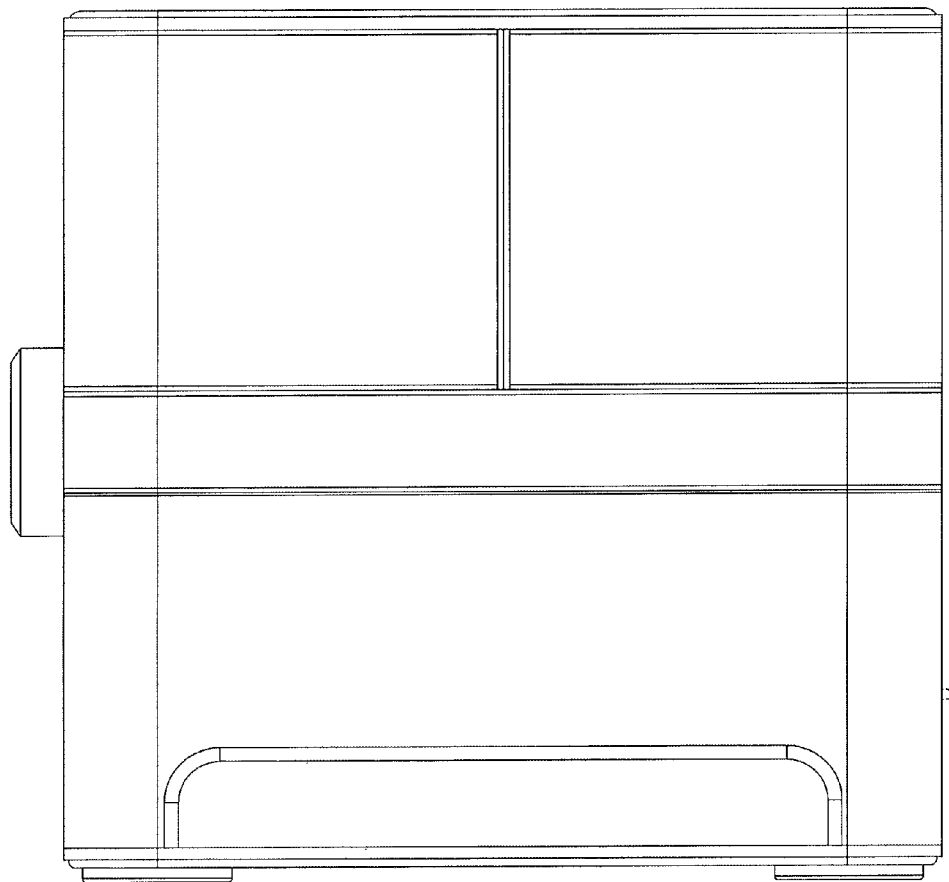


FIG. 6

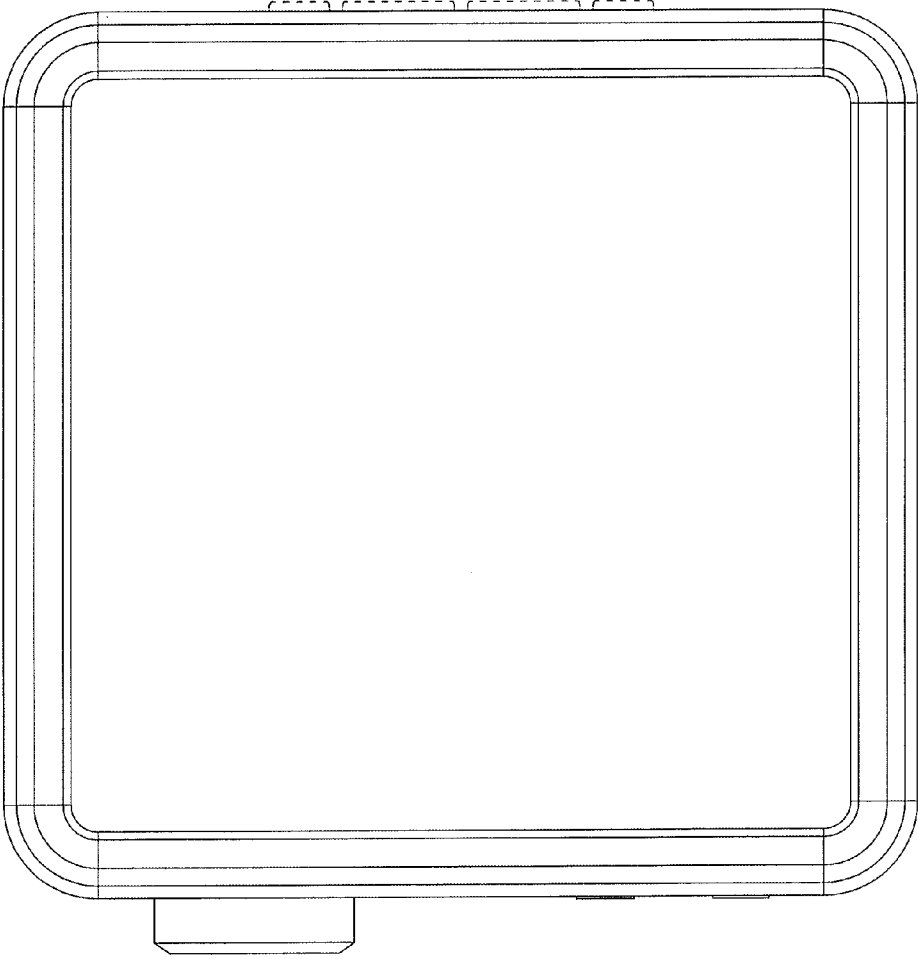
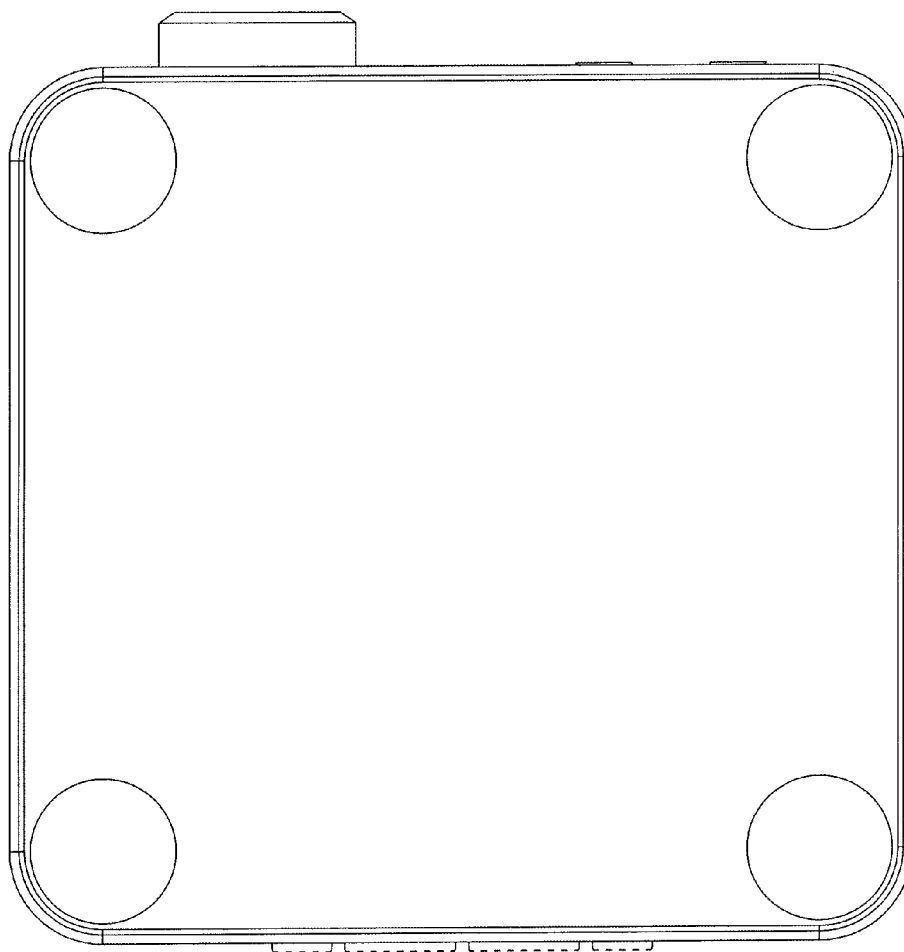


FIG. 7



UNITED STATES PATENT AND TRADEMARK OFFICE
CERTIFICATE OF CORRECTION

PATENT NO. : D690,280 S
APPLICATION NO. : 29/410487
DATED : September 24, 2013
INVENTOR(S) : Eran Schul

Page 1 of 1

It is certified that error appears in the above-identified patent and that said Letters Patent is hereby corrected as shown below:

On the Title Page

Claims

PTO

“The ornamental design for an
combined audio player and speaker,
as shown”

Should Be

—The ornamental design for a
combined audio player and
speaker, as shown—

Signed and Sealed this
Fifteenth Day of April, 2014



Michelle K. Lee
Deputy Director of the United States Patent and Trademark Office