



US00D800074S

(12) **United States Design Patent**
Masaki et al.

(10) **Patent No.:** **US D800,074 S**

(45) **Date of Patent:** **** Oct. 17, 2017**

(54) **RELAY SOCKET**

(71) Applicant: **OMRON Corporation**, Kyoto-shi,
Kyoto (JP)

(72) Inventors: **Kenichiro Masaki**, Kumamoto (JP);
Koyuru Nakano, Nara (JP); **Shinya
Tsuji**, Yamaga (JP); **Yoshikazu Tajiri**,
Kikuchi (JP)

(73) Assignee: **OMRON Corporation**, Kyoto (JP)

(**) Term: **15 Years**

(21) Appl. No.: **29/573,357**

(22) Filed: **Aug. 4, 2016**

(30) **Foreign Application Priority Data**

Feb. 29, 2016 (JP) 2016-004449

(51) **LOC (10) Cl.** **13-03**

(52) **U.S. Cl.**
USPC **D13/159**

(58) **Field of Classification Search**
USPC D13/110, 123, 133, 147, 154, 158-160,
D13/173, 184, 199
CPC ... H01R 9/00; H01R 9/22; H01R 9/26; H01R
12/00; H01R 13/00; H01R 13/51; H01R
13/62; H01R 13/63; H01H 51/29; H01H
51/28; H01H 51/12; H01H 50/02; H01H
47/00; H01H 45/00; H01H 35/00
See application file for complete search history.

(56) **References Cited**

U.S. PATENT DOCUMENTS

D471,158 S * 3/2003 Yano D13/147
D634,713 S * 3/2011 Giordanino D13/159

D700,898 S * 3/2014 Min D13/159
D701,176 S * 3/2014 Min D13/159
D728,488 S * 5/2015 Ishikawa D13/159
D741,814 S * 10/2015 Min D13/159
D742,331 S * 11/2015 Min D13/159
2002/0132504 A1 * 9/2002 Mori H01R 13/639
439/160
2002/0142671 A1 * 10/2002 Yano H01R 9/26
439/721
2003/0224639 A1 * 12/2003 Yano H01R 9/2625
439/157
2007/0093121 A1 * 4/2007 Helmreich H01H 50/14
439/495
2015/0093930 A1 * 4/2015 Ishikawa H01R 4/302
439/357

* cited by examiner

Primary Examiner — Thomas Johannes

Assistant Examiner — Shawn T Gingrich

(74) *Attorney, Agent, or Firm* — Capitol City TechLaw

(57) **CLAIM**

The ornamental design for a relay socket, as shown and described.

DESCRIPTION

FIG. 1 is a front, top, and left side perspective view of a relay socket showing our new design; FIG. 2 is a front view thereof; FIG. 3 is a rear view thereof; FIG. 4 is a left side view thereof; FIG. 5 is a right side view thereof; FIG. 6 is a top view thereof; and, FIG. 7 is a bottom view thereof. The broken lines shown in the figures illustrate portions of the relay socket that form no part of the claimed design.

1 Claim, 5 Drawing Sheets

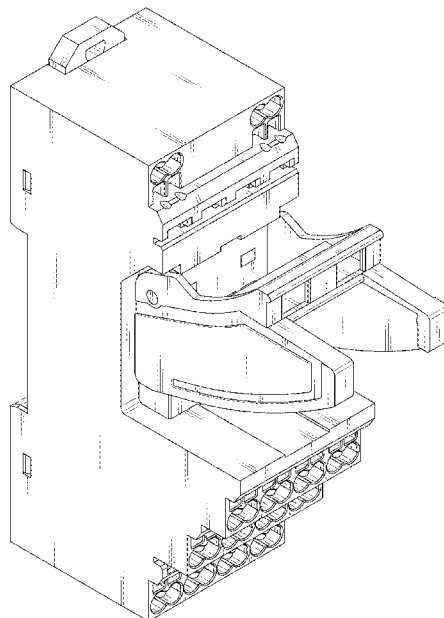


Fig. 1

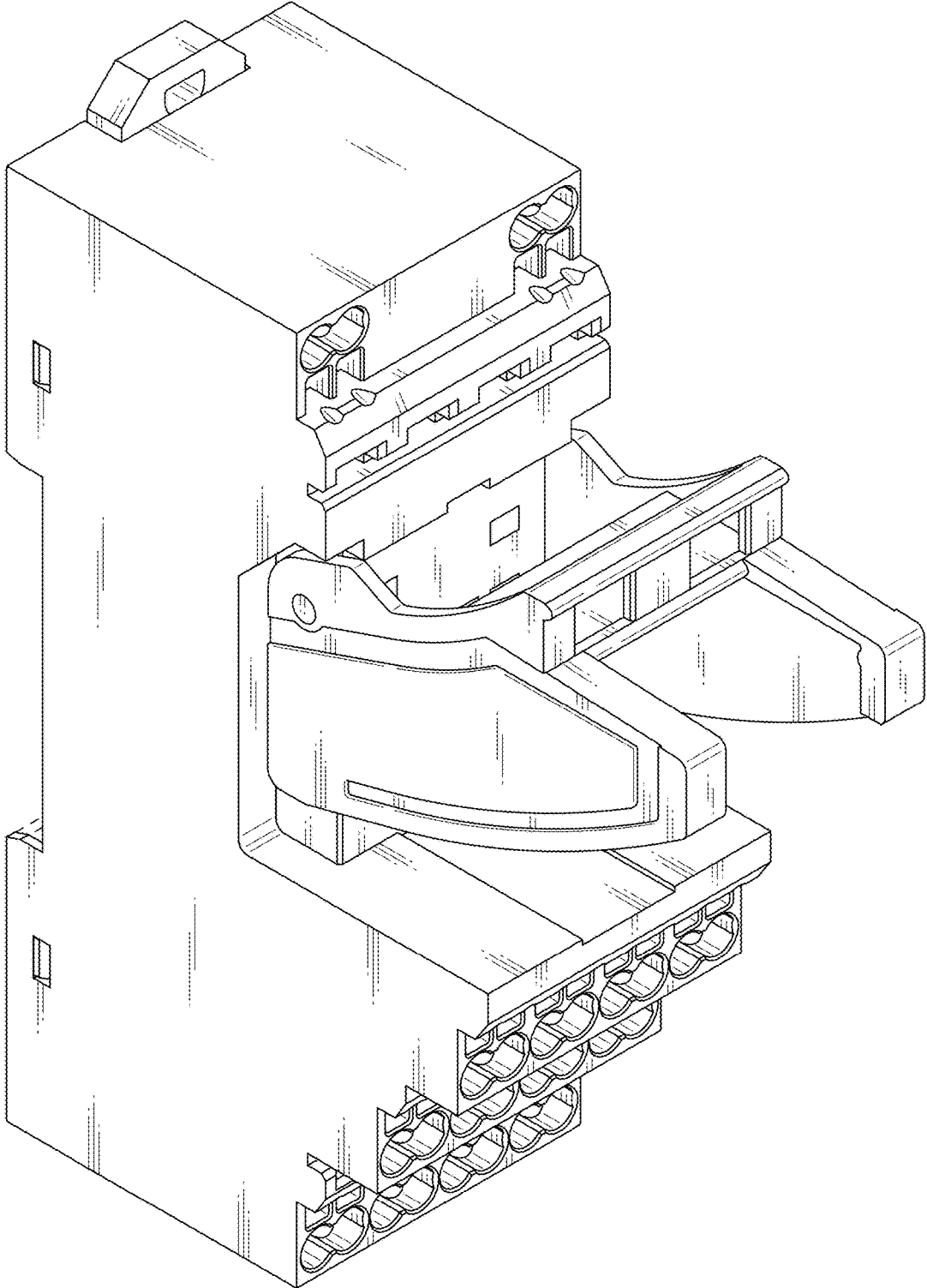


Fig. 2

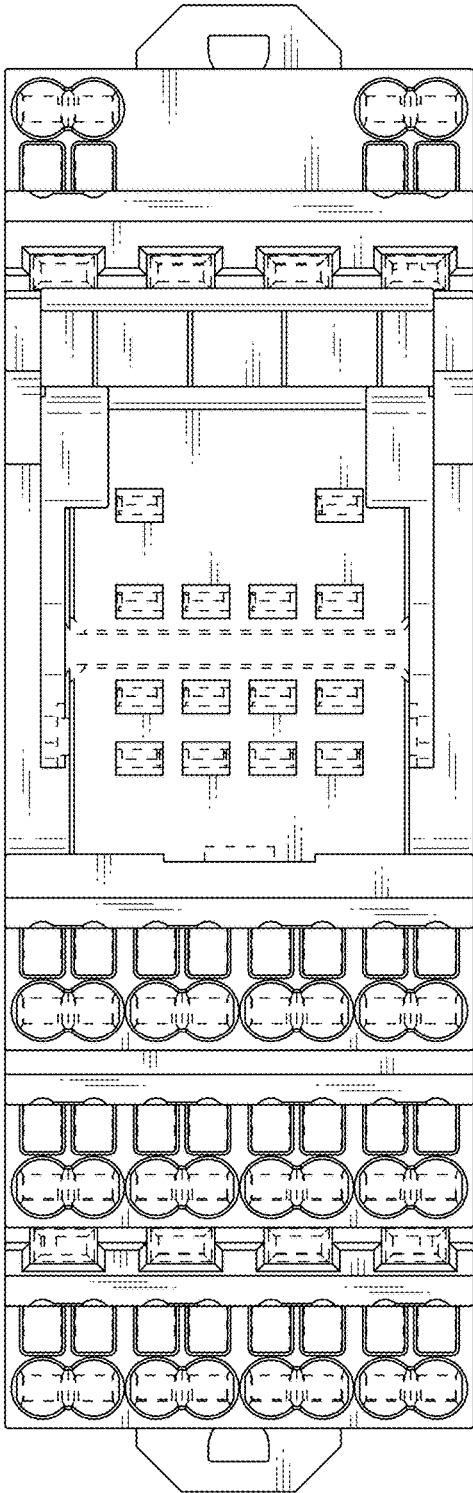


Fig. 3

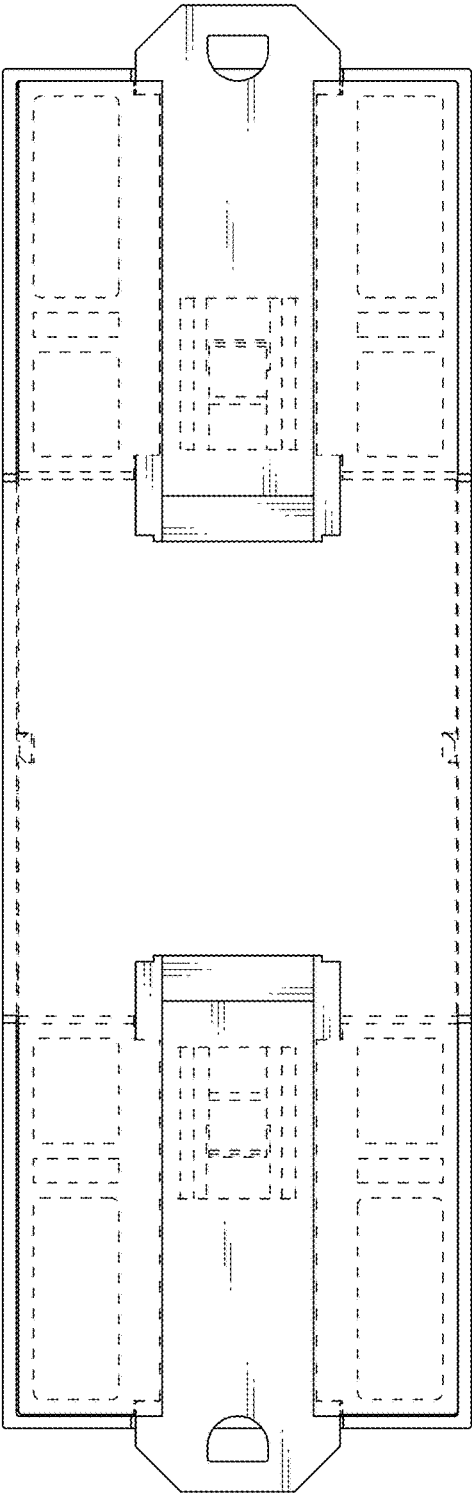


Fig. 4

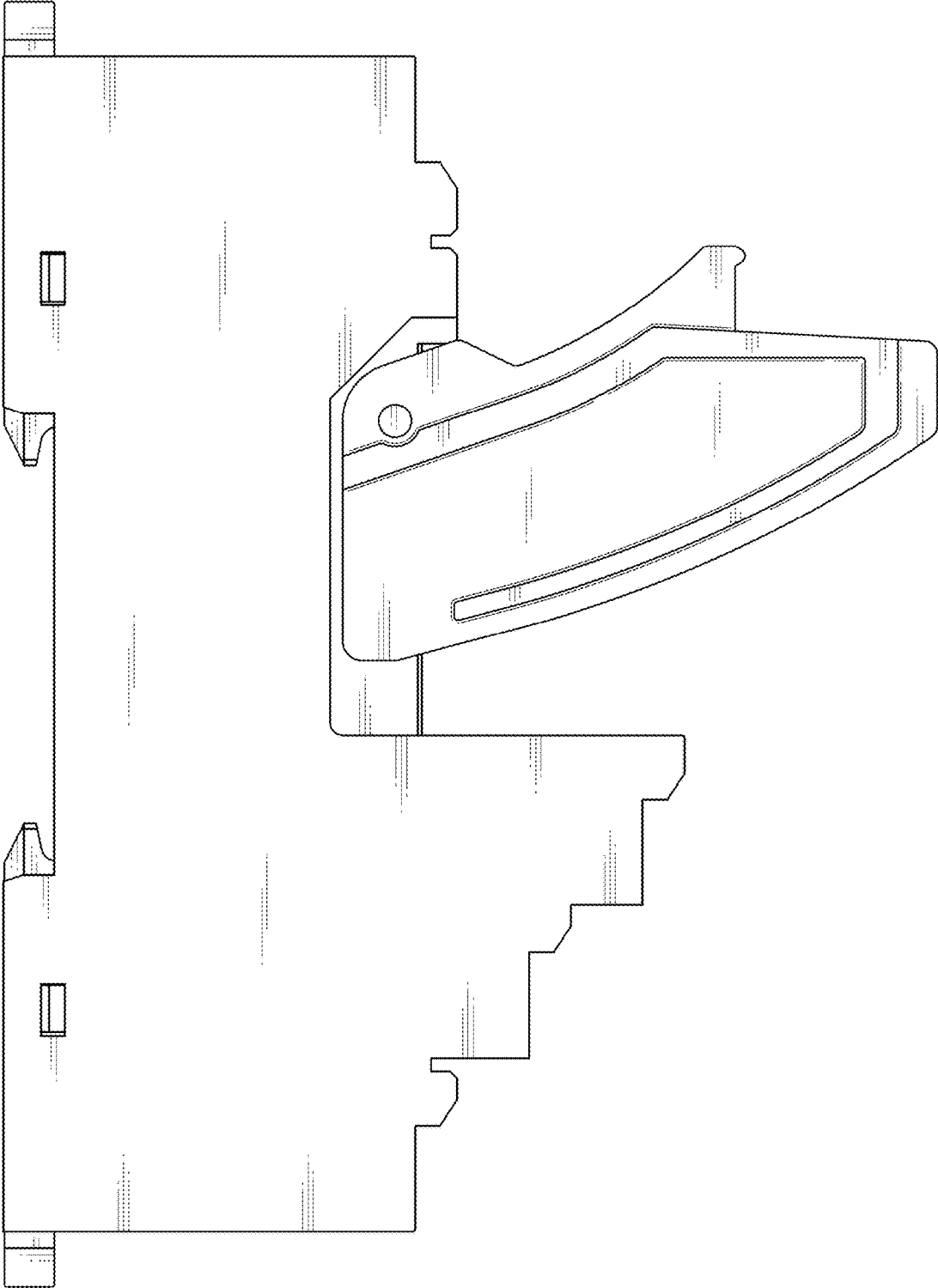


Fig. 5

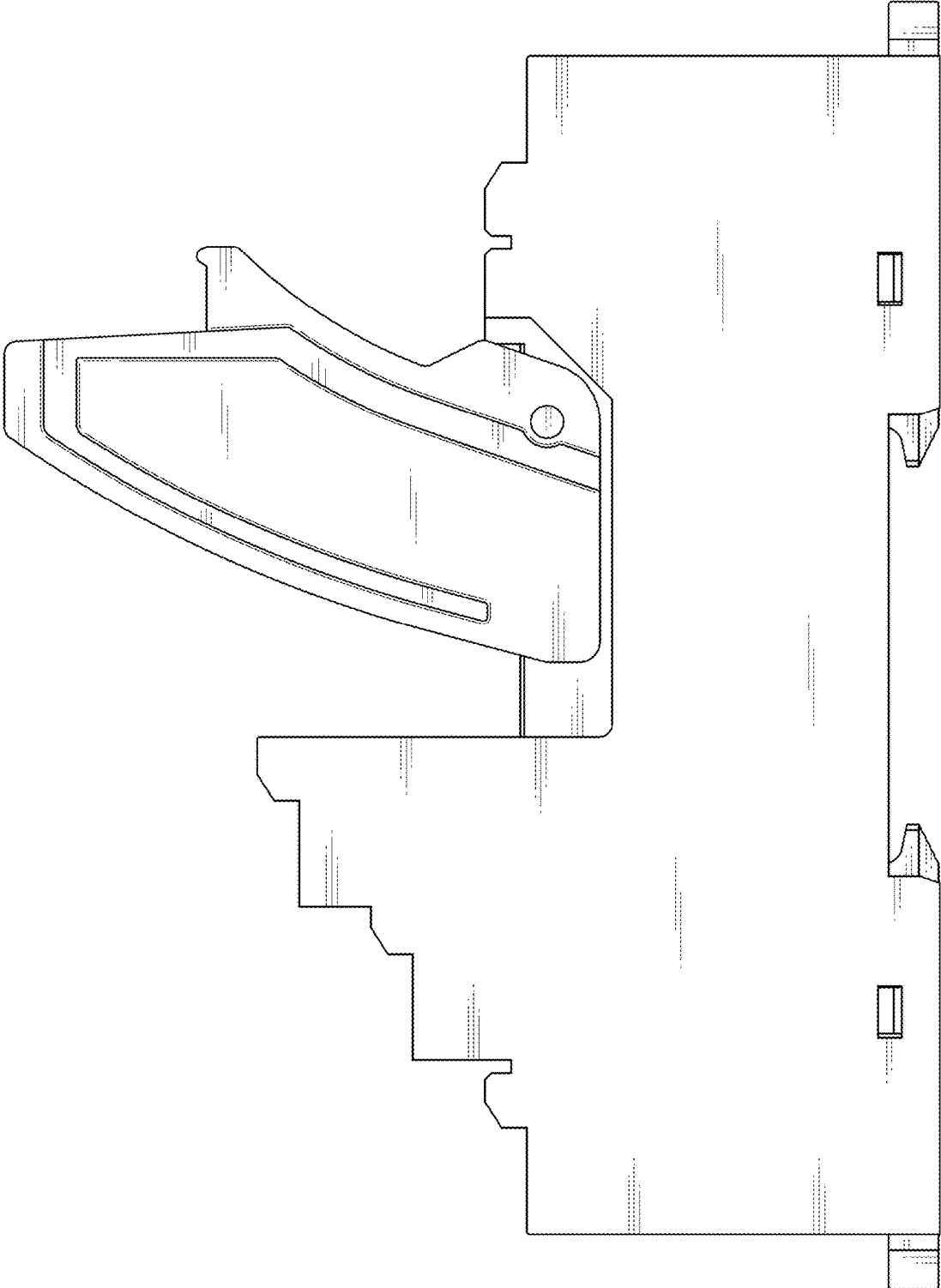


Fig. 6

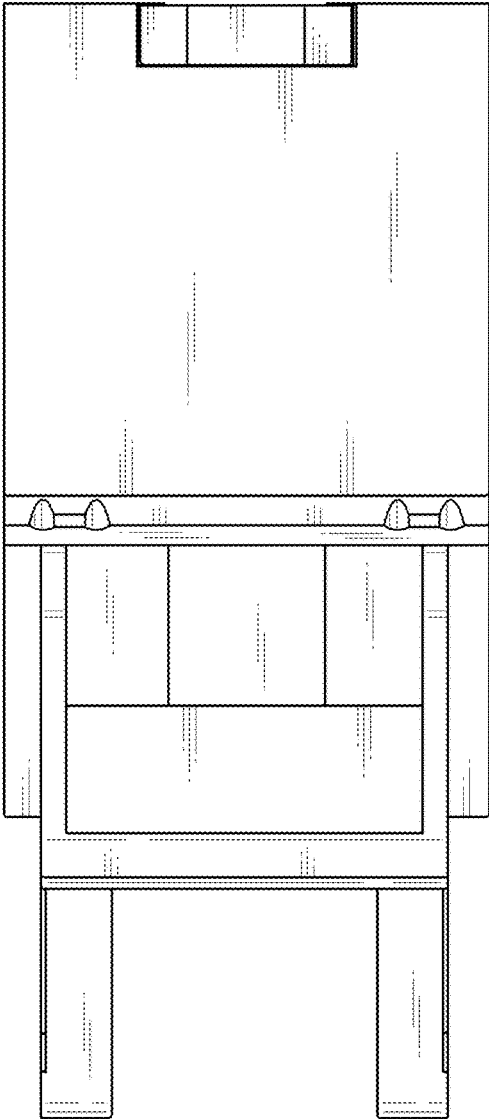


Fig. 7

