



US00D822787S

(12) **United States Design Patent**
Cipolla

(10) **Patent No.:** **US D822,787 S**
(45) **Date of Patent:** **** Jul. 10, 2018**

(54) **FISHING ROD HOLDER**

(71) Applicant: **Ronald Cipolla**, St. Louis, MO (US)

(72) Inventor: **Ronald Cipolla**, St. Louis, MO (US)

(**) Term: **15 Years**

(21) Appl. No.: **29/602,887**

(22) Filed: **May 4, 2017**

(51) **LOC (11) Cl.** **22-05**

(52) **U.S. Cl.**
USPC **D22/147**

(58) **Field of Classification Search**
USPC D6/552, 553, 567, 572; D8/380;
D22/147, 148, 109; D25/68; 43/21,
43/21.2; 211/13.1, 60.1, 64, 70.2, 70.6,
211/70.8, 65, 68, 69, 69.8, 89, 94;
248/512, 520, 538, 316.7
CPC A01K 97/10; A01K 97/12; A01K 97/125;
A01K 99/00; A01K 97/08; A47F 7/0021;
A47F 7/0035; A47B 81/005; Y10T
70/5009; Y10S 224/922

See application file for complete search history.

5,033,223 A * 7/1991 Minter A01K 97/10
224/486

D352,089 S * 11/1994 Barber D22/147

5,377,849 A * 1/1995 Martin A47F 8/02
211/182

5,383,299 A * 1/1995 Smelker A01K 97/10
248/513

5,461,817 A * 10/1995 Flood A01K 91/08
43/19.2

5,533,295 A * 7/1996 Hochberger A01K 97/10
248/512

D381,392 S * 7/1997 Darling D22/147

5,673,507 A 10/1997 Stokes, Jr.

D393,690 S * 4/1998 Lovelady D22/147

5,823,365 A * 10/1998 Page A47F 5/0892
211/113

D413,648 S * 9/1999 Simpson D22/147

D414,239 S * 9/1999 Lovelady D22/147

5,987,803 A * 11/1999 White A01K 97/10
43/21.2

(Continued)

Primary Examiner — David Muller
Assistant Examiner — Nathan Johnston
(74) *Attorney, Agent, or Firm* — Kutak Rock LLP; Sara
Weilert Gillette

(56) **References Cited**

U.S. PATENT DOCUMENTS

D170,239 S * 8/1953 Raylor D23/265

D179,525 S * 1/1957 Porter 248/513

D230,356 S * 2/1974 Nelson D22/147

D271,610 S * 11/1983 Lummis D22/147

D271,611 S * 11/1983 Lummis D22/147

4,650,146 A * 3/1987 Duke A01K 97/10
248/129

4,763,435 A * 8/1988 Deering A01K 97/10
43/21.2

4,823,723 A 4/1989 Brooks

D303,003 S * 8/1989 Combs D22/147

4,871,099 A * 10/1989 Bogar, Jr. A01K 97/10
211/70.8

D307,171 S * 4/1990 Engle D22/147

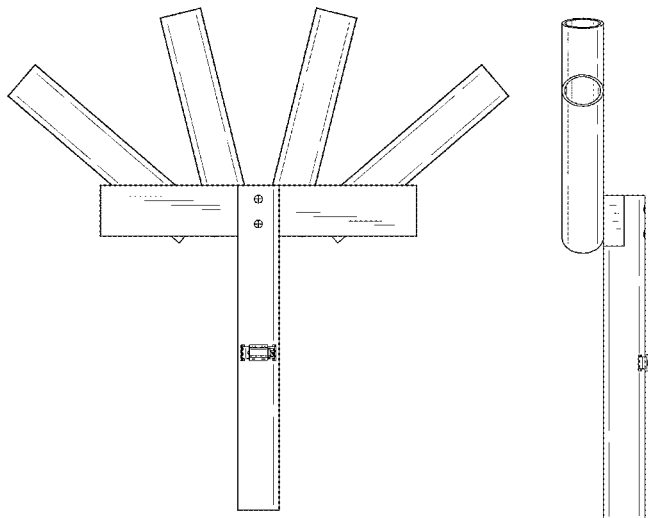
(57) **CLAIM**

The ornamental design for a fishing rod holder, as shown and described.

DESCRIPTION

FIG. 1 is a front elevation view of a fishing rod holder showing my new design;
FIG. 2 is a rear elevation view thereof;
FIG. 3 is a left side elevation view thereof, a right side elevation view being a mirror image thereof;
FIG. 4 is a top plan view thereof; and,
FIG. 5 is a bottom plan view thereof.

1 Claim, 4 Drawing Sheets



(56)

References Cited

U.S. PATENT DOCUMENTS

6,102,203	A *	8/2000	Marro	A47K 1/09 206/362.1
6,289,627	B1	9/2001	Gibbs et al.	
D456,974	S *	5/2002	Hicks	D34/12
D458,878	S *	6/2002	Greco	D12/162
6,681,517	B1	1/2004	Solomon	
D507,817	S	7/2005	Mitchell	
7,047,688	B2	5/2006	Sandman, Jr.	
7,264,218	B1 *	9/2007	Edwards	F16M 11/16 135/16
D564,617	S *	3/2008	White	D22/147
D599,877	S *	9/2009	Battin, Jr.	D22/147
D630,875	S *	1/2011	Leung	D6/552
D662,745	S *	7/2012	Zalewski	D6/552
8,327,575	B1 *	12/2012	Zalewski	248/519
8,375,622	B1 *	2/2013	Holzmann, Jr.	A01K 97/10 43/21.2
D699,476	S *	2/2014	Gonzalez	D6/552
D759,842	S *	6/2016	Umlor	D25/68
2003/0221358	A1 *	12/2003	Matlosz	A01K 97/10 43/21.2
2003/0230024	A1	12/2003	Roberson	
2005/0102881	A1	5/2005	Legendziewicz	
2013/0333268	A1 *	12/2013	Henry, Jr.	A01K 97/10 43/4.5
2014/0007487	A1 *	1/2014	Schwiebert	E04H 12/2238 43/21.2
2014/0033600	A1	2/2014	McCorkle	
2014/0263113	A1 *	9/2014	Hall, II	A47B 81/005 211/70.8
2017/0231209	A1 *	8/2017	Pippins	A01K 97/125 43/17

* cited by examiner

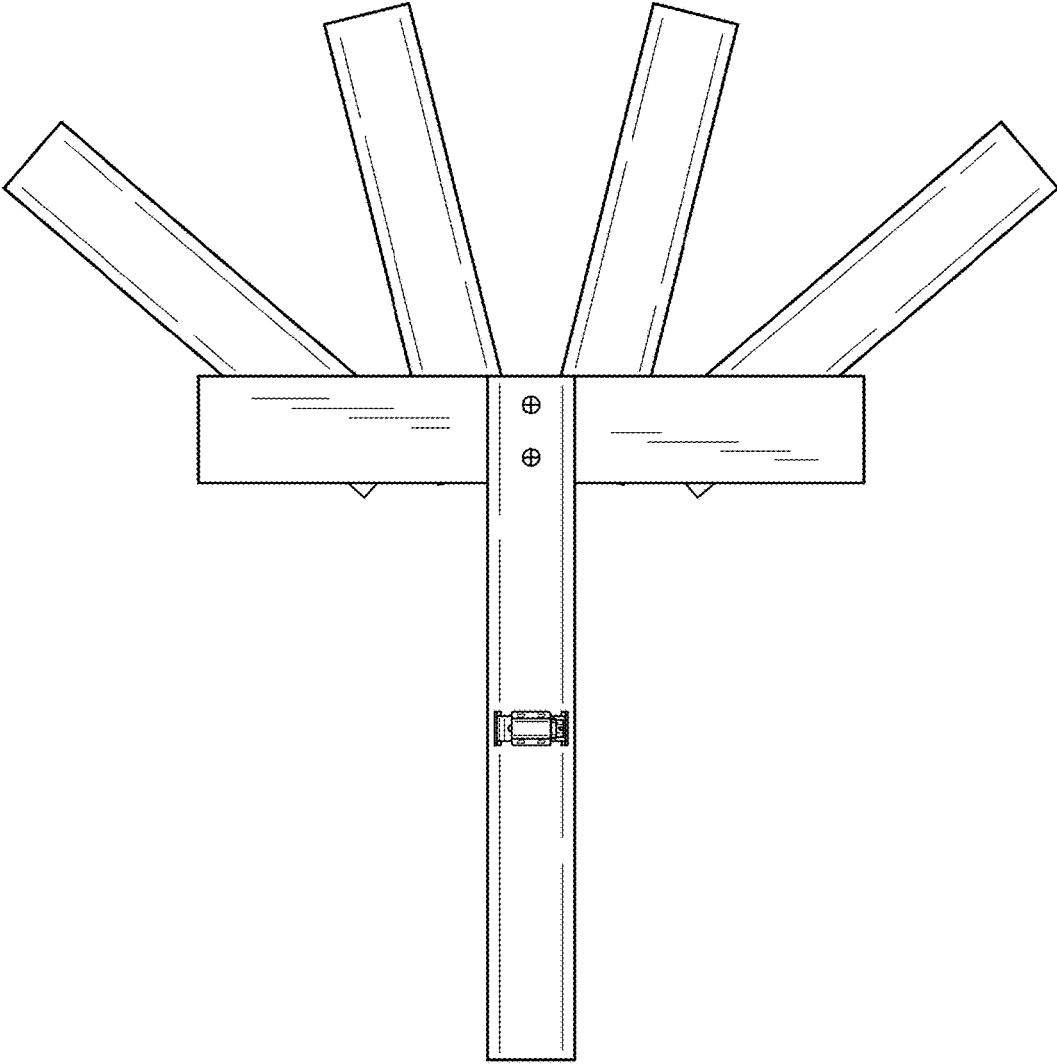


FIG. 1

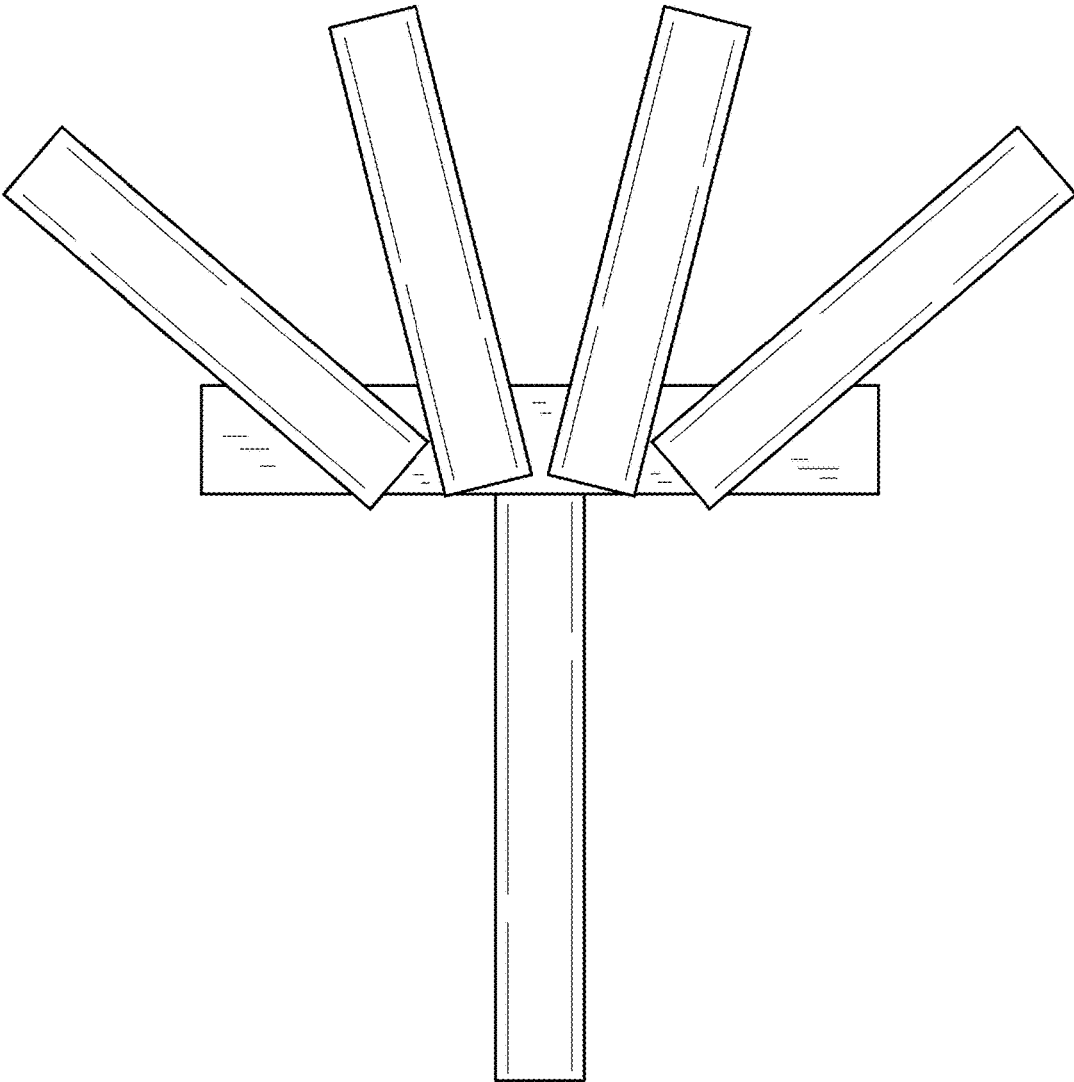


FIG. 2

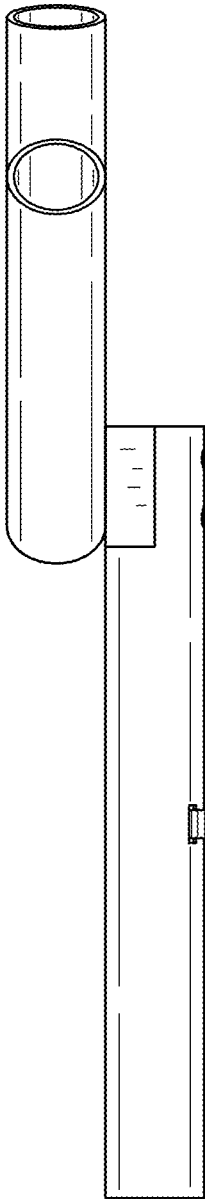


FIG. 3

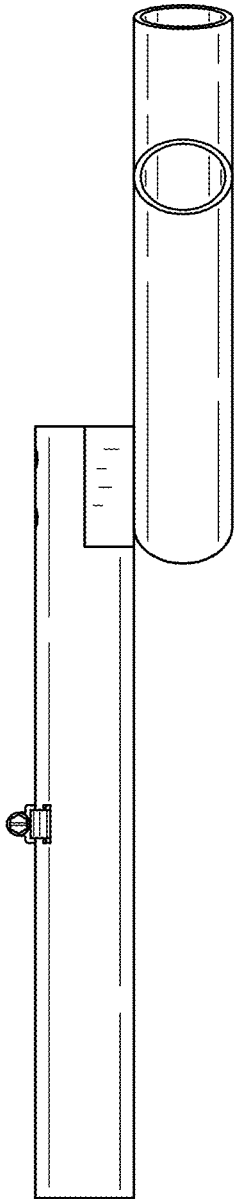


FIG. 4

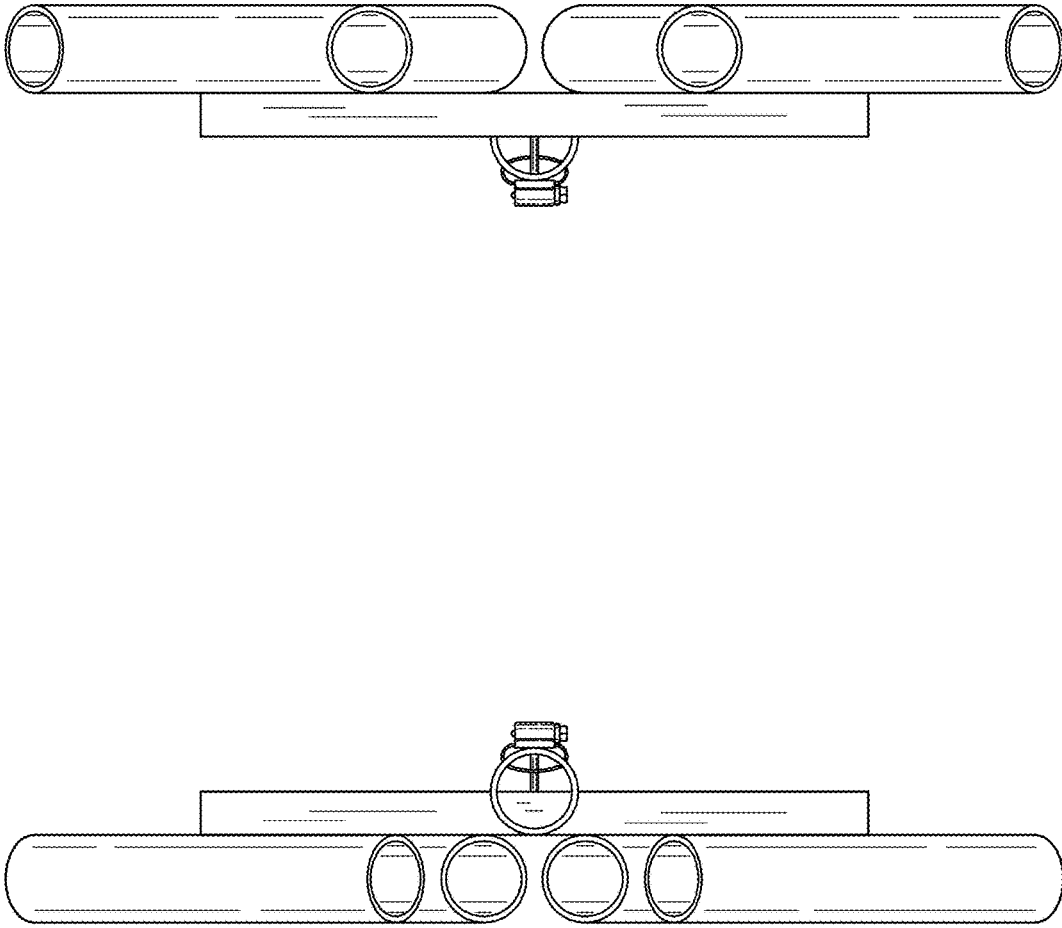


FIG. 5