



- (51) International Patent Classification:  
F23G 5/32 (2006.01) F23G 7/06 (2006.01)
- (21) International Application Number:  
PCT/IB2013/060212
- (22) International Filing Date:  
18 November 2013 (18.11.2013)
- (25) Filing Language: English
- (26) Publication Language: English
- (30) Priority Data:  
2012/08708 20 November 2012 (20.11.2012) ZA
- (72) Inventors; and
- (71) Applicants : **BOOTH, Mark Christian Marshall** [GB/ZA]; 30 Cherryhill, 136 Morris Road, Strathavon, 2031 Johannesburg (ZA). **NOVIKOV, Iliia** [RU/RU]; 34 Kirova Street, Yaroslavl Region, Rybinsk City, 152917 (RU).
- (74) Agent: **DM KISCH INC.**; P O Box 781218, 2146 Sandton (ZA).
- (81) Designated States (unless otherwise indicated, for every kind of national protection available): AE, AG, AL, AM, AO, AT, AU, AZ, BA, BB, BG, BH, BN, BR, BW, BY,

BZ, CA, CH, CL, CN, CO, CR, CU, CZ, DE, DK, DM, DO, DZ, EC, EE, EG, ES, FI, GB, GD, GE, GH, GM, GT, HN, HR, HU, ID, IL, IN, IR, IS, JP, KE, KG, KN, KP, KR, KZ, LA, LC, LK, LR, LS, LT, LU, LY, MA, MD, ME, MG, MK, MN, MW, MX, MY, MZ, NA, NG, NI, NO, NZ, OM, PA, PE, PG, PH, PL, PT, QA, RO, RS, RU, RW, SA, SC, SD, SE, SG, SK, SL, SM, ST, SV, SY, TH, TJ, TM, TN, TR, TT, TZ, UA, UG, US, UZ, VC, VN, ZA, ZM, ZW.

(84) Designated States (unless otherwise indicated, for every kind of regional protection available): ARIPO (BW, GH, GM, KE, LR, LS, MW, MZ, NA, RW, SD, SL, SZ, TZ, UG, ZM, ZW), Eurasian (AM, AZ, BY, KG, KZ, RU, TJ, TM), European (AL, AT, BE, BG, CH, CY, CZ, DE, DK, EE, ES, FI, FR, GB, GR, HR, HU, IE, IS, IT, LT, LU, LV, MC, MK, MT, NL, NO, PL, PT, RO, RS, SE, SI, SK, SM, TR), OAPI (BF, BJ, CF, CG, CI, CM, GA, GN, GQ, GW, KM, ML, MR, NE, SN, TD, TG).

Published:  
— with international search report (Art. 21(3))

(88) Date of publication of the international search report:  
24 July 2014

(54) Title: APPARATUS AND METHOD FOR THE TREATMENT OF GASEOUS WASTE

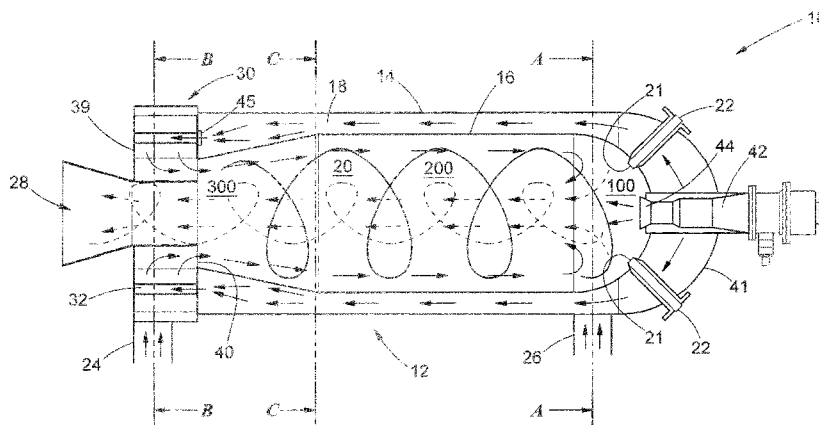


FIGURE 1

(57) Abstract: An apparatus for the treatment of gaseous waste 10, including a housing 12 having a first end 39 and a second end 41 as well as an outer wall 14 and an inner wall 16, with an annular passage 18 being defined between the outer wall 14 and inner wall 16 of the housing 10, through which air is flowable, a combustion chamber 20, one or more supplementary fuel inlets 22 through which supplementary fuel is fed, a primary fuel inlet 24 through which the gaseous waste is fed, an air inlet 26 through which air is fed, and at least one outlet 28 through which combustion products or outlet constituents leave the apparatus 10, wherein the primary fuel inlet 24 leads to a primary fuel distributor 21 including a plurality of hollow blades 32, e&- > - ilow blade 32 defining an intern-internal compartment 34 within the blade 32.



# INTERNATIONAL SEARCH REPORT

International application No <b>PCT/IB2013/060212</b>
--

<b>A. CLASSIFICATION OF SUBJECT MATTER</b> INV. F23G5/32 F23G7/06 ADD.				
According to International Patent Classification (IPC) or to both national classification and IPC				
<b>B. FIELDS SEARCHED</b>				
Minimum documentation searched (classification system followed by classification symbols) F23G F23C				
Documentation searched other than minimum documentation to the extent that such documents are included in the fields searched				
Electronic data base consulted during the international search (name of data base and, where practicable, search terms used) EPO-Internal, WPI Data				
<b>C. DOCUMENTS CONSIDERED TO BE RELEVANT</b>				
Category*	Citation of document, with indication, where appropriate, of the relevant passages	Relevant to claim No.		
A	US 3 805 714 A (SHARPE P) 23 April 1974 (1974-04-23) figure 1 columns 1-2 -----	1-42		
A	GB 1 453 577 A (BRULE C E & E) 27 October 1976 (1976-10-27) the whole document -----	1-42		
A	JP S52 36875 A (KYOEI KIRIYOKU KK; OGURA YASUO) 22 March 1977 (1977-03-22) the whole document -----	1-42		
A	US 4 486 168 A (PRATLEY GERALD [GB]) 4 December 1984 (1984-12-04) the whole document -----	1		
----- -/--				
<input checked="" type="checkbox"/> Further documents are listed in the continuation of Box C. <span style="margin-left: 200px;"><input checked="" type="checkbox"/> See patent family annex.</span>				
* Special categories of cited documents : <table style="width: 100%; border: none;"> <tr> <td style="width: 50%; border: none; vertical-align: top;">                     "A" document defining the general state of the art which is not considered to be of particular relevance                      "E" earlier application or patent but published on or after the international filing date                      "L" document which may throw doubts on priority claim(s) or which is cited to establish the publication date of another citation or other special reason (as specified)                      "O" document referring to an oral disclosure, use, exhibition or other means                      "P" document published prior to the international filing date but later than the priority date claimed                 </td> <td style="width: 50%; border: none; vertical-align: top;">                     "T" later document published after the international filing date or priority date and not in conflict with the application but cited to understand the principle or theory underlying the invention                      "X" document of particular relevance; the claimed invention cannot be considered novel or cannot be considered to involve an inventive step when the document is taken alone                      "Y" document of particular relevance; the claimed invention cannot be considered to involve an inventive step when the document is combined with one or more other such documents, such combination being obvious to a person skilled in the art                      "&amp;" document member of the same patent family                 </td> </tr> </table>			"A" document defining the general state of the art which is not considered to be of particular relevance "E" earlier application or patent but published on or after the international filing date "L" document which may throw doubts on priority claim(s) or which is cited to establish the publication date of another citation or other special reason (as specified) "O" document referring to an oral disclosure, use, exhibition or other means "P" document published prior to the international filing date but later than the priority date claimed	"T" later document published after the international filing date or priority date and not in conflict with the application but cited to understand the principle or theory underlying the invention "X" document of particular relevance; the claimed invention cannot be considered novel or cannot be considered to involve an inventive step when the document is taken alone "Y" document of particular relevance; the claimed invention cannot be considered to involve an inventive step when the document is combined with one or more other such documents, such combination being obvious to a person skilled in the art "&" document member of the same patent family
"A" document defining the general state of the art which is not considered to be of particular relevance "E" earlier application or patent but published on or after the international filing date "L" document which may throw doubts on priority claim(s) or which is cited to establish the publication date of another citation or other special reason (as specified) "O" document referring to an oral disclosure, use, exhibition or other means "P" document published prior to the international filing date but later than the priority date claimed	"T" later document published after the international filing date or priority date and not in conflict with the application but cited to understand the principle or theory underlying the invention "X" document of particular relevance; the claimed invention cannot be considered novel or cannot be considered to involve an inventive step when the document is taken alone "Y" document of particular relevance; the claimed invention cannot be considered to involve an inventive step when the document is combined with one or more other such documents, such combination being obvious to a person skilled in the art "&" document member of the same patent family			
Date of the actual completion of the international search	Date of mailing of the international search report			
5 March 2014	13/03/2014			
Name and mailing address of the ISA/ European Patent Office, P.B. 5818 Patentlaan 2 NL - 2280 HV Rijswijk Tel. (+31-70) 340-2040, Fax: (+31-70) 340-3016	Authorized officer  De Meester, Reni			

INTERNATIONAL SEARCH REPORT

International application No  
PCT/IB2013/060212

C(Continuation). DOCUMENTS CONSIDERED TO BE RELEVANT

Category*	Citation of document, with indication, where appropriate, of the relevant passages	Relevant to claim No.
A	US 4 255 115 A (GRAAT JOHANNES W ET AL) 10 March 1981 (1981-03-10) the whole document -----	1
A	JP 2002 267148 A (MATSUSHITA ELECTRIC IND CO LTD) 18 September 2002 (2002-09-18) paragraphs [0046] - [0047]; figures 3-4 -----	1
A	US 2009/277179 A1 (WILBRAHAM NIGEL [GB]) 12 November 2009 (2009-11-12) paragraphs [0001] - [0011] figures 2-3 -----	1
A	US 3 311 456 A (DENNY WALTER A ET AL) 28 March 1967 (1967-03-28) the whole document -----	1

# INTERNATIONAL SEARCH REPORT

Information on patent family members

International application No PCT/IB2013/060212
---

Patent document cited in search report	Publication date	Patent family member(s)	Publication date
US 3805714	A	23-04-1974	CA 984227 A1 24-02-1976 GB 1444420 A 28-07-1976 US 3805714 A 23-04-1974
-----			
GB 1453577	A	27-10-1976	DE 2508810 A1 09-10-1975 GB 1453577 A 27-10-1976
-----			
JP S5236875	A	22-03-1977	NONE
-----			
US 4486168	A	04-12-1984	CA 1188974 A1 18-06-1985 DE 3266788 D1 14-11-1985 EP 0069486 A1 12-01-1983 JP S582514 A 08-01-1983 MX 160166 A 15-12-1989 US 4486168 A 04-12-1984
-----			
US 4255115	A	10-03-1981	DE 2808874 A1 06-09-1979 EP 0004395 A2 03-10-1979 JP S54128836 A 05-10-1979 US 4255115 A 10-03-1981
-----			
JP 2002267148	A	18-09-2002	NONE
-----			
US 2009277179	A1	12-11-2009	EP 1892469 A1 27-02-2008 US 2009277179 A1 12-11-2009 WO 2008019997 A1 21-02-2008
-----			
US 3311456	A	28-03-1967	NONE
-----			