



US00D858924S

(12) **United States Design Patent**
Smyth

(10) **Patent No.:** **US D858,924 S**

(45) **Date of Patent:** **** Sep. 3, 2019**

(54) **WASTEBASKET WITH HIDDEN STORAGE COMPARTMENT**

FOREIGN PATENT DOCUMENTS

CN	203402559 U	1/2014
CN	103771059 A	5/2014
KR	101010853 B1	1/2011

(71) Applicant: **Christina Smyth**, New York, NY (US)

(72) Inventor: **Christina Smyth**, New York, NY (US)

(**) Term: **15 Years**

(21) Appl. No.: **29/639,706**

(22) Filed: **Mar. 8, 2018**

(51) **LOC (12) Cl.** **09-09**

(52) **U.S. Cl.**
USPC **D34/9**

(58) **Field of Classification Search**
USPC D23/202, 203, 207; D34/1, 2, 3, 4, 5, 6, D34/7, 8, 9, 10, 11, 39; 220/252, 62.13, 220/484, 569, 4.04, 703, 737, 748, 908, 220/908.1, 908.2, 909, 495.08, 211, 262, 220/263, 212; D9/737, 738, 770, 772, D9/777, 778, 781, 783
CPC B65F 1/0006; B65F 1/163; B65F 1/1607; B65F 1/02; B65F 1/1421; B65D 43/262
See application file for complete search history.

OTHER PUBLICATIONS

Homedepot, "Oscar Round 8 Gal . . . Open Trash Can . . . ", Mar. 21, 2019. <https://www.homedepot.com/p/happiness-Oscar-Round-8-Gal-White-Black-Step-Open-Trash-Can-with-Free-Mini-Trash-Can-HPM1003A/305266019>. Shown on p. 1. (Year: 2019).*

Primary Examiner — Cynthia Ramirez
Assistant Examiner — Michael A Maharajh
(74) *Attorney, Agent, or Firm* — Weber Rosselli & Cannon LLP

(57) **CLAIM**

The ornamental design for a wastebasket with hidden storage compartment, as shown and described.

DESCRIPTION

FIG. 1 is a front, perspective view of a wastebasket with hidden storage compartment in a closed position showing my new design;

FIG. 2 is a front side elevation view thereof;

FIG. 3 is a back elevation view thereof;

FIG. 4 is a right side elevation view thereof;

FIG. 5 is a left side elevation view thereof;

FIG. 6 is a top plan view thereof;

FIG. 7 is a bottom plan view thereof;

FIG. 8 is a front, perspective view of the wastebasket with hidden storage compartment in an open position thereof; and,

FIG. 9 is a front perspective exploded view of the wastebasket with hidden storage compartment in an open position thereof.

The broken lines shown in the figures are for the purpose of illustrating portions of the wastebasket with hidden storage compartment which form no part of the claimed design.

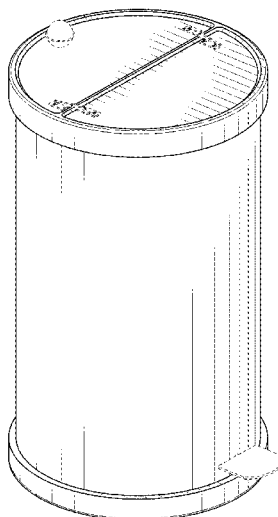
(56) **References Cited**

U.S. PATENT DOCUMENTS

2,079,052 A *	5/1937	Tamini	B65D 45/22
				220/262
5,350,079 A *	9/1994	Larson	B65F 1/163
				220/264
D446,619 S	8/2001	Howard et al.		
6,311,859 B1 *	11/2001	Haas	B65F 1/141
				220/4.22
6,386,386 B1	5/2002	George		
D476,457 S	6/2003	Verbeck		
D489,857 S *	5/2004	Yang	D34/9
D491,706 S *	6/2004	Yang	D34/9

(Continued)

1 Claim, 6 Drawing Sheets



(56)

References Cited

U.S. PATENT DOCUMENTS

D493,930 S *	8/2004	Wang	D34/9	D674,571 S *	1/2013	Sakaguchi	D34/7
D503,021 S	3/2005	Yang et al.		D716,015 S *	10/2014	van de Leest	D34/9
D517,761 S *	3/2006	Lai	D34/9	D719,313 S *	12/2014	Kao	D34/7
D517,766 S *	3/2006	Yang	D34/7	8,973,774 B1 *	3/2015	Stravitz	B65F 1/14
D522,204 S *	5/2006	Lin	D34/9				220/495.06
D526,103 S *	8/2006	Sangteerasintop	D34/9	D759,332 S	6/2016	Basmajian et al.	
D530,874 S	10/2006	Lin		D762,037 S	7/2016	Chen	
D540,000 S *	4/2007	Mandel	D34/7	D769,565 S *	10/2016	Chen	D34/9
D540,995 S *	4/2007	Haupt	D34/10	D769,566 S *	10/2016	Chen	D34/9
D544,170 S *	6/2007	Lin	D34/9	D799,137 S *	10/2017	Bowen	D34/7
D555,319 S *	11/2007	Lin	D34/9	D803,505 S *	11/2017	Duvigneau	D34/9
D568,572 S *	5/2008	Yang	D34/10	D808,103 S *	1/2018	Bowen	D34/11
D579,618 S	10/2008	Wang et al.		D825,130 S *	8/2018	Duvigneau	D34/9
D582,121 S *	12/2008	Wang	D34/7	D831,291 S *	10/2018	Chenvainu	D34/10
D623,819 S *	9/2010	Yang	D34/9	D838,426 S *	1/2019	Chenvainu	D34/10
D626,713 S *	11/2010	Yang	D34/9	D840,628 S *	2/2019	Chang	D34/9
D629,579 S *	12/2010	Lin	D34/9	D841,924 S *	2/2019	Liao	D34/9
D632,864 S *	2/2011	Yang	D34/9	2009/0071959 A1 *	3/2009	Cheung	B65F 1/163
D639,009 S *	5/2011	Lin	D34/9				220/263
D653,009 S *	1/2012	Larrivee	D34/1	2010/0147865 A1 *	6/2010	Yang	B65F 1/04
D657,108 S	4/2012	Yang et al.					220/810
D671,290 S *	11/2012	Vanhoof	D34/9	2014/0246432 A1 *	9/2014	Yang	B65D 43/262
							220/262
				2018/0127204 A1 *	5/2018	Smyth	B65F 1/004

* cited by examiner

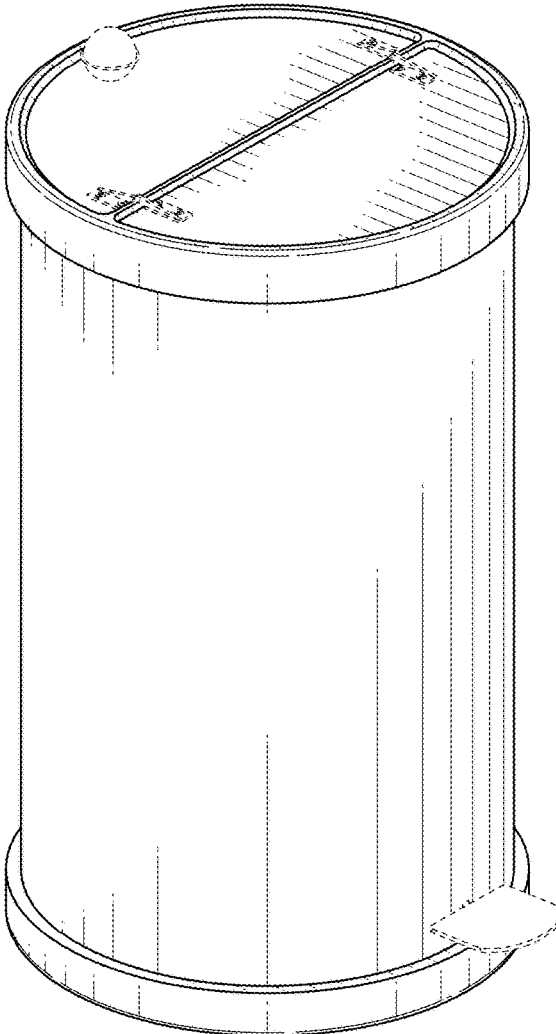


FIG. 1

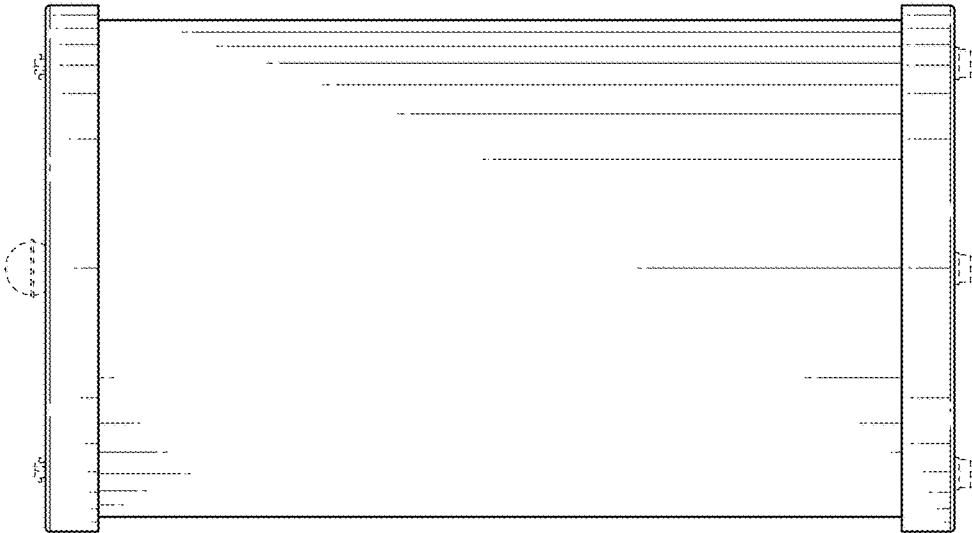


FIG. 3

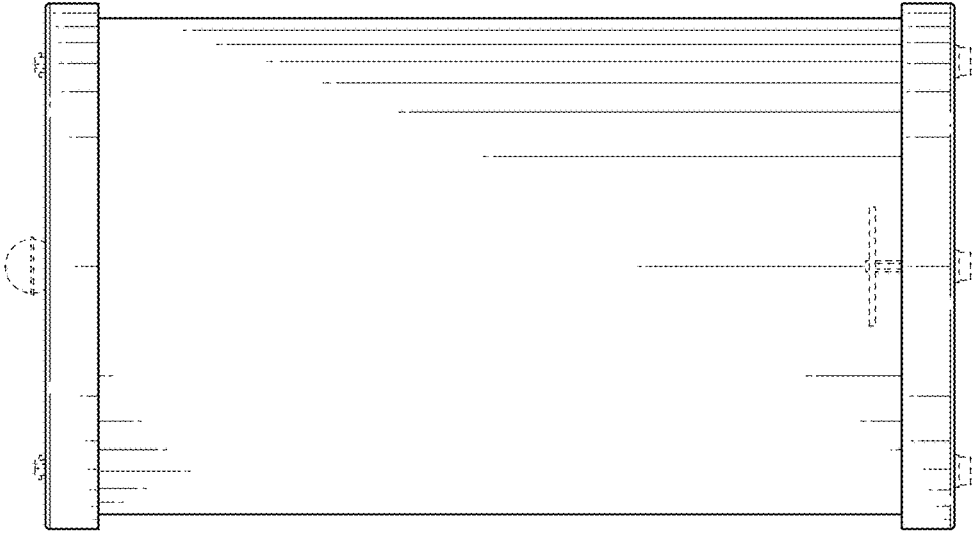


FIG. 2

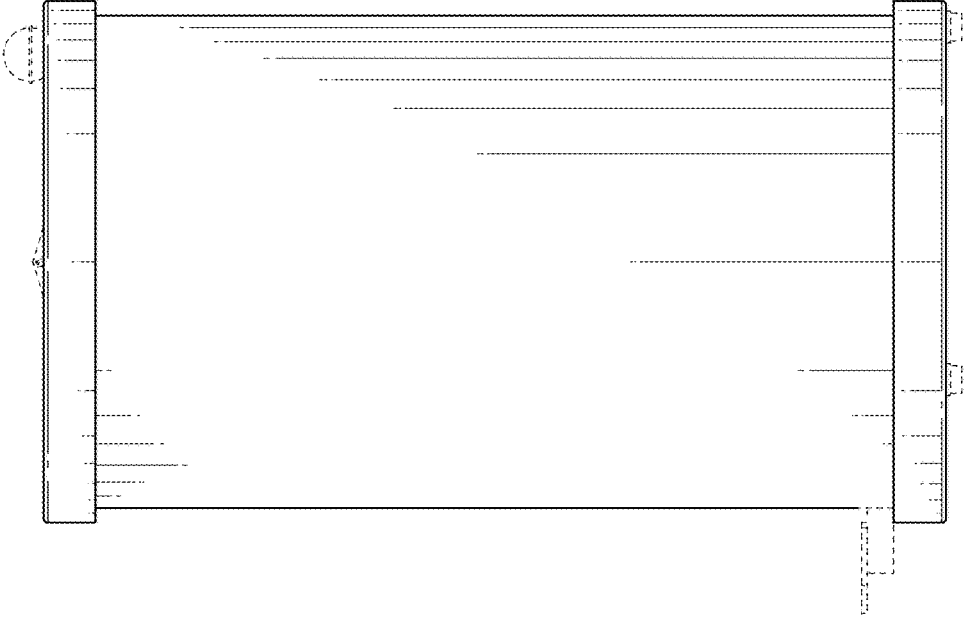


FIG. 5

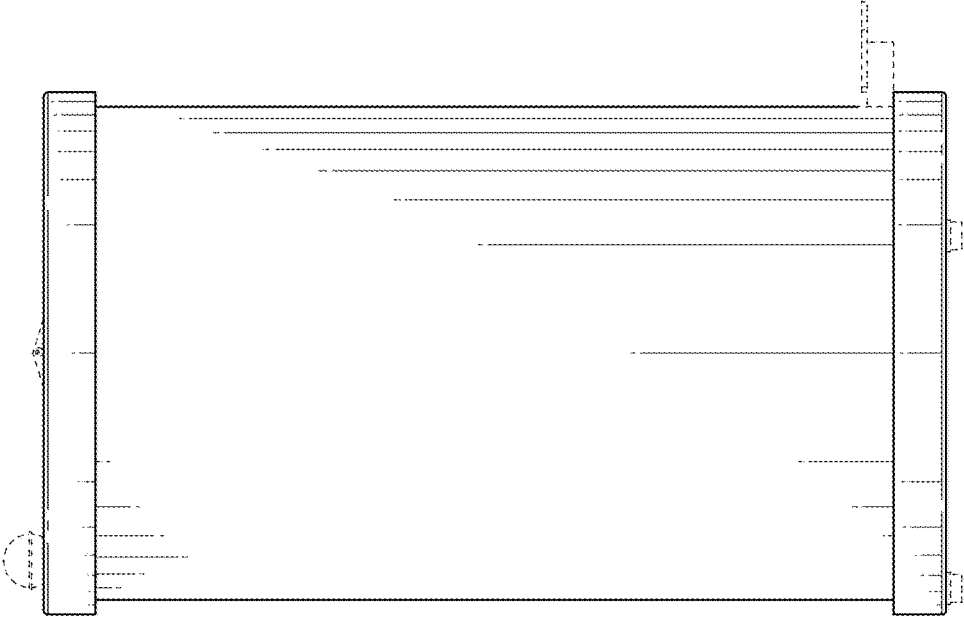


FIG. 4

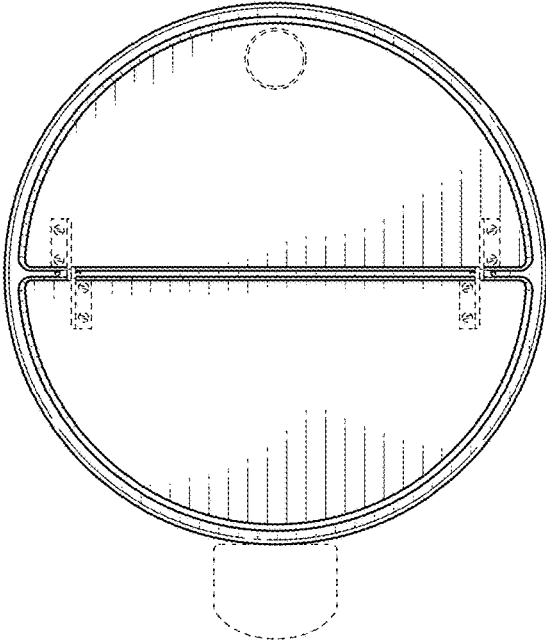


FIG. 6

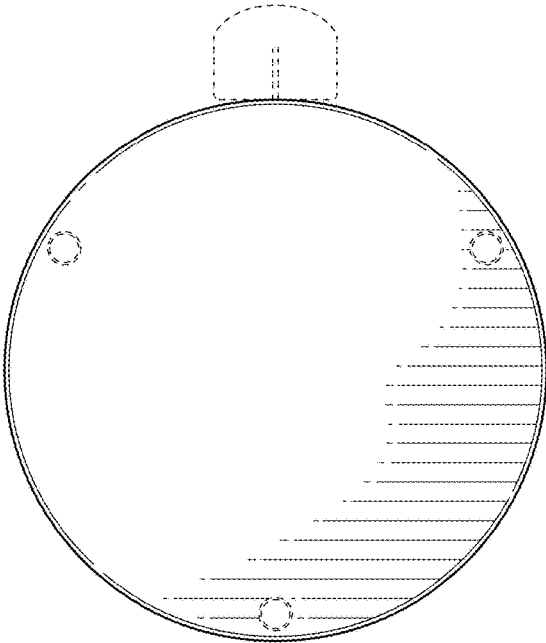


FIG. 7

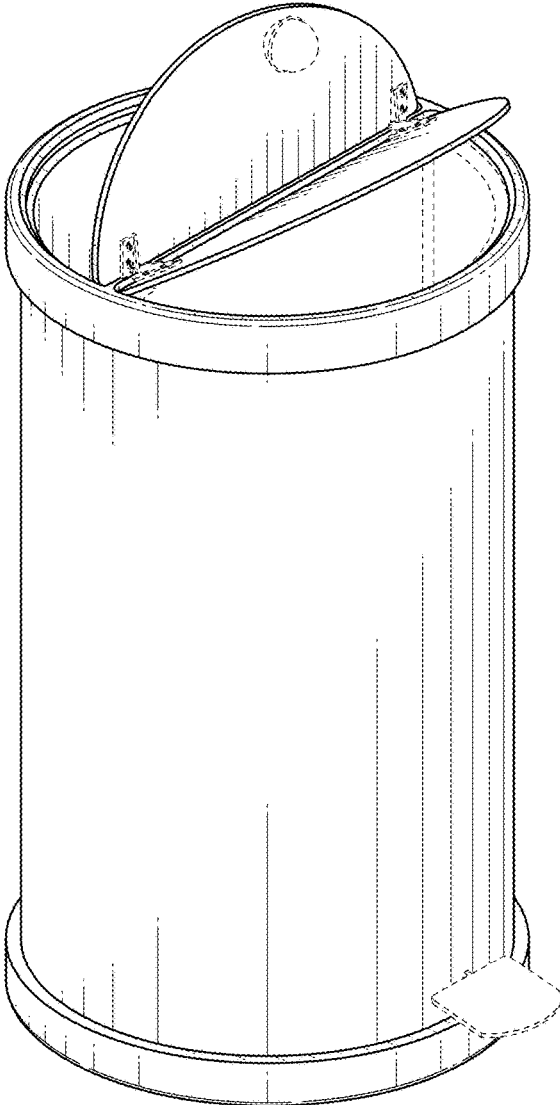


FIG. 8

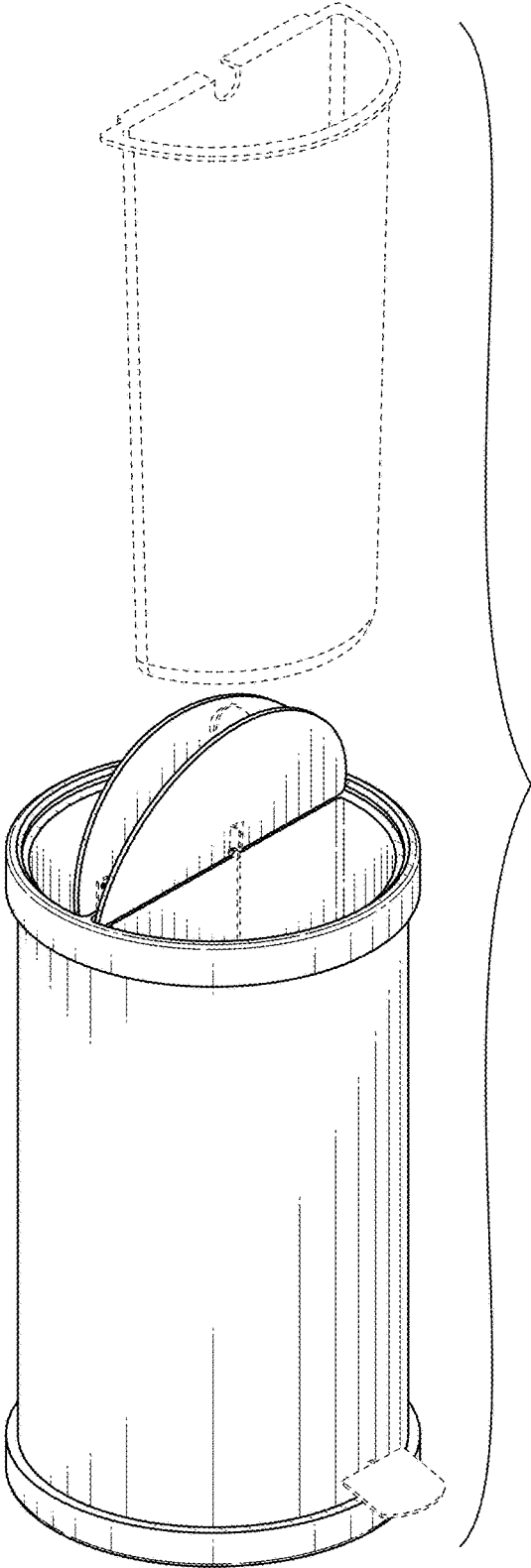


FIG. 9