



US0D1047117S

(12) **United States Design Patent**  
**Zhang et al.**

(10) **Patent No.:** **US D1,047,117 S**

(45) **Date of Patent:** **\*\* Oct. 15, 2024**

(54) **CEILING FAN**

(71) Applicant: **CARRO USA INC.**, Monterey Park,  
CA (US)

(72) Inventors: **Jiansheng Zhang**, Foshan (CN); **Keya Zeng**, Foshan (CN)

(\*\*) Term: **15 Years**

(21) Appl. No.: **29/822,089**

(22) Filed: **Jan. 5, 2022**

(51) **LOC (14) Cl.** ..... **23-04**

(52) **U.S. Cl.**  
USPC ..... **D23/377**

(58) **Field of Classification Search**  
USPC ..... D23/370, 377, 379, 385, 411, 413;  
D26/59

CPC ..... F04D 25/088; F04D 29/38; F04D 29/384;  
F04D 29/386; F21V 33/0096

See application file for complete search history.

(56) **References Cited**

**U.S. PATENT DOCUMENTS**

D430,931 S *	9/2000	Dye	D23/411
D614,757 S *	4/2010	Noble	D23/377
D692,120 S *	10/2013	Noble	D23/385
D721,429 S *	1/2015	Busta	D23/377
D741,988 S *	10/2015	Pan	D23/377
D762,296 S *	7/2016	Badarello	D23/377
D770,027 S *	10/2016	Noble	D23/385
D788,283 S *	5/2017	Busta	D23/377
D788,286 S *	5/2017	Busta	D26/59
D795,413 S *	8/2017	Wang	D23/377
D799,661 S *	10/2017	Holmes	D23/385
D807,492 S *	1/2018	Hidalgo	D23/377
D807,493 S *	1/2018	Hidalgo	D23/377
D808,004 S *	1/2018	Noble	D23/411
D861,849 S *	10/2019	Hidalgo	D23/377
D872,251 S *	1/2020	Haggar	D23/377
D879,282 S *	3/2020	Noble	D23/377
D907,756 S *	1/2021	Birchler	D23/377

D940,293 S *	1/2022	Yao	D23/377
D940,847 S *	1/2022	Wang	D23/377
D950,040 S *	4/2022	Hidalgo	D23/411
D972,114 S *	12/2022	Robinson	D23/377
D978,322 S *	2/2023	Haggar	D23/377

**FOREIGN PATENT DOCUMENTS**

CN 202130599193.8 \* 9/2021

**OTHER PUBLICATIONS**

CARRO Striver Fan. Catalogue [Online]. homedepot.com 2022. [Review Date: Aug. 11, 2022] [Retrieved: Aug. 22, 2023]. URL :<https://www.homedepot.com/p/CARRO-Striver-48-in-Dimmable-LED-Indoor-Outdoor-Gold-Smart-Ceiling-Fan-with-Light-and-Remote-Works-with-Alexa-Google-Home-HS483P-L12-G2-1-FM/321750720> (Year: 2022).\*

\* cited by examiner

*Primary Examiner* — Janice Hallmark  
*Assistant Examiner* — Adedoyin Taiwo Odeyale  
(74) *Attorney, Agent, or Firm* — Ying-Ting Chen; Law Office of Michael Chen

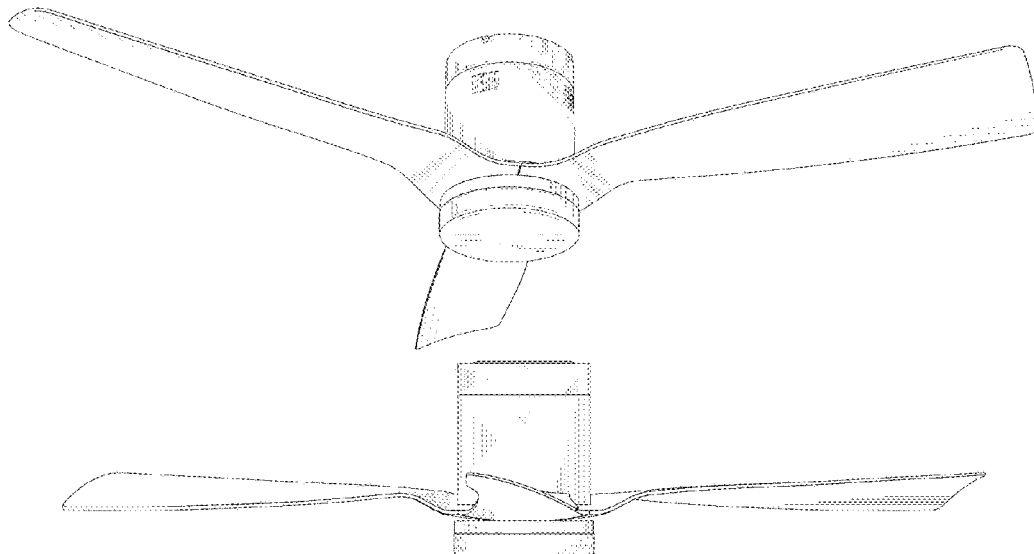
(57) **CLAIM**

The ornamental design for a ceiling fan, as shown and described.

**DESCRIPTION**

FIG. 1 is a bottom perspective view of a ceiling fan showing my new design;  
FIG. 2 is a top perspective view thereof;  
FIG. 3 is a side elevational view thereof;  
FIG. 4 is a top plan view thereof; and,  
FIG. 5 is a bottom plan view thereof.  
Broken lines illustrate portions of the ceiling fan that form no part of the claimed design.

**1 Claim, 5 Drawing Sheets**



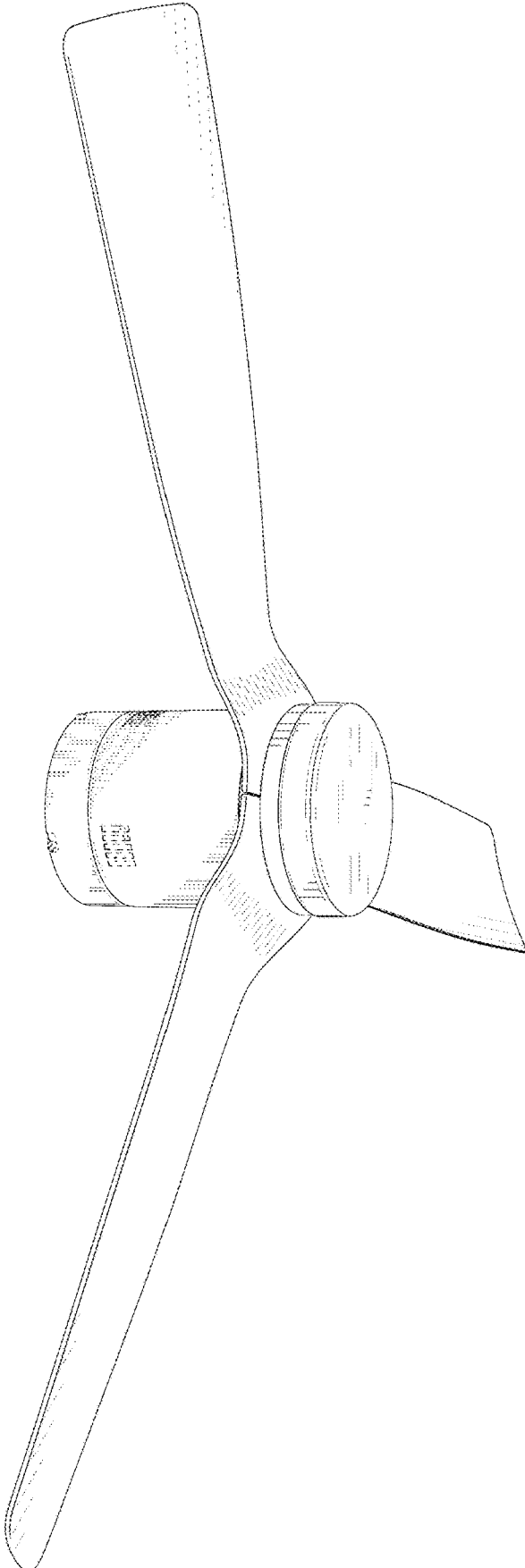


FIG. 1

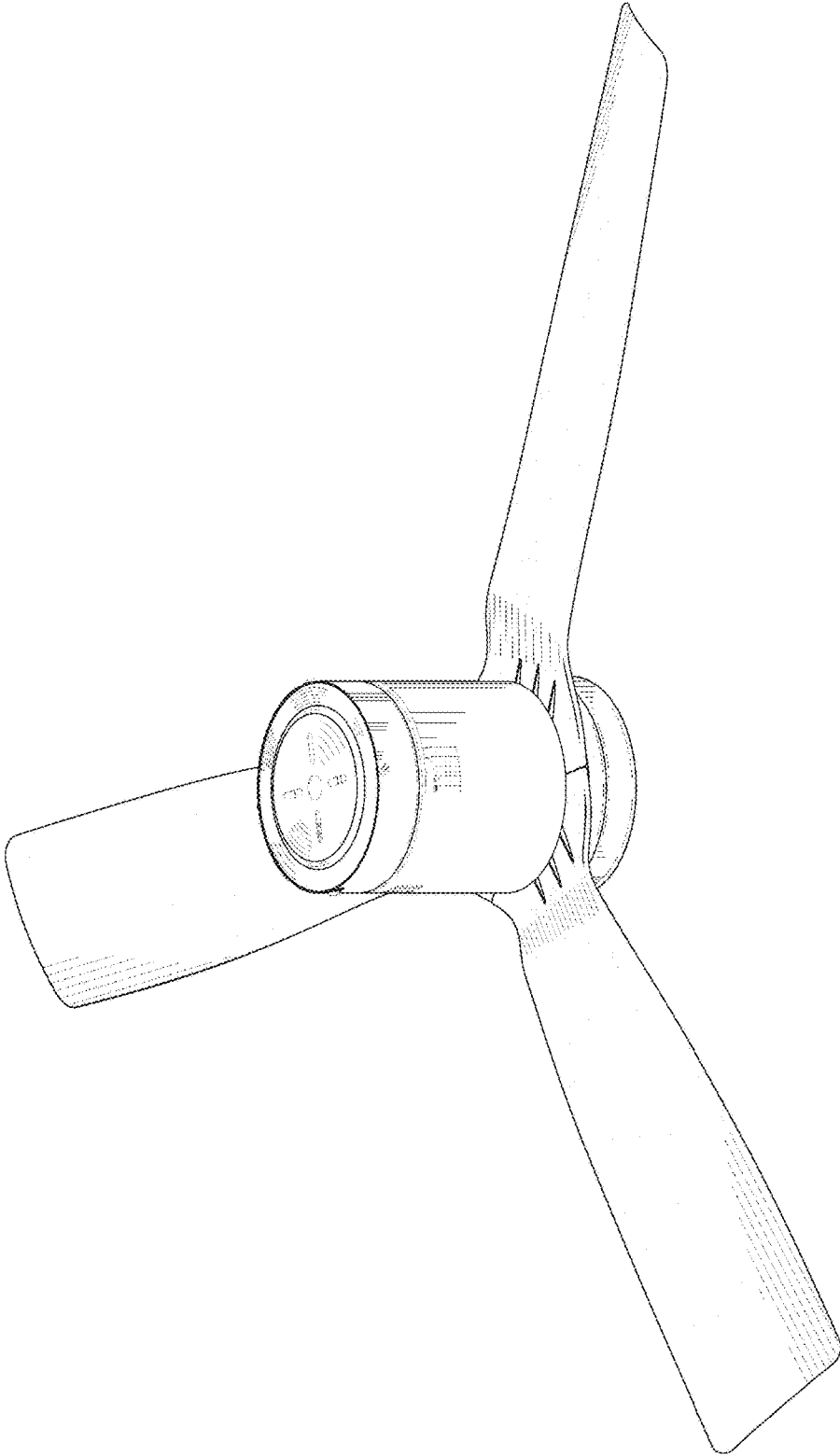


FIG. 2

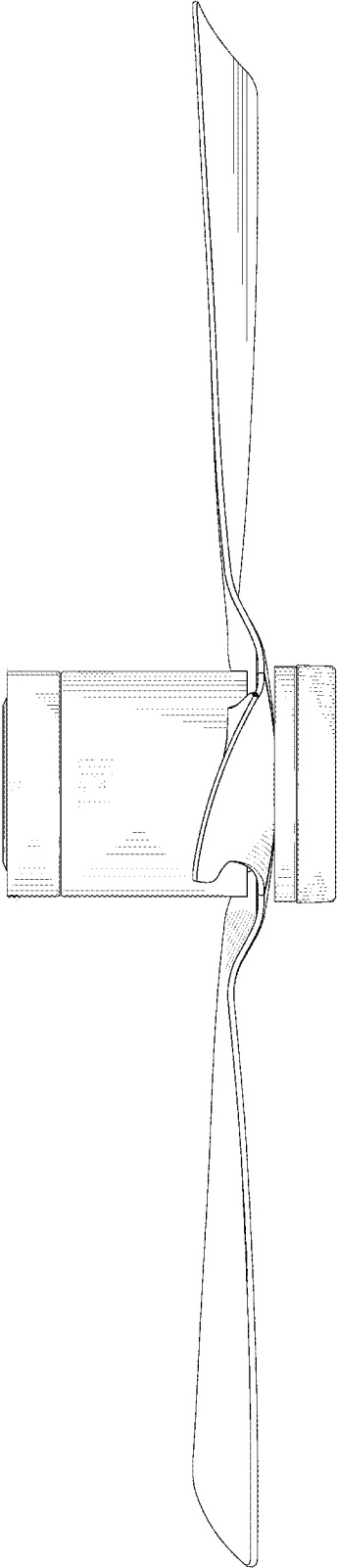


FIG. 3

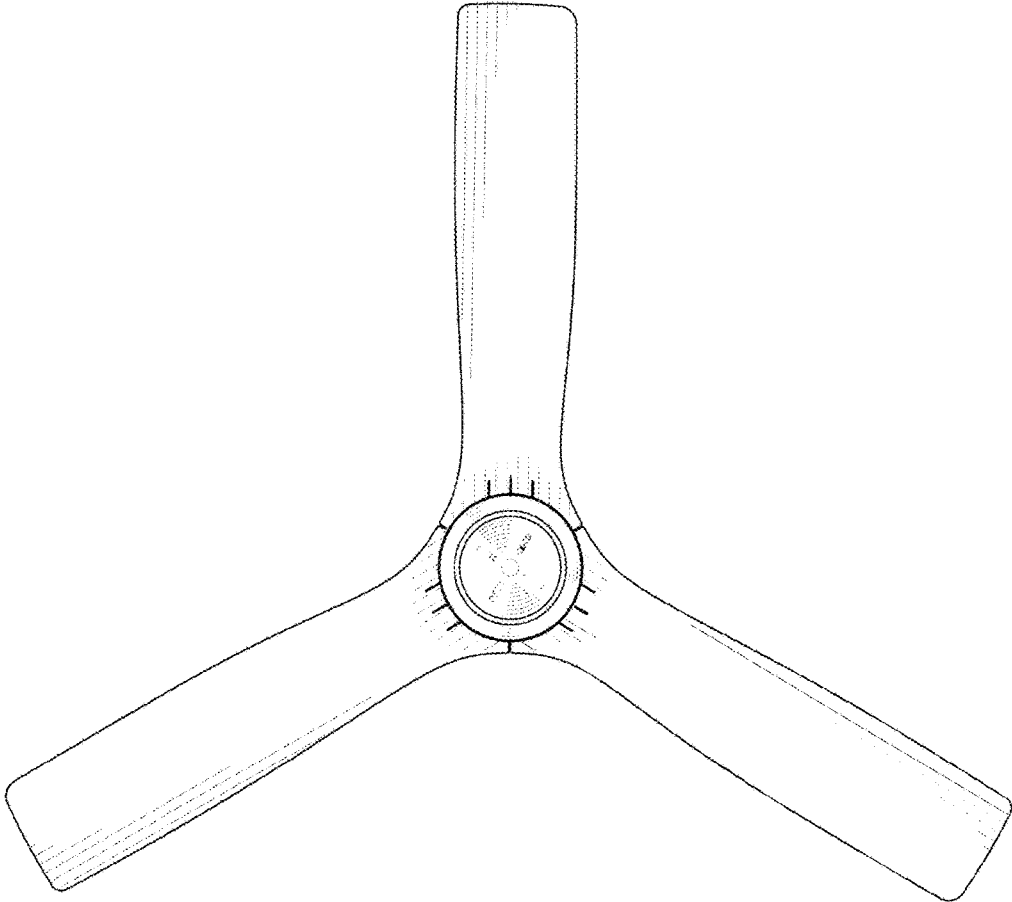


FIG. 4

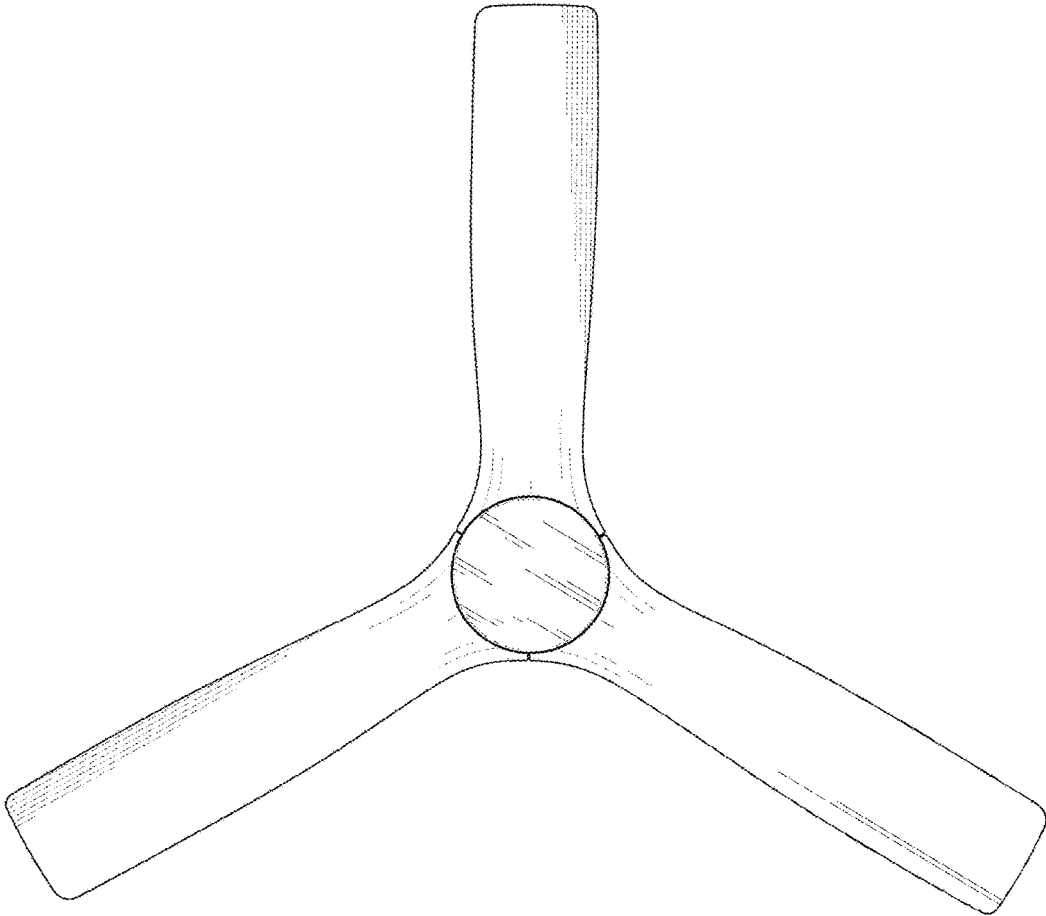


FIG. 5