

(19) World Intellectual Property Organization
International Bureau



(43) International Publication Date
7 January 2010 (07.01.2010)

(10) International Publication Number
WO 2010/002695 A3

- (51) International Patent Classification:
F16L 37/00 (2006.01)
- (21) International Application Number:
PCT/US2009/048637
- (22) International Filing Date:
25 June 2009 (25.06.2009)
- (25) Filing Language: English
- (26) Publication Language: English
- (30) Priority Data:
61/133,300 30 June 2008 (30.06.2008) US
12/490,113 23 June 2009 (23.06.2009) US
- (71) Applicant (for all designated States except US):
MUELLER INTERNATIONAL, INC. [US/US]; 1200
Abernathy Road, Suite 1200, Atlanta, GA 30328 (US).
- (72) Inventors; and
- (75) Inventors/Applicants (for US only): **VANDAL, Peter, J.**
[US/US]; 83 John Street, Providence, RI 02906 (US).
COMPTON, Douglas, C. [US/US]; 109 Broad Street,
Headland, AL 36345 (US).
- (74) Agent: **REMENICK, James**; Novak, Druce & Quigg,
1300 I Street, NW, Suite 1000 West Tower, Washington,
DC 20005 (US).
- (81) Designated States (unless otherwise indicated, for every
kind of national protection available): AE, AG, AL, AM,
AO, AT, AU, AZ, BA, BB, BG, BH, BR, BW, BY, BZ,
CA, CH, CL, CN, CO, CR, CU, CZ, DE, DK, DM, DO,
DZ, EC, EE, EG, ES, FI, GB, GD, GE, GH, GM, GT,
HN, HR, HU, ID, IL, IN, IS, JP, KE, KG, KM, KN, KP,
KR, KZ, LA, LC, LK, LR, LS, LT, LU, LY, MA, MD,
ME, MG, MK, MN, MW, MX, MY, MZ, NA, NG, NI,
NO, NZ, OM, PE, PG, PH, PL, PT, RO, RS, RU, SC, SD,
SE, SG, SK, SL, SM, ST, SV, SY, TJ, TM, TN, TR, TT,
TZ, UA, UG, US, UZ, VC, VN, ZA, ZM, ZW.
- (84) Designated States (unless otherwise indicated, for every
kind of regional protection available): ARIPO (BW, GH,
GM, KE, LS, MW, MZ, NA, SD, SL, SZ, TZ, UG, ZM,
ZW), Eurasian (AM, AZ, BY, KG, KZ, MD, RU, TJ,
TM), European (AT, BE, BG, CH, CY, CZ, DE, DK, EE,
ES, FI, FR, GB, GR, HR, HU, IE, IS, IT, LT, LU, LV,
MC, MK, MT, NL, NO, PL, PT, RO, SE, SI, SK, TR),
OAPI (BF, BJ, CF, CG, CI, CM, GA, GN, GQ, GW, ML,
MR, NE, SN, TD, TG).

[Continued on next page]

(54) Title: SLIP ON GROOVE COUPLING WITH MULTIPLE SEALING GASKET

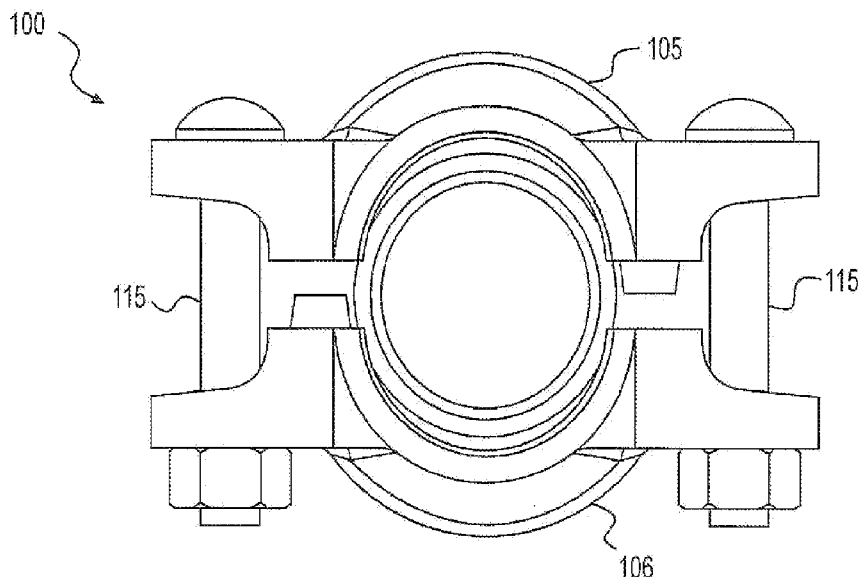


FIG. 1
PRIOR ART

(57) Abstract: Methods, gaskets, and couplings for connecting two pipes are disclosed. One embodiment of the method includes the steps of placing the assembled coupling over one end of a pipe, aligning the second pipe with the first pipe, sliding the coupling off the end of the first pipe so that a portion of the coupling is around each pipe, and securing the coupling.

WO 2010/002695 A3



Published:

(88) Date of publication of the international search report:

4 March 2010

- *with international search report (Art. 21(3))*
- *before the expiration of the time limit for amending the claims and to be republished in the event of receipt of amendments (Rule 48.2(h))*

INTERNATIONAL SEARCH REPORT

International application No.
PCT/US2009/048637**A. CLASSIFICATION OF SUBJECT MATTER****F16L 37/00(2006.01)i**

According to International Patent Classification (IPC) or to both national classification and IPC

B. FIELDS SEARCHED

Minimum documentation searched (classification system followed by classification symbols)

F16L 37/00, F16L17/00, F16L17/06 & F16L21/06

Documentation searched other than minimum documentation to the extent that such documents are included in the fields searched

Korean utility models and applications for utility models since 1975.
Japanese utility models and applications for utility models since 1975.

Electronic data base consulted during the international search (name of data base and, where practicable, search terms used)

eKOMPASS(KIPO internal) & Keywords : 'slip', 'coupling' & 'gasket'

C. DOCUMENTS CONSIDERED TO BE RELEVANT

Category*	Citation of document, with indication, where appropriate, of the relevant passages	Relevant to claim No.
Y A	EP 1180630 B1 (DYNAMIC AIR INC.) 13 October 2004 See fig. 1-15.	1-9,14-17,21-34,38-49, 54-57,61-68 10-13,18-20,35-37,50- 53,58-60
Y A	KR 10-2005-0121743 A (VICTAULIC COMPANY) 27 December 2005 See fig. 1-17.	1-9,14-17,21-34,38-49, 54-57,61-68 10-13,18-20,35-37,50- 53,58-60
A	WO 2005-114024 A2 (VICTAULIC COMPANY OF AMERICA et al.) 01 December 2005 See fig. 1-25.	1-68

 Further documents are listed in the continuation of Box C. See patent family annex.

* Special categories of cited documents:

"A" document defining the general state of the art which is not considered to be of particular relevance

"E" earlier application or patent but published on or after the international filing date

"L" document which may throw doubts on priority claim(s) or which is cited to establish the publication date of citation or other special reason (as specified)

"O" document referring to an oral disclosure, use, exhibition or other means

"P" document published prior to the international filing date but later than the priority date claimed

"T" later document published after the international filing date or priority date and not in conflict with the application but cited to understand the principle or theory underlying the invention

"X" document of particular relevance; the claimed invention cannot be considered novel or cannot be considered to involve an inventive step when the document is taken alone

"Y" document of particular relevance; the claimed invention cannot be considered to involve an inventive step when the document is combined with one or more other such documents, such combination being obvious to a person skilled in the art

"&" document member of the same patent family

Date of the actual completion of the international search

30 DECEMBER 2009 (30.12.2009)

Date of mailing of the international search report

04 JANUARY 2010 (04.01.2010)

Name and mailing address of the ISA/KR

Korean Intellectual Property Office
Government Complex-Daejeon, 139 Seonsa-ro, Seo-
gu, Daejeon 302-701, Republic of Korea

Facsimile No. 82-42-472-7140

Authorized officer

CHUNG, Woo Jin

Telephone No. 82-42-481-8427



INTERNATIONAL SEARCH REPORT

Information on patent family members

International application No.

PCT/US2009/048637

Patent document cited in search report	Publication date	Patent family member(s)	Publication date
EP 1180630 B1	13. 10. 2004	AT 279680 T	15. 10. 2004
		AU 5595501 A	14. 02. 2002
		AU 779254 B2	13. 01. 2005
		BR 0103279 A	26. 03. 2002
		CA 2354668-A1	09. 02. 2002
		DE 60106351 D1	18. 11. 2004
		DE 60106351 T2	02. 02. 2006
		EP 1180630 A2	20. 02. 2002
		EP 1180630 A3	16. 04. 2003
		EP 1180630 B1	13. 10. 2004
		ES 2228710 T3	16. 04. 2005
		JP 2002-147664 A	22. 05. 2002
		MX01007683A	22. 11. 2002
		US 2003-020276 A1	30. 01. 2003
		US 6502865 B1	07. 01. 2003
		US 6735841 B2	18. 05. 2004
		KR 10-2005-0121743 A	27. 12. 2005
WO 2005-114024 A2	01. 12. 2005	AU 2005-245821 A1	01. 12. 2005
		CA 2566216-A1	01. 12. 2005
		CA 2566271-A1	01. 12. 2005
		CA 2566272-A1	01. 12. 2005
		CA 2566274-A1	01. 12. 2005
		CA 2566697-A1	01. 12. 2005
		CN 101027515 A	29. 08. 2007
		CN 101061340 A	24. 10. 2007
		CN 101091081 A	19. 12. 2007
		CN 101175940 A	07. 05. 2008
		CN 1878978 A	13. 12. 2006
		EP 1766279 A2	28. 03. 2007
		EP 1766280 A2	28. 03. 2007
		EP 1766281 A2	28. 03. 2007
		EP 1766282 A2	28. 03. 2007
		EP 1769182 A2	04. 04. 2007
		JP 2007-537414 T	20. 12. 2007
		MX06013174A	14. 02. 2007
		WO 2005-114023 A2	01. 12. 2005
		WO 2005-114023 A3	27. 04. 2006
		WO 2005-114024 A2	01. 12. 2005
		WO 2005-114024 A3	12. 07. 2007
		WO 2005-114025 A2	01. 12. 2005
WO 2005-114025 A3	28. 06. 2007		
WO 2005-114026 A2	01. 12. 2005		
WO 2005-114026 A3	04. 01. 2007		
WO 2005-114027 A2	01. 12. 2005		
WO 2005-114027 A3	04. 10. 2007		
WO 2005-114028 A2	01. 12. 2005		
WO 2005-114028 A3	05. 07. 2007		