



US00D859056S

(12) **United States Design Patent**
Hawkins et al.

(10) **Patent No.:** **US D859,056 S**

(45) **Date of Patent:** **** Sep. 10, 2019**

(54) **COOKING GRILL**

7,335,860 B2 2/2008 Li
D568,095 S * 5/2008 De' Longhi D7/362
D622,538 S * 8/2010 Hoare D7/352

(Continued)

(71) Applicant: **Walmart Apollo, LLC**, Bentonville,
AR (US)

(72) Inventors: **Tammy Hawkins**, Centerton, AR (US);
Daron L. Steward, Rogers, AR (US)

OTHER PUBLICATIONS

Salter, "Salter EF1647 8-in-1 Multi-Cooker", Amazon.co.uk, accessed
Dec. 28, 2015; 7 pages.

(Continued)

(73) Assignee: **WALMART APOLLO, LLC**,
Bentonville, AR (US)

(**) Term: **15 Years**

Primary Examiner — Barbara Fox

Assistant Examiner — Mehri F Bajoul

(21) Appl. No.: **29/569,358**

(74) *Attorney, Agent, or Firm* — Schmesier, Olsen &
Watts LLP; Sean K. Enos

(22) Filed: **Jun. 27, 2016**

(51) **LOC (12) Cl.** **07-02**

(57) **CLAIM**

An ornamental design for a cooking grill, as shown and
described.

(52) **U.S. Cl.**

USPC **D7/352**

(58) **Field of Classification Search**

USPC D7/323, 328-330, 347, 352-364, 367,
D7/402, 409-411

CPC .. A47J 27/60; A47J 27/62; A47J 37/04; A47J
37/06; A47J 37/067; A47J 37/0605; A47J
37/0611; A47J 37/0623; A21B 5/023;
F24C 7/10; H05B 3/68

See application file for complete search history.

(56) **References Cited**

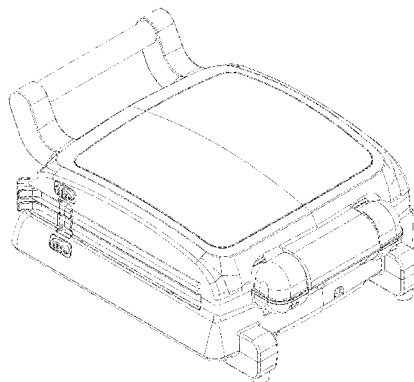
U.S. PATENT DOCUMENTS

2,478,614	A	8/1949	Wilbur	
D271,556	S *	11/1983	Bowen D7/352
5,467,696	A *	11/1995	Everhart A47J 37/10 99/375
D367,994	S *	3/1996	Bloom D7/352
D437,182	S *	2/2001	Choi D7/360
D437,183	S *	2/2001	Wong D7/362
6,439,108	B1 *	8/2002	Wu A47J 37/0611 99/349
6,555,795	B2	4/2003	Glucksman et al.	
6,603,099	B2	8/2003	Gouthiere	
D525,078	S *	7/2006	Hoenstein D7/359
D548,002	S *	8/2007	De'Longhi D7/362

DESCRIPTION

FIG. 1 is a top rear right perspective view of a cooking grill showing our new design;
FIG. 2 is a top rear left perspective view thereof;
FIG. 3 is a top front left perspective view thereof;
FIG. 4 is a top front right perspective view thereof;
FIG. 5 is a bottom rear right perspective view thereof;
FIG. 6 is a bottom rear left perspective view thereof;
FIG. 7 is a bottom front left perspective view thereof;
FIG. 8 is a bottom front right perspective view thereof
FIG. 9 is a top front right perspective view of the cooking grill in an open position;
FIG. 10 is a top front left perspective view thereof;
FIG. 11 is a front view thereof;
FIG. 12 is a rear view thereof;
FIG. 13 is a left side view thereof;
FIG. 14 is a right side view thereof;
FIG. 15 is a top plan view thereof; and,
FIG. 16 is a bottom plan view thereof.

1 Claim, 16 Drawing Sheets



(56)

References Cited

U.S. PATENT DOCUMENTS

D644,477 S * 9/2011 Burton D7/352
 D668,906 S * 10/2012 Lavy D7/352
 D669,300 S * 10/2012 Lavy D7/352
 D671,791 S * 12/2012 Cesaroni D7/352
 D676,273 S * 2/2013 Liu D7/352
 D679,129 S * 4/2013 Cesaroni D7/352
 D687,676 S * 8/2013 Engler D7/352
 D707,075 S * 6/2014 Fung D7/352
 D711,186 S * 8/2014 De'Longhi D7/352
 D714,092 S * 9/2014 Verbrugge D7/352
 D718,976 S * 12/2014 Miller D7/352
 D731,227 S * 6/2015 Marsh-Croft D7/352
 D741,651 S * 10/2015 Marsh-Croft D7/352
 D749,887 S * 2/2016 Chang D7/352
 D755,560 S * 5/2016 Day D7/352
 D760,015 S * 6/2016 Koszylko D7/352
 D760,016 S * 6/2016 Koszylko D7/352
 D760,532 S * 7/2016 Koszylko D7/352
 D764,223 S * 8/2016 Lee D7/352
 D766,038 S * 9/2016 Dimino D7/352
 D766,645 S * 9/2016 Koszylko D7/352

D769,059 S * 10/2016 Lee D7/352
 D781,637 S * 3/2017 Mercier D7/348
 2010/0326286 A1 12/2010 Romero et al.
 2011/0095015 A1 4/2011 Kao
 2011/0156564 A1 6/2011 Park
 2011/0214576 A1* 9/2011 Li A47J 37/0611
 99/379
 2015/0312964 A1 10/2015 Sorenson et al.
 2017/0181574 A1 6/2017 Altenritter et al.

OTHER PUBLICATIONS

Prolink Asia, "8-in-1 Cooking Master", ProlinkAsia.com, accessed Dec. 28, 2015; 4 pages.
 Delang (Shunde) Electrical Appliance Co. Ltd., "8 in 1 Cooking Master, multi cooker, wonder cooker, multifunction", delang-sd.en.alibaba.com, accessed Dec. 28, 2015; 5 pages.
 Kawachi Group, "Kawachi 8-in-1 Multi Function Ultra Chef Multi Cooker-White", KawachiGroup.com, accessed Dec. 28, 2015; 8 pages.
 Non-Final Office Action in U.S. Appl. No. 15/472,631 dated Jun. 24, 2019; 28 pages.

* cited by examiner

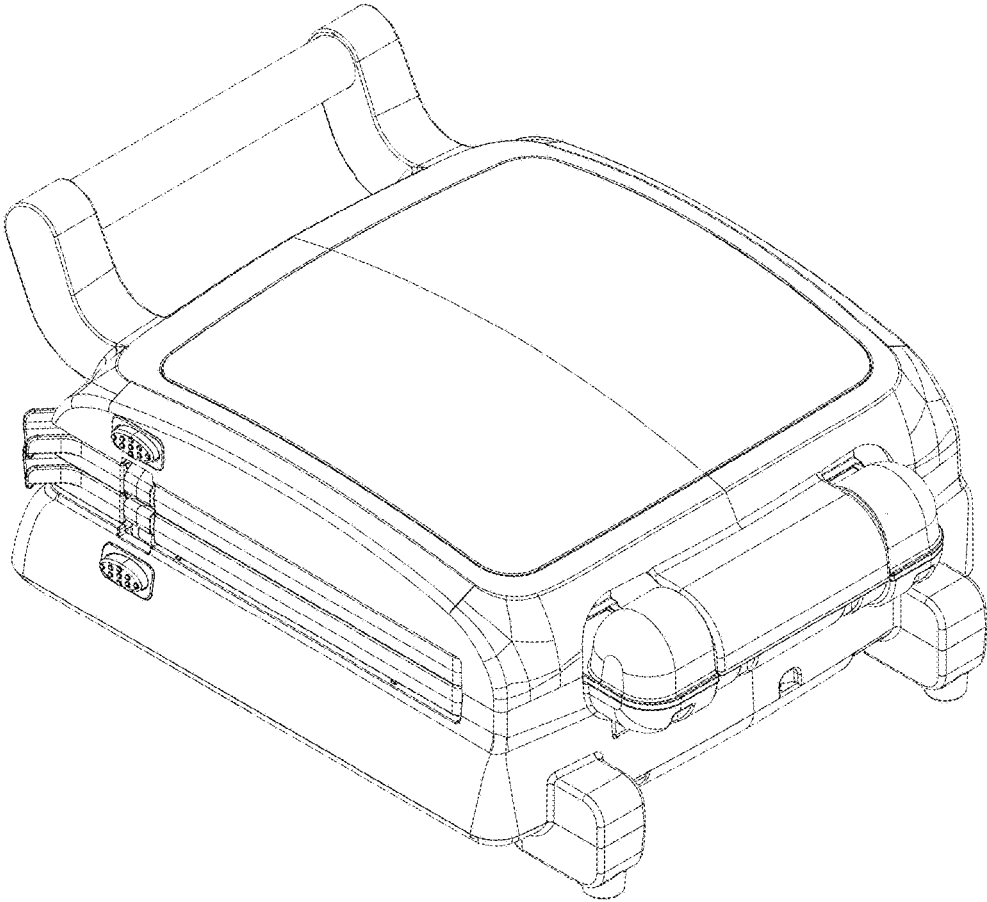


FIG. 1

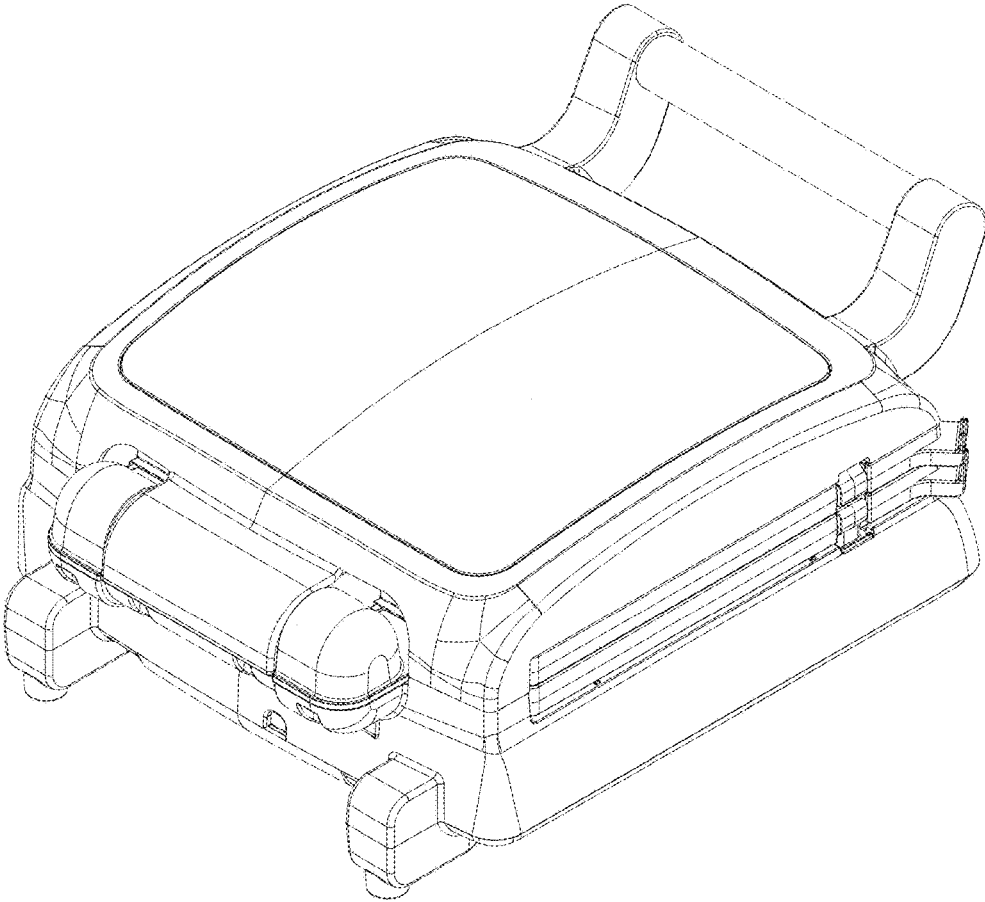


FIG. 2

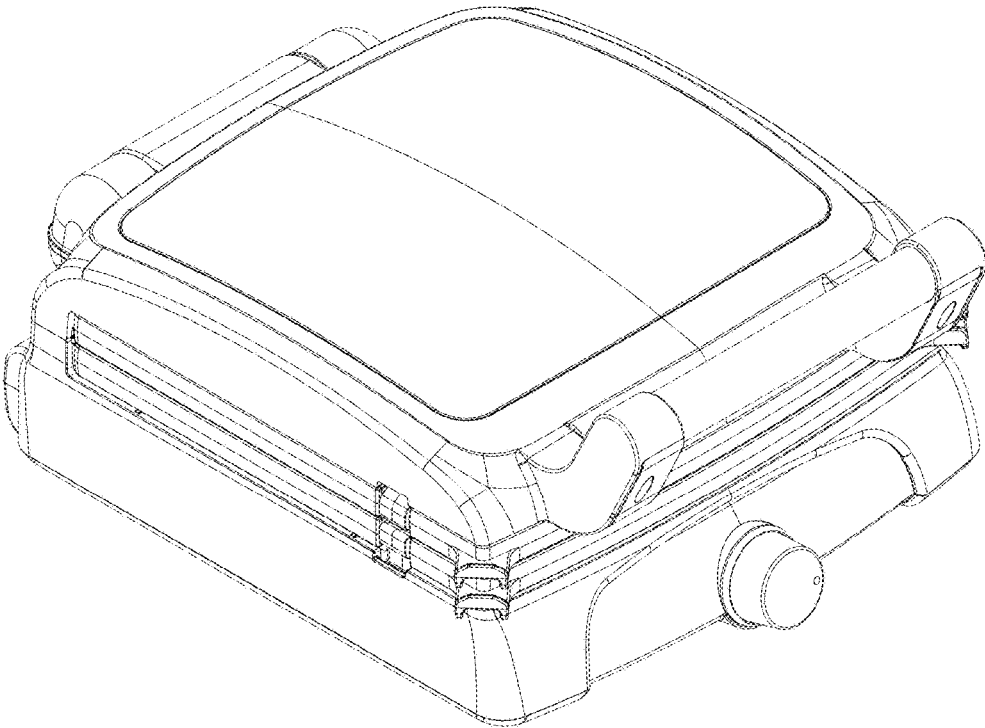


FIG. 3



FIG. 4

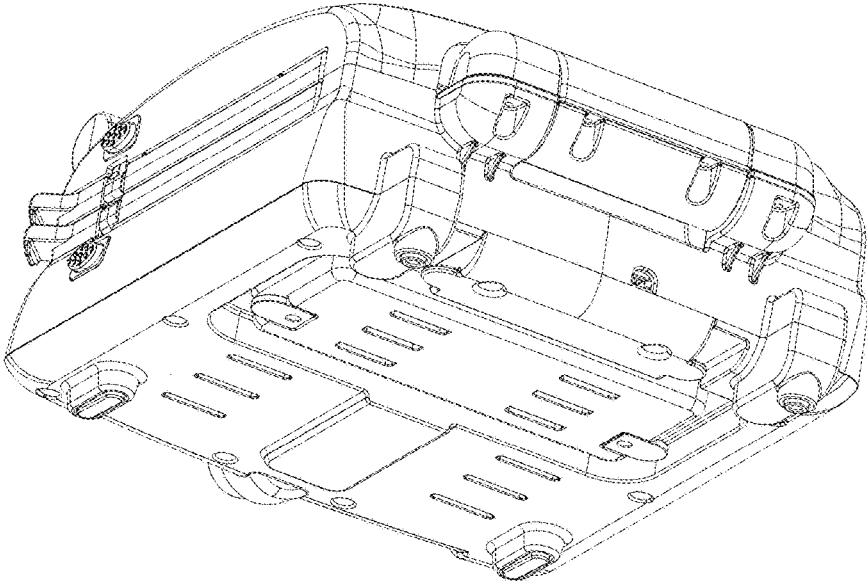


FIG. 5

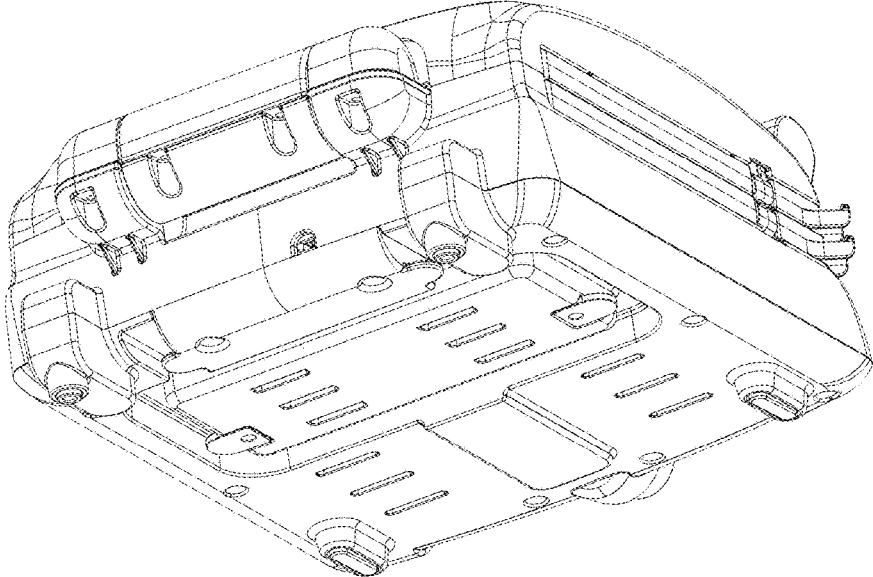


FIG. 6

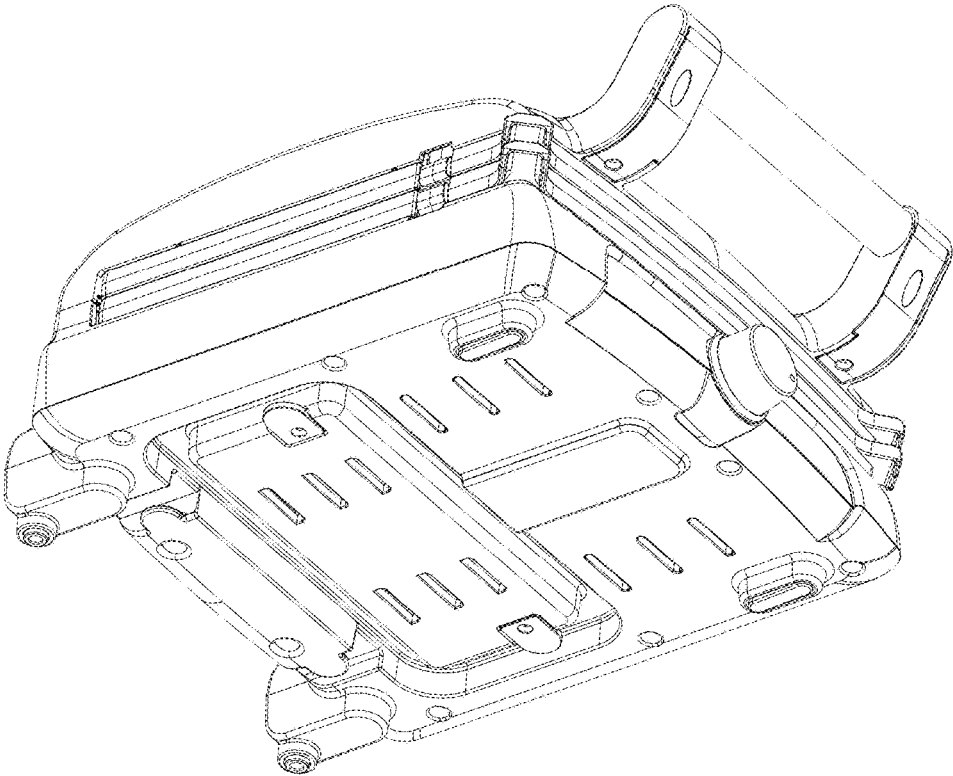


FIG. 7

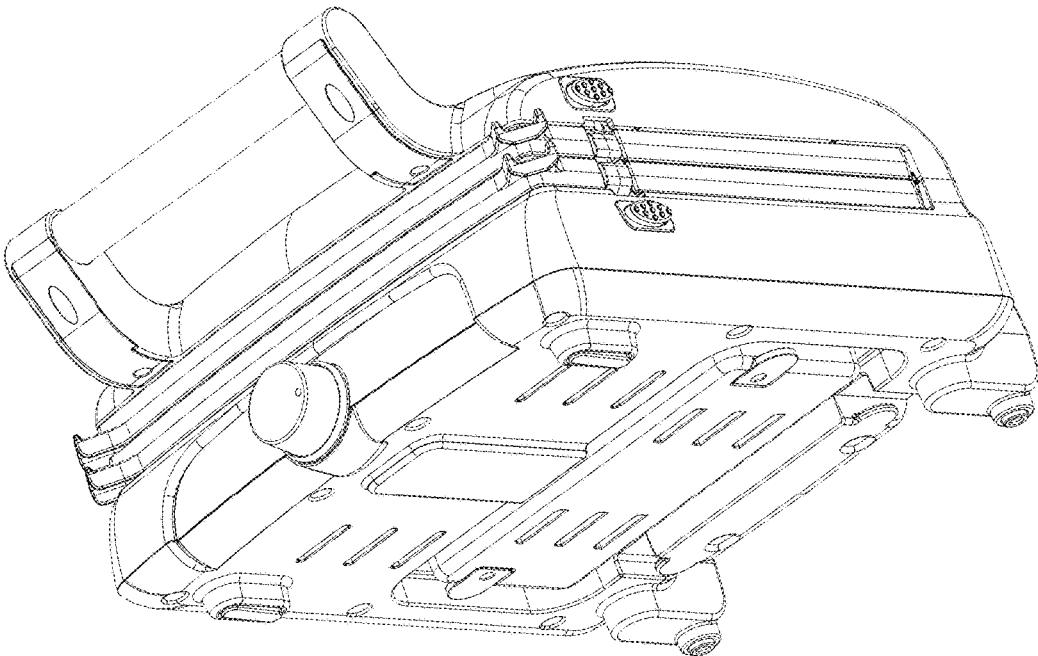


FIG. 8

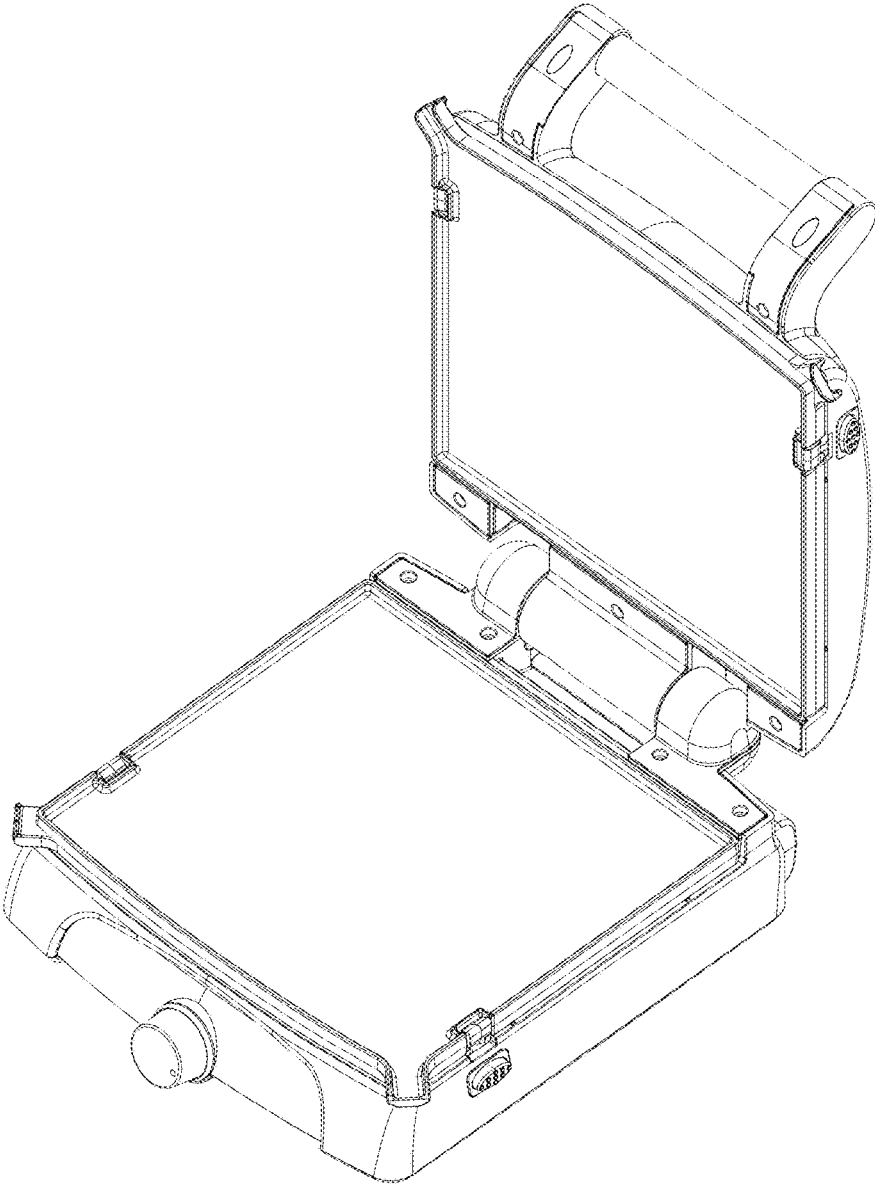


FIG. 9

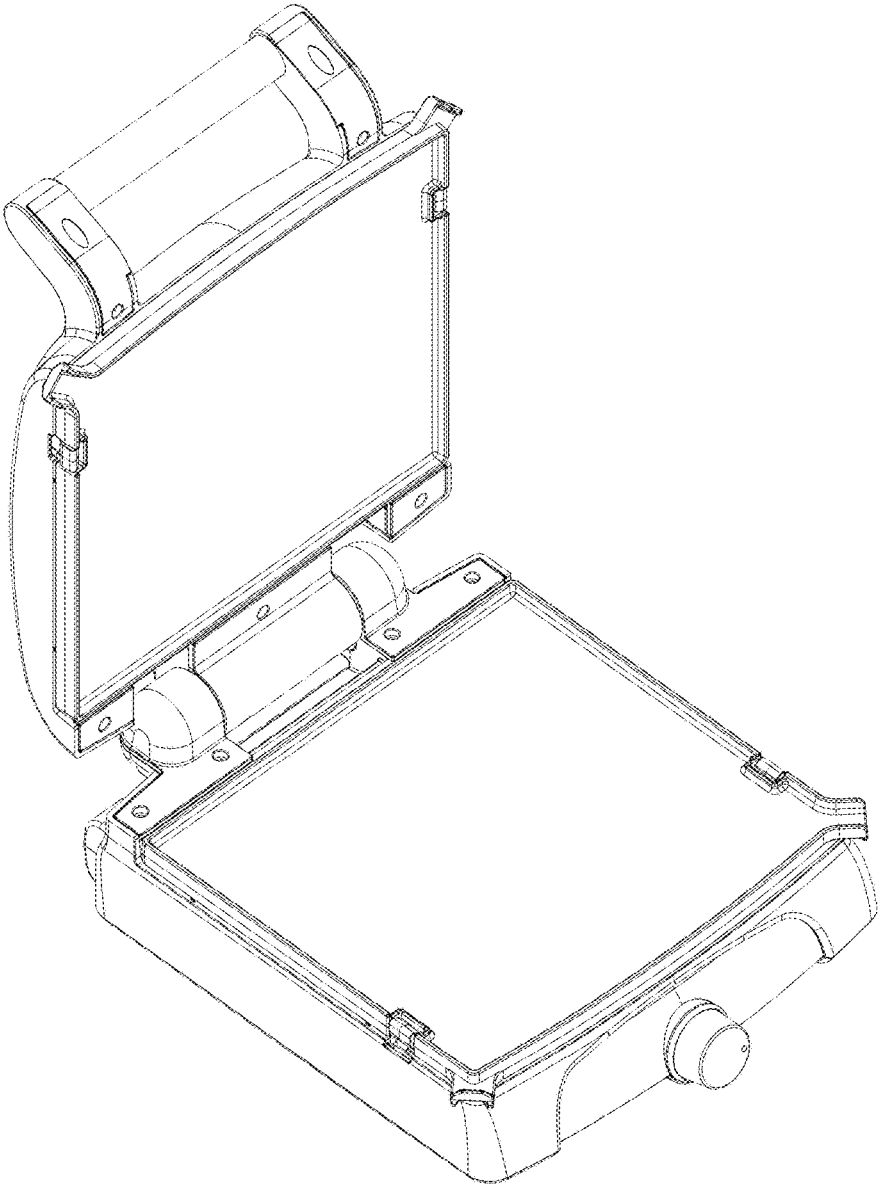


FIG. 10

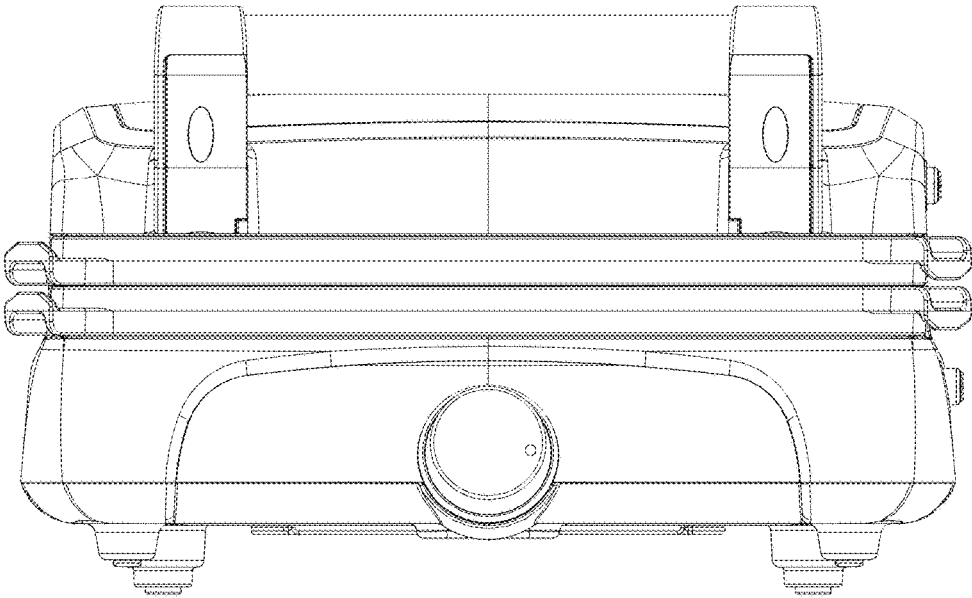


FIG. 11

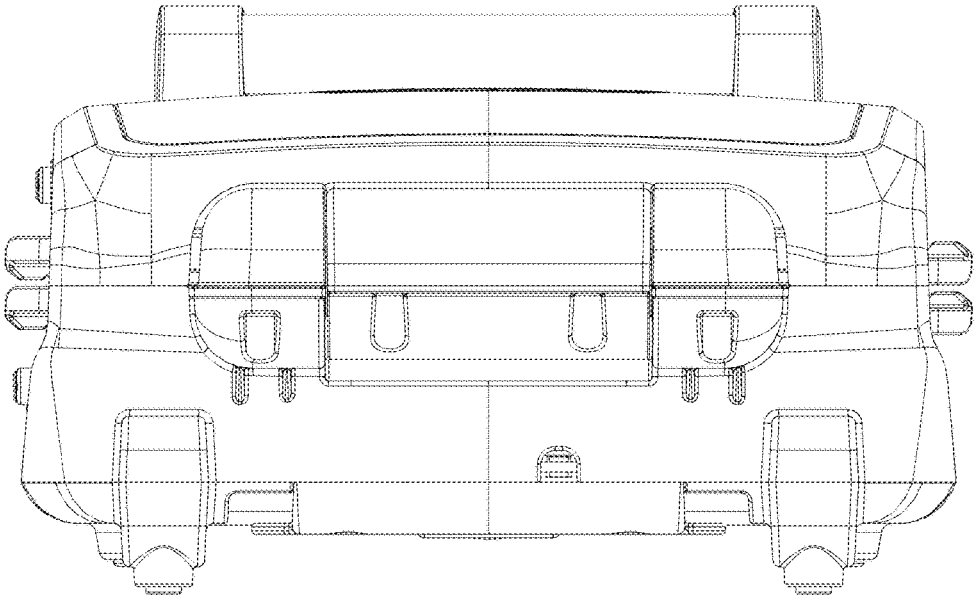


FIG. 12

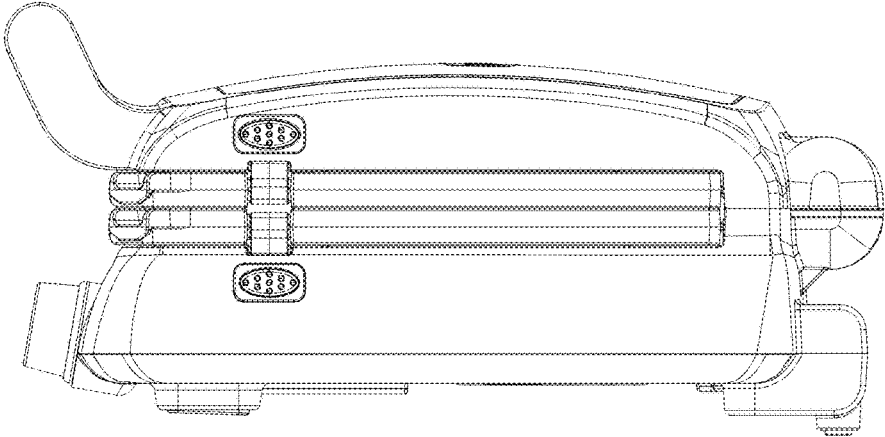


FIG. 13

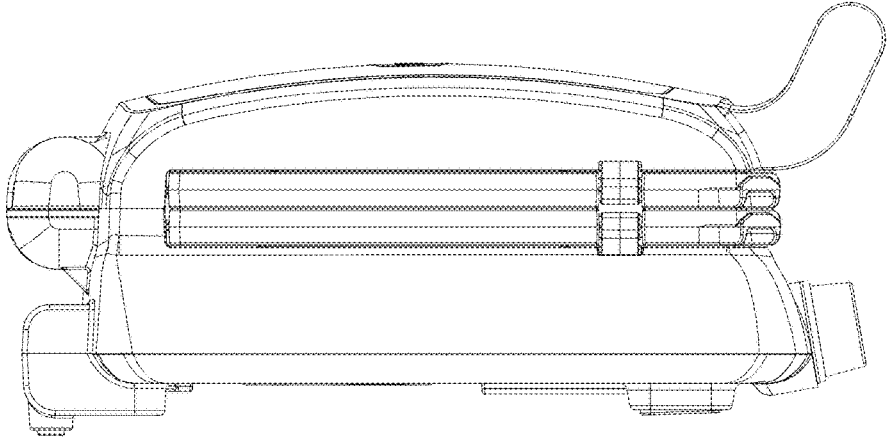


FIG. 14

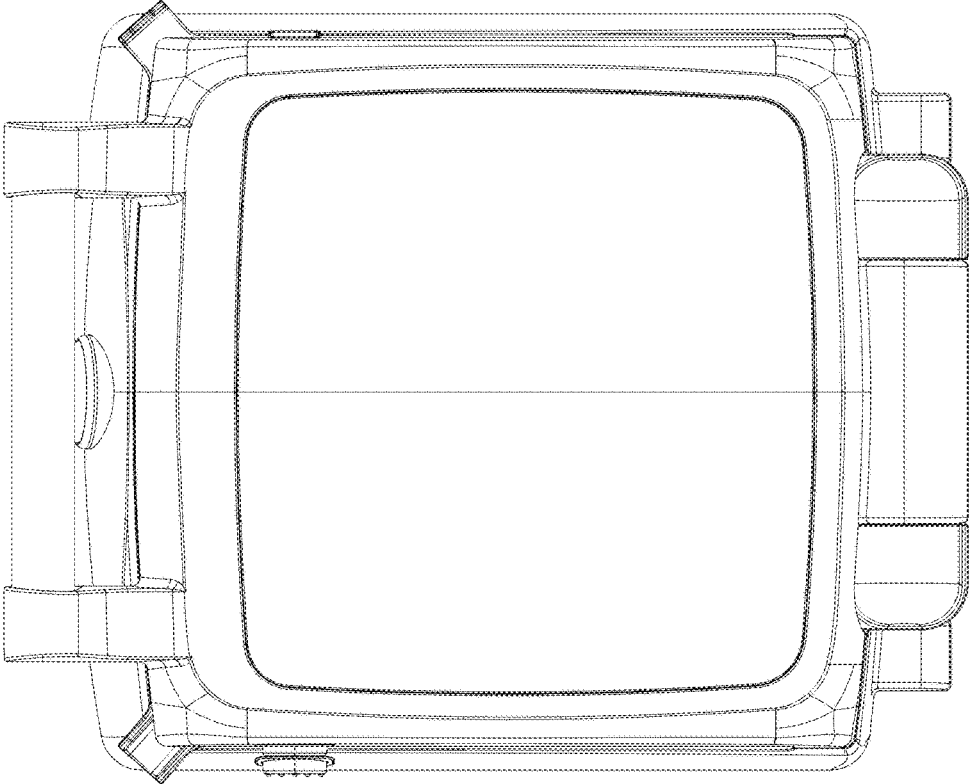


FIG. 15

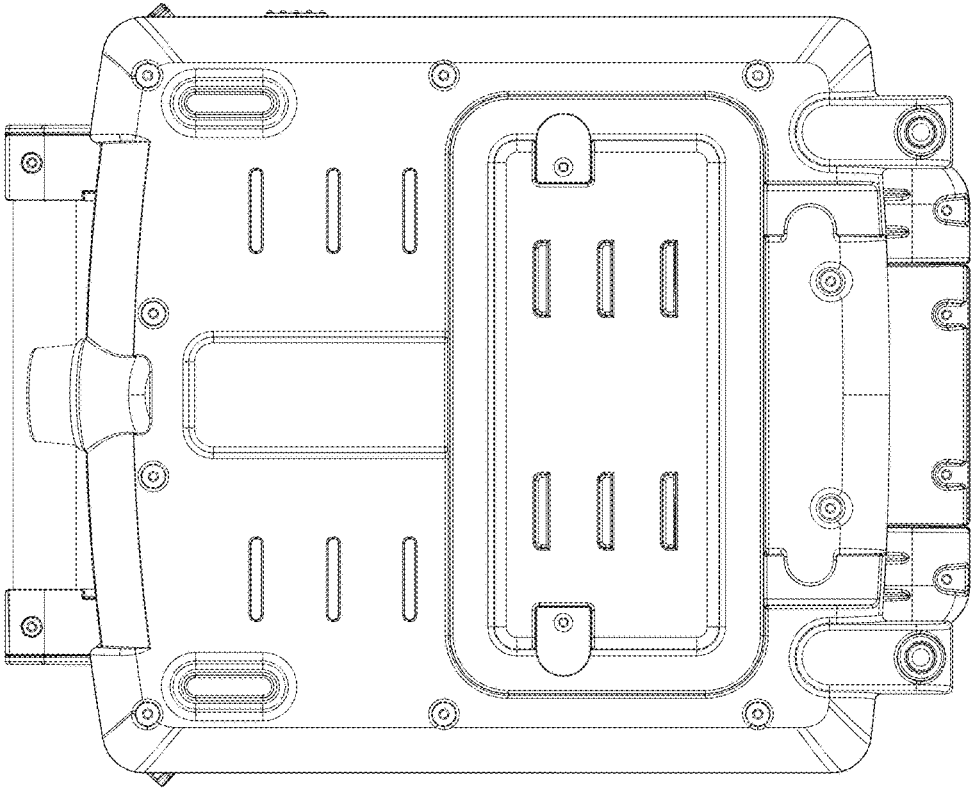


FIG. 16