



US00D992725S

(12) **United States Design Patent**  
**Poissant et al.**

(10) **Patent No.:** **US D992,725 S**  
(45) **Date of Patent:** **\*\* Jul. 18, 2023**

- (54) **FACE MASK**
- (71) Applicants: **Daniel Poissant**, Mont-St-Hilaire (CA);  
**Samuel Poissant**, La Presentation (CA)
- (72) Inventors: **Daniel Poissant**, Mont-St-Hilaire (CA);  
**Samuel Poissant**, La Presentation (CA);  
**Arnaud Derouet**, Montreal (CA)

6,026,511 A \* 2/2000 Baumann ..... A61F 9/029  
2/9  
D568,545 S \* 5/2008 Schaffner ..... D29/110  
D640,011 S \* 6/2011 Teng ..... D29/108  
D907,226 S \* 1/2021 Park ..... D24/209  
10,945,469 B1 \* 3/2021 Rosenberg ..... A62B 18/08  
10,980,297 B1 \* 4/2021 Augustine ..... A62B 7/10  
D926,387 S \* 7/2021 Goldberg ..... D29/110  
D930,254 S \* 9/2021 Hong ..... D24/110.2

(Continued)

- (73) Assignees: **Daniel Poissant**, Mont-Saint-Hilaire  
(CA); **Samuel Poissant**

**FOREIGN PATENT DOCUMENTS**

(\*\*) Term: **15 Years**

CA 2329541 A1 11/1999  
CA 2337434 A1 2/2000

(21) Appl. No.: **29/738,693**

**OTHER PUBLICATIONS**

- (22) Filed: **Jun. 18, 2020**
- (51) **LOC (14) Cl.** ..... **29-02**
- (52) **U.S. Cl.**  
USPC ..... **D24/110.2**; D29/108
- (58) **Field of Classification Search**  
USPC ..... D24/110, 110.1-110.6; D29/108  
CPC . A41D 13/11; A41D 13/1107; A41D 13/1115;  
A41D 13/1123; A41D 13/113; A41D  
13/1138; A41D 13/1146; A41D 13/1153;  
A41D 13/1161; A41D 13/1169; A41D  
13/1176; A61M 16/06; A62B 18/00;  
A62B 18/02; A62B 18/025; A62B 23/00  
See application file for complete search history.

International Search Report, PCT/CA2021/050493, dated Jul. 14, 2021.  
Written Opinion, PCT/CA2021/050493, dated Jul. 14, 2021.

*Primary Examiner* — Richard Kearney  
*Assistant Examiner* — Michael Hoffman  
(74) *Attorney, Agent, or Firm* — Lavery, de Billy, LLP;  
Gwendoline Bruneau

(57) **CLAIM**

The ornamental design for a face mask, as shown and described.

**DESCRIPTION**

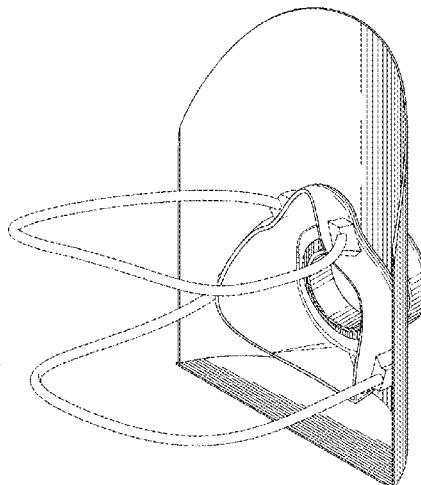
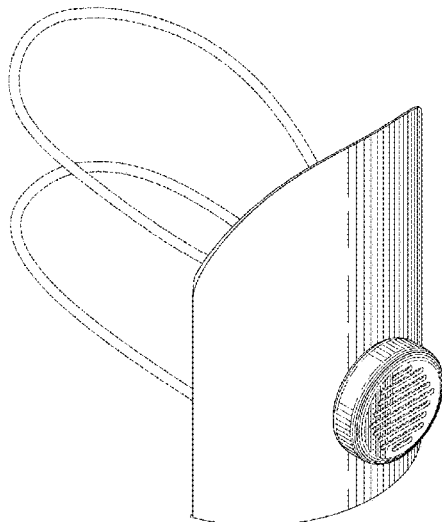
(56) **References Cited**

**U.S. PATENT DOCUMENTS**

2,462,005 A \* 2/1949 Schauweker ..... A62B 18/02  
D24/110.2  
2,762,368 A \* 9/1956 Bloomfield ..... A41D 13/1184  
D24/110.2  
5,113,528 A \* 5/1992 Burke, Jr. .... A61F 9/02  
128/857  
5,406,944 A \* 4/1995 Gazzara ..... A62B 18/082  
128/201.12  
D374,951 S \* 10/1996 Machson ..... A41D 13/1184  
D29/110

FIG. 1 is a perspective front view of the face mask;  
FIG. 2 is a perspective rear view thereof;  
FIG. 3 is a front view thereof;  
FIG. 4 is a first side view thereof;  
FIG. 5 is a second side view thereof;  
FIG. 6 is a top view thereof;  
FIG. 7 is a rear view thereof; and,  
FIG. 8 is a bottom view thereof.  
The broken lines shown in the drawings illustrate portions of the article and form no part of the claimed design.

**1 Claim, 8 Drawing Sheets**



(56)

**References Cited**

U.S. PATENT DOCUMENTS

11,109,625 B1 \* 9/2021 Avasarala ..... A62B 18/08  
11,135,459 B1 \* 10/2021 Caldwell ..... A62B 18/025  
D941,480 S \* 1/2022 Kim ..... D24/209  
D945,078 S \* 3/2022 Wu ..... D29/108  
D949,357 S \* 4/2022 Yao ..... D24/209  
D949,485 S \* 4/2022 Wu ..... D29/110  
D957,661 S \* 7/2022 Kwon ..... D24/209  
D959,754 S \* 8/2022 Hughes ..... D24/110.2  
2004/0221849 A1 \* 11/2004 Shue ..... A62B 18/025  
128/206.13  
2015/0237931 A1 \* 8/2015 Miller ..... A41D 13/1184  
2/9  
2021/0401086 A1 \* 12/2021 Chandler ..... A41D 13/1184  
2022/0110387 A1 \* 4/2022 Dettorre ..... A41D 13/1184

\* cited by examiner

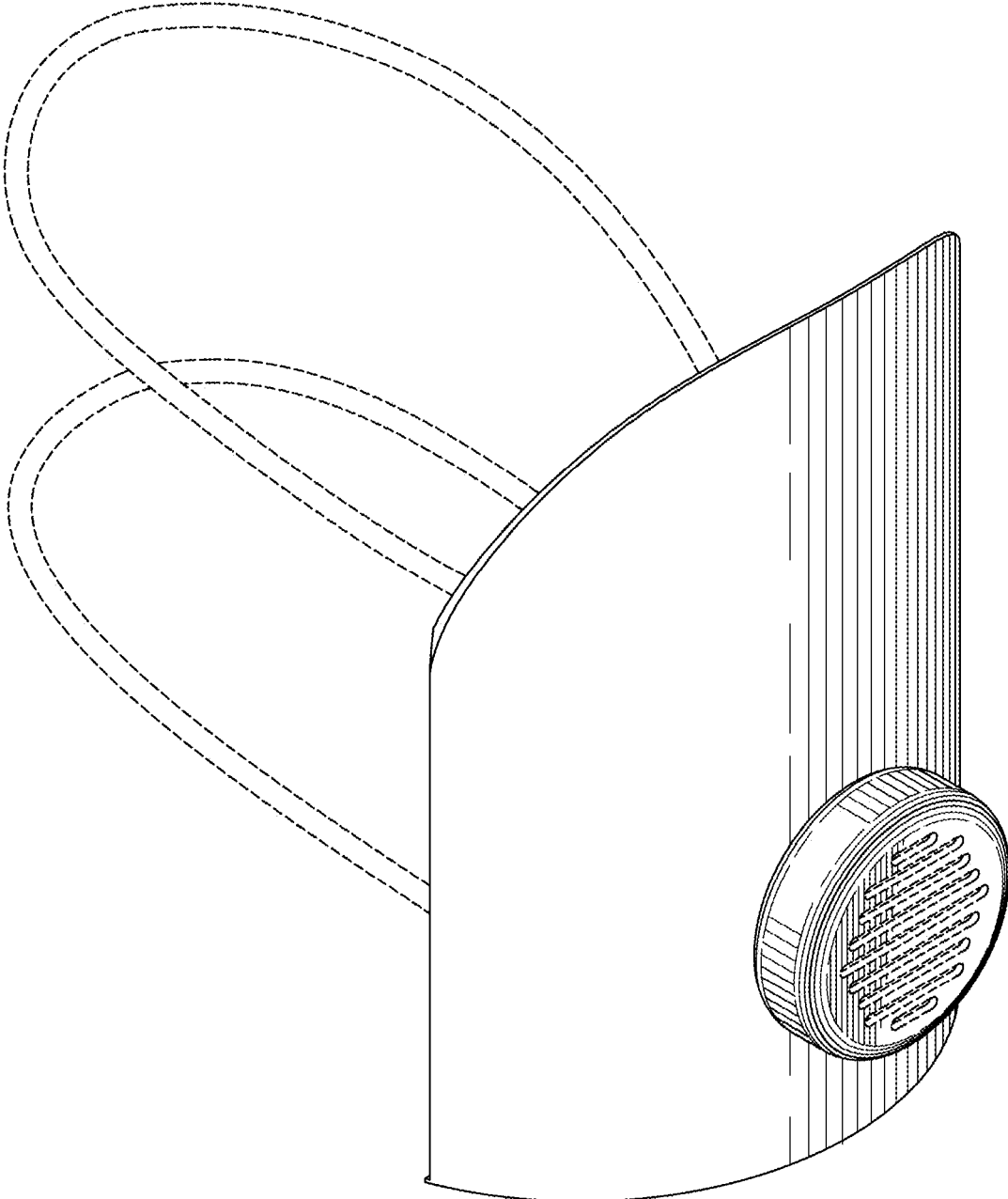


FIG. 1

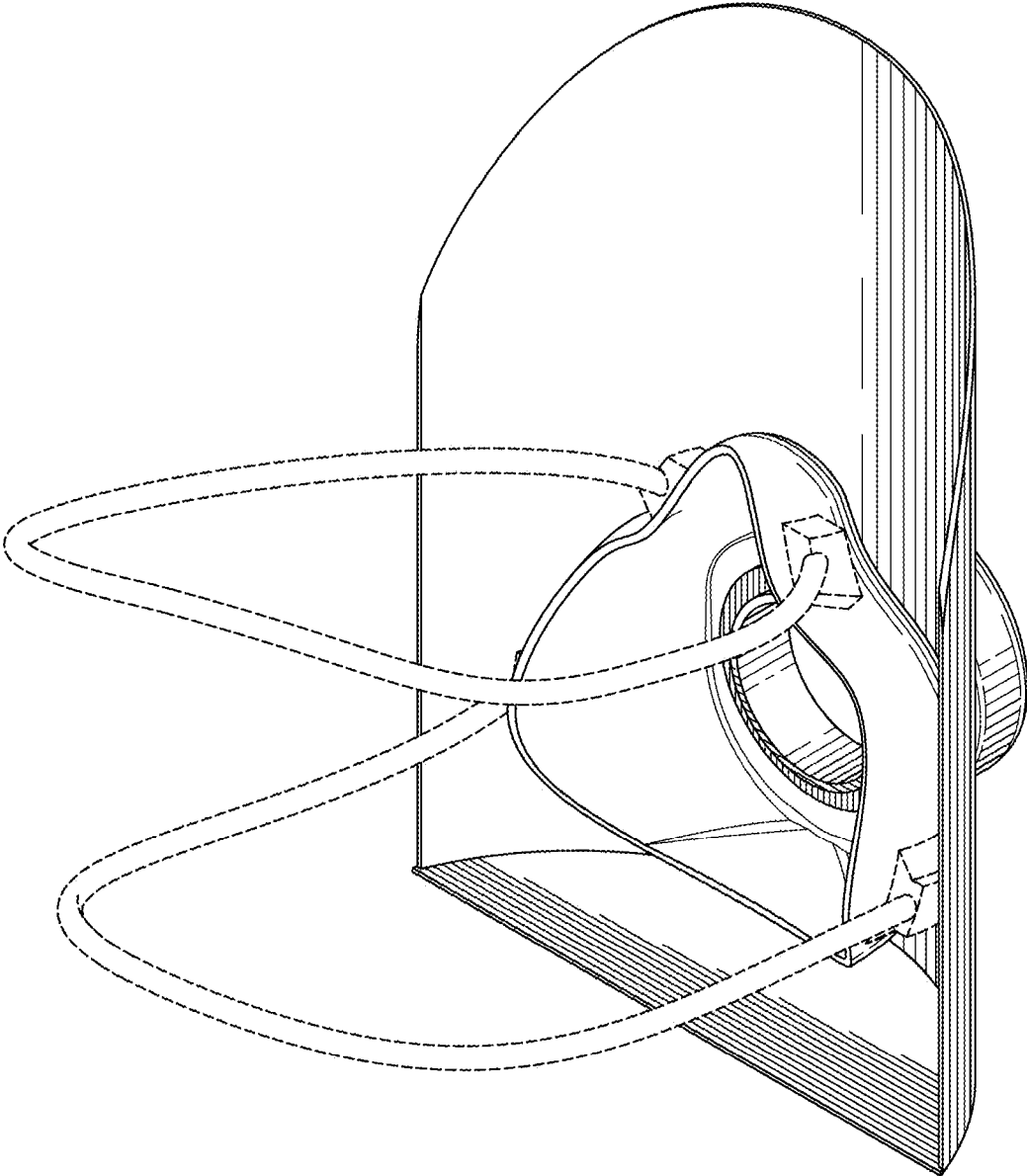


FIG. 2

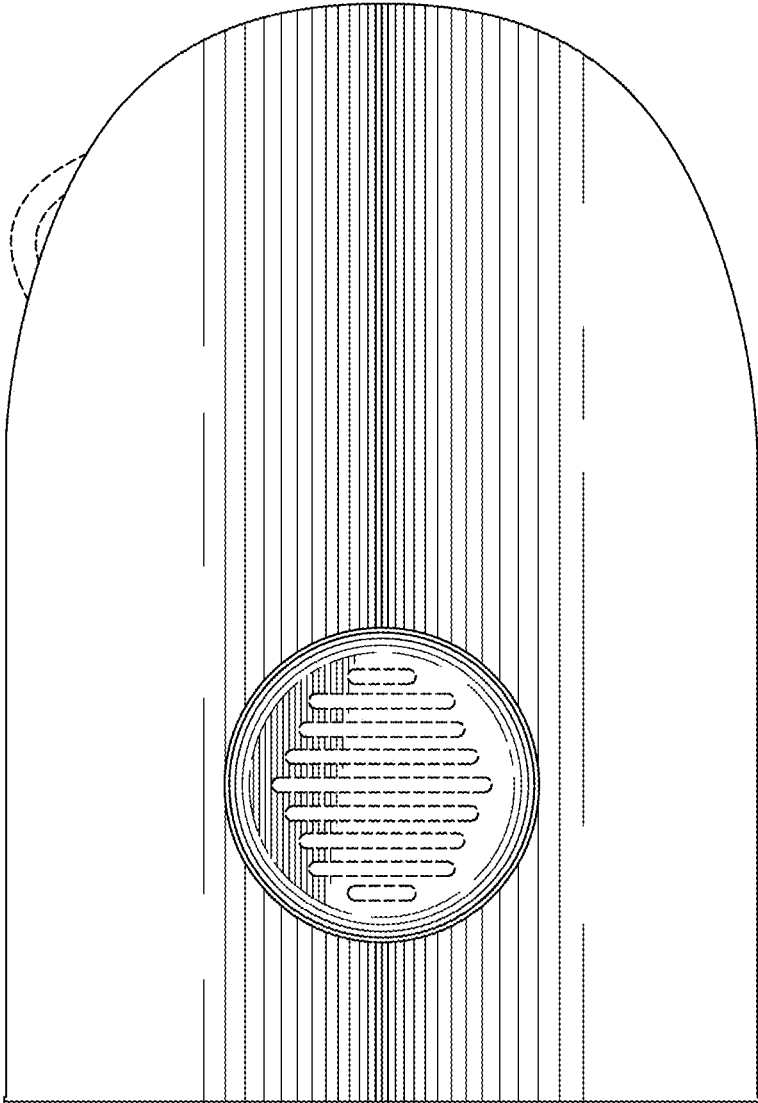


FIG. 3

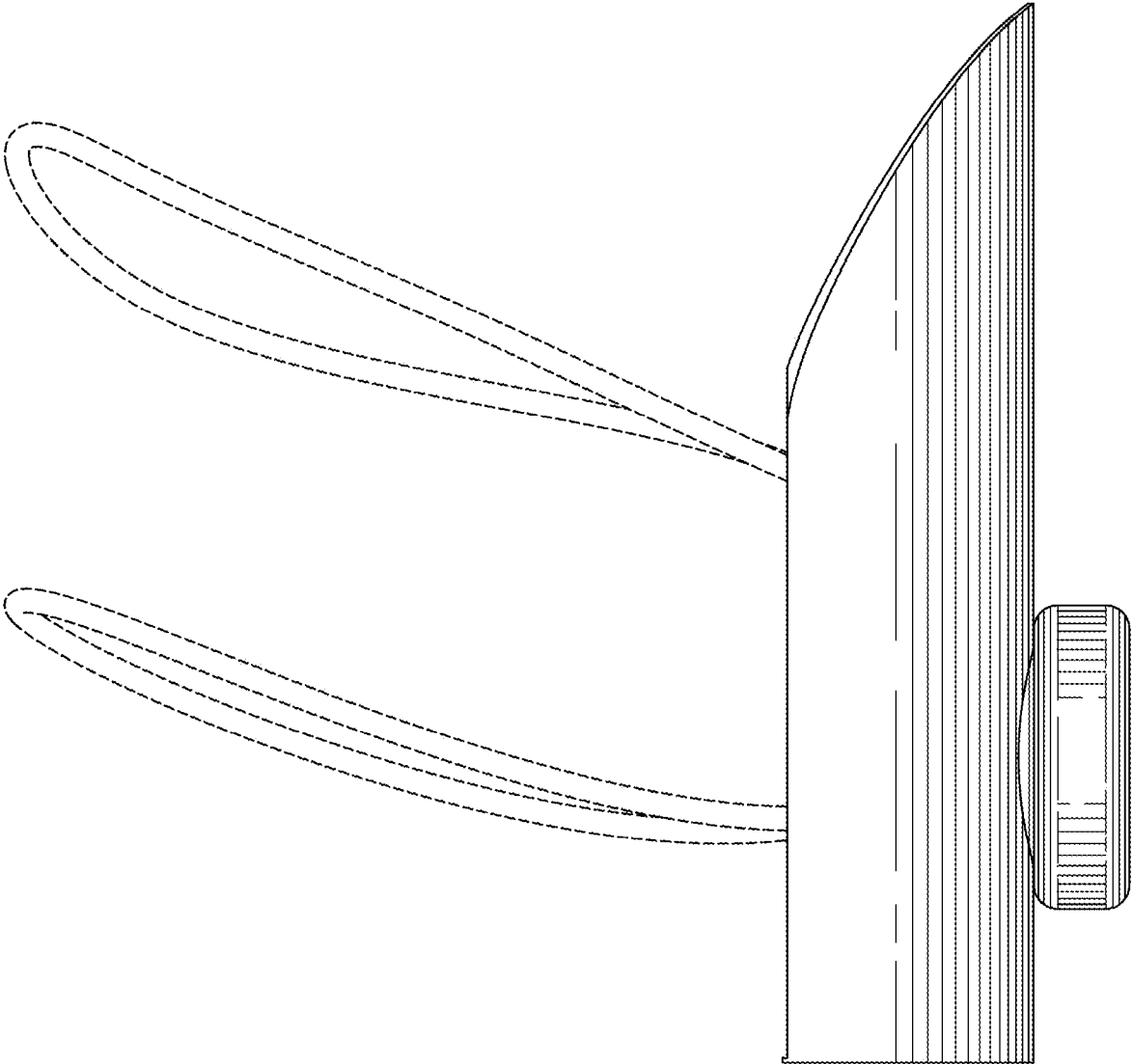


FIG. 4

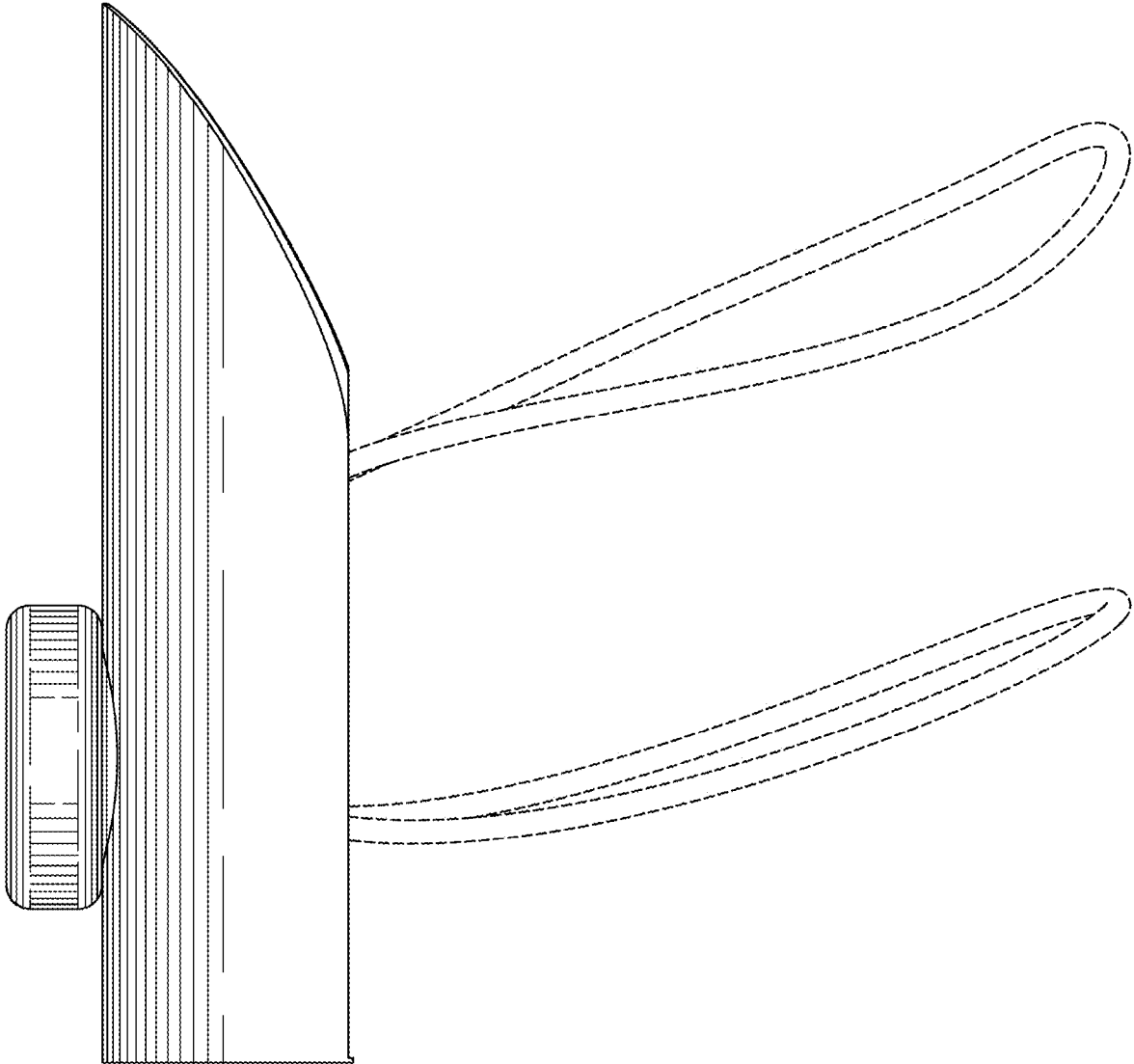


FIG. 5

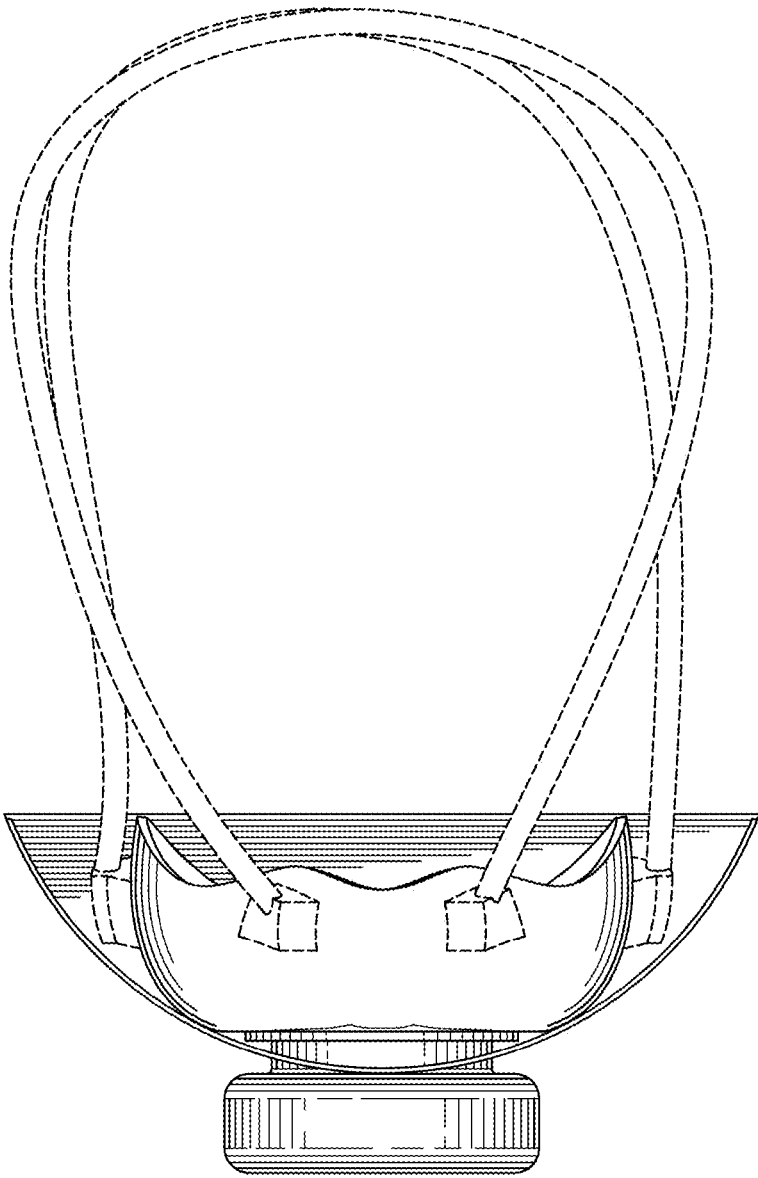
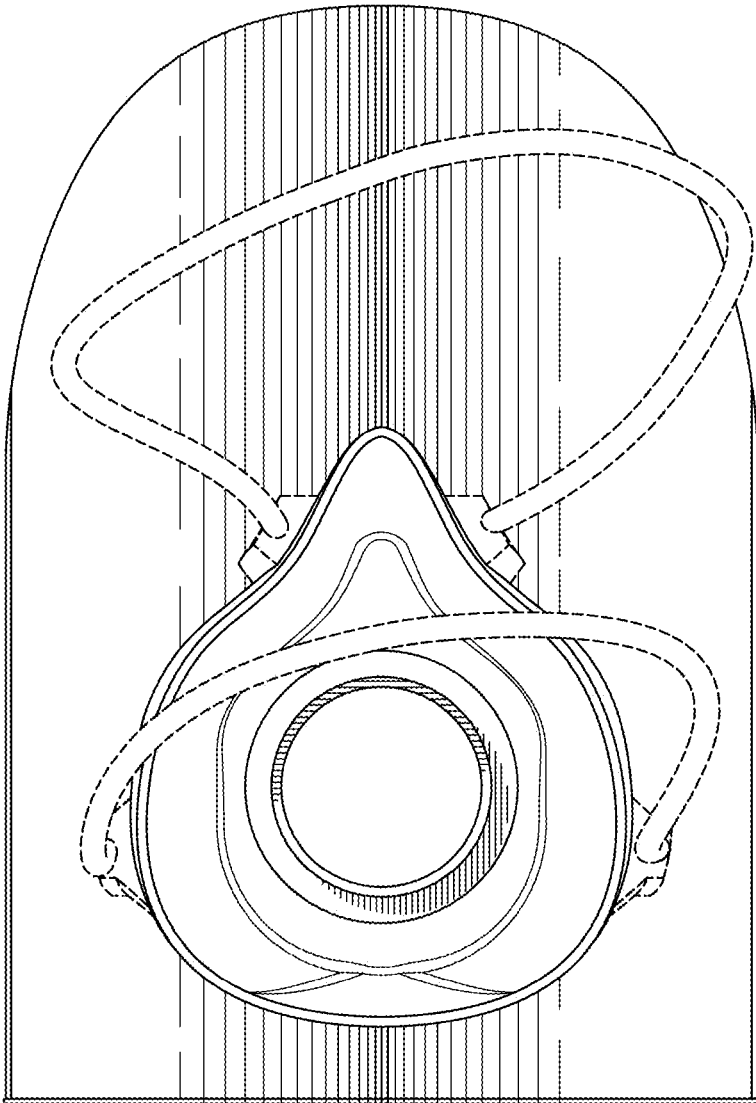


FIG. 6





**FIG. 7**

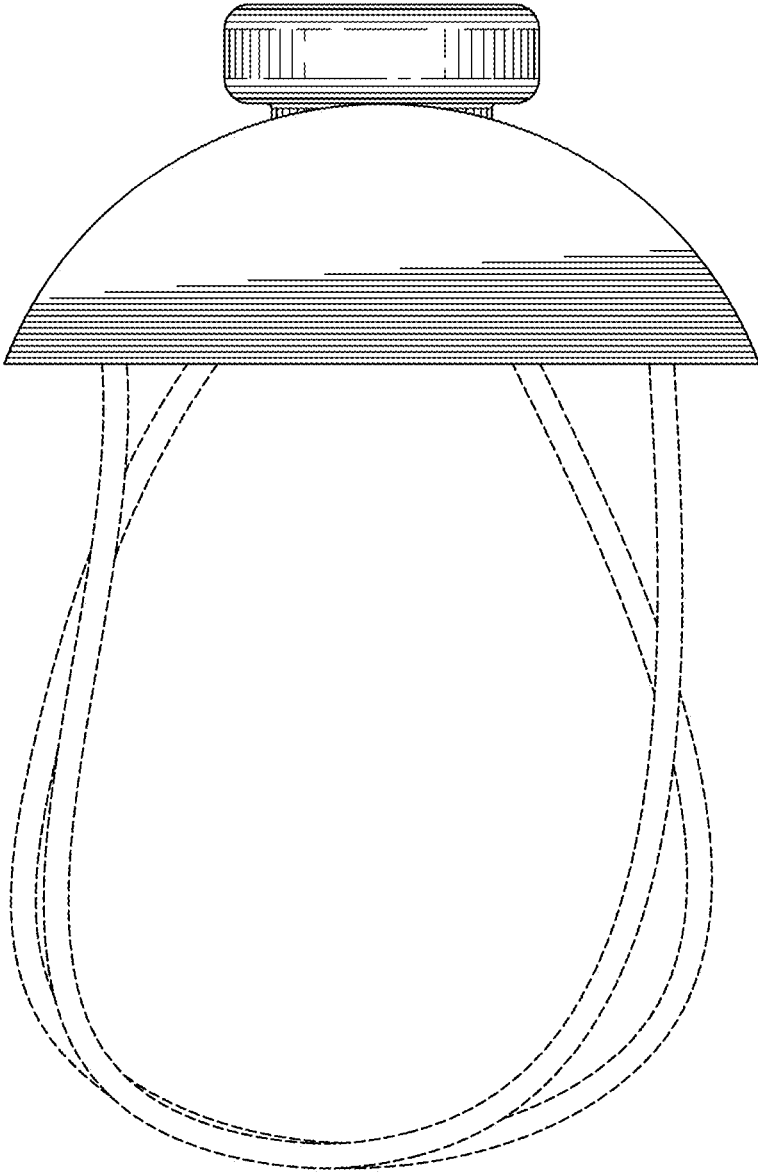


FIG. 8