



(12) **United States Design Patent**  
**Liu**

(10) **Patent No.:** **US D728,855 S**  
(45) **Date of Patent:** **\*\* May 5, 2015**

(54) **TOBACCO VAPORIZER**

(71) Applicant: **Shuigen Liu**, Guangdong (CN)

(72) Inventor: **Shuigen Liu**, Guangdong (CN)

(\*\*) Term: **14 Years**

(21) Appl. No.: **29/443,311**

(22) Filed: **Jan. 16, 2013**

(51) **LOC (10) Cl.** ..... **27-02**

(52) **U.S. Cl.**  
USPC ..... **D27/163**

(58) **Field of Classification Search**

CPC ..... B65D 85/1045; B65D 85/1036; B65D  
5/6691; B65D 85/10; A24F 13/14; A24F  
15/12  
USPC ..... D27/100, 101, 141, 144, 154, 156, 158,  
D27/160, 161, 162, 163, 165-169, 172, 175,  
D27/183, 184, 186, 187, 188, 189, 190, 19,  
D27/193, 195, 196; D14/137, 217, 251,  
D14/253, 432, 434; 431/129, 143, 153, 253,  
431/273; 206/121, 236, 242, 259, 261-270;  
131/179, 184.1, 191, 256, 273, 331,  
131/349, 354

See application file for complete search history.

(56) **References Cited**

U.S. PATENT DOCUMENTS

5,529,078 A \* 6/1996 Rehder et al. .... 131/175  
D371,633 S \* 7/1996 Chenard ..... D27/163

(Continued)

*Primary Examiner* — Barbara Fox

*Assistant Examiner* — Chelsea Sealey

(57) **CLAIM**

The ornamental design for a tobacco vaporizer, as shown and described.

**DESCRIPTION**

FIG. 1 is a front elevational view of a first embodiment of a tobacco vaporizer showing the new design;

FIG. 2 is a rear elevational view of the first embodiment of the tobacco vaporizer;

FIG. 3 is a top plan view of the first embodiment of the tobacco vaporizer;

FIG. 4 is a bottom plan view of the first embodiment of the tobacco vaporizer;

FIG. 5 is a left side elevational view of the first embodiment of the tobacco vaporizer;

FIG. 6 is a right side elevational view of the first embodiment of the tobacco vaporizer;

FIG. 7 is a first perspective view of the first embodiment of the tobacco vaporizer;

FIG. 8 is a second perspective view of the first embodiment of the tobacco vaporizer;

FIG. 9 is an enlarged view of part A on FIG. 5;

FIG. 10 is an enlarged view of part B on FIG. 3;

FIG. 11 is a first reference view of the first embodiment of the tobacco vaporizer, shown in a folded position.

FIG. 12 is a second reference view of the first embodiment of the tobacco vaporizer, shown in a folded position.

FIG. 13 is a front elevational view of a second embodiment of a tobacco vaporizer showing the new design;

FIG. 14 is a rear elevational view of the second embodiment of the tobacco vaporizer;

FIG. 15 is a top plan view of the second embodiment of the tobacco vaporizer;

FIG. 16 is a bottom plan view of the second embodiment of the tobacco vaporizer;

FIG. 17 is a left side elevational view of the second embodiment of the tobacco vaporizer;

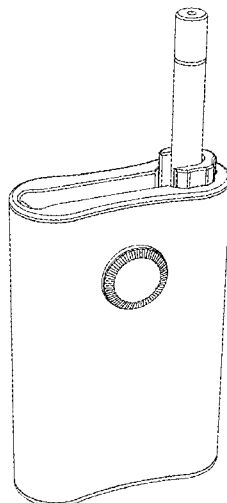
FIG. 18 is a right side elevational view of the second embodiment of the tobacco vaporizer;

FIG. 19 is a perspective view of the second embodiment of the tobacco vaporizer;

FIG. 20 is a first reference view of the second embodiment of the tobacco vaporizer, shown in a folded position; and,

FIG. 21 is a second reference view of the second embodiment of the tobacco vaporizer, shown in a folded position.

**1 Claim, 14 Drawing Sheets**



# US D728,855 S

Page 2

---

(56)

## References Cited

### U.S. PATENT DOCUMENTS

D430,147 S *	8/2000	Willkens et al. ....	D14/240	
D538,914 S *	3/2007	Nelson .....	D23/366	* cited by examiner
D547,440 S *	7/2007	Louet-Feisser .....	D24/110	
D649,708 S *	11/2011	Oneil .....	D27/163	
D690,002 S *	9/2013	Storey et al. ....	D24/110	
2009/0283103 A1 *	11/2009	Nielsen et al. ....	131/273	

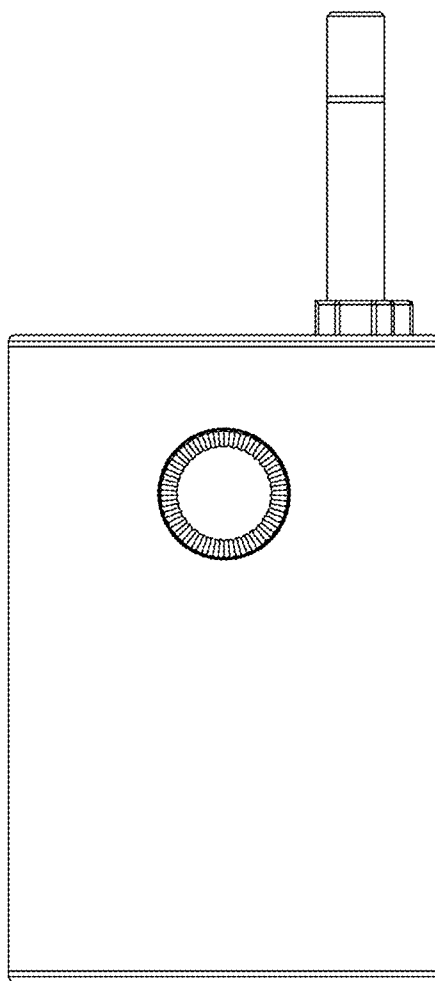


Fig.1

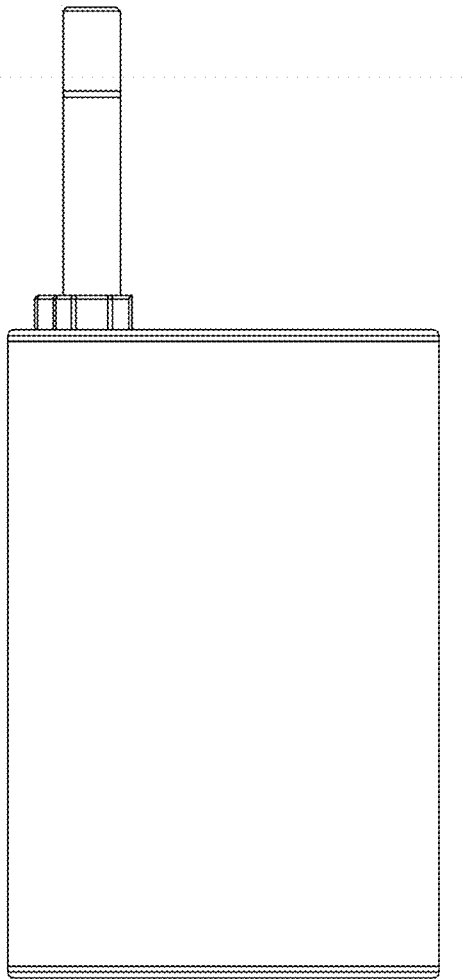


Fig.2

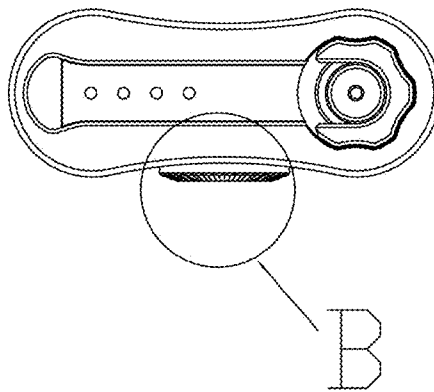


Fig.3

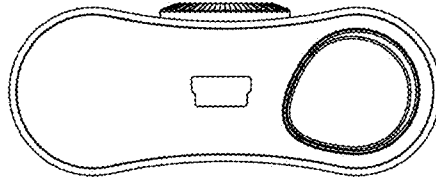


Fig.4

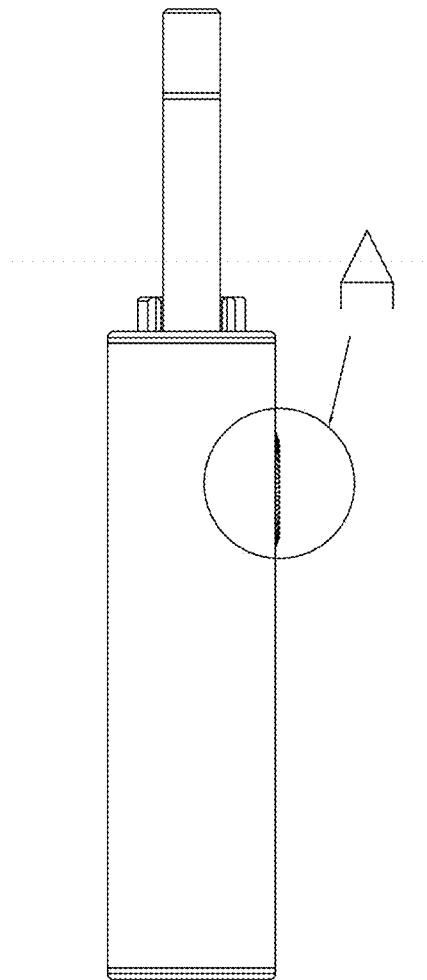


Fig.5



Fig.6

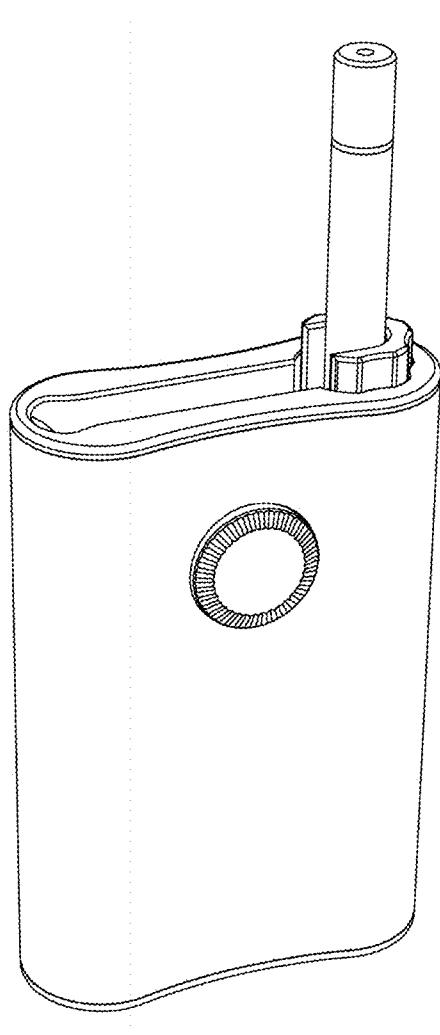


Fig.7

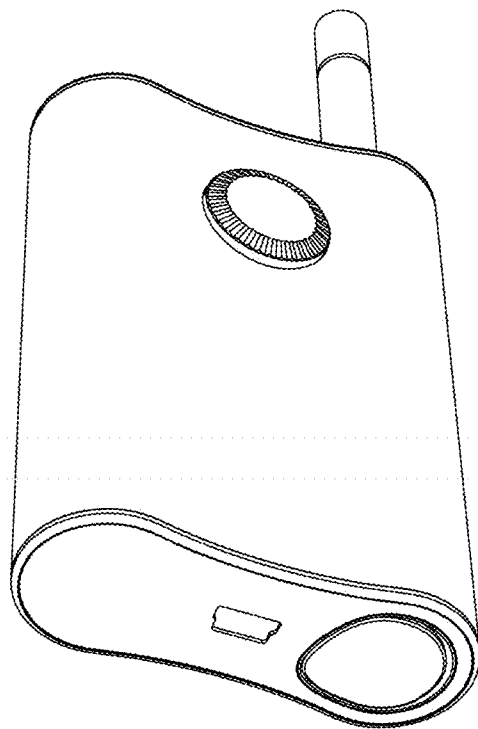


Fig.8

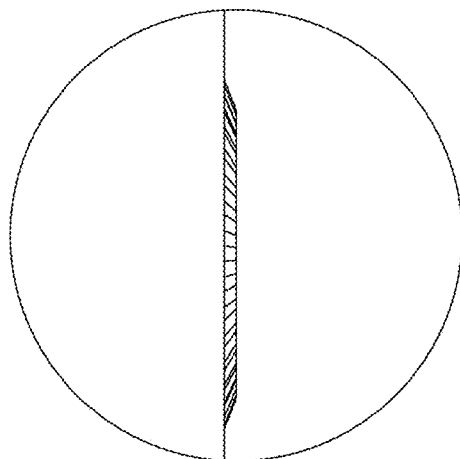


Fig.9



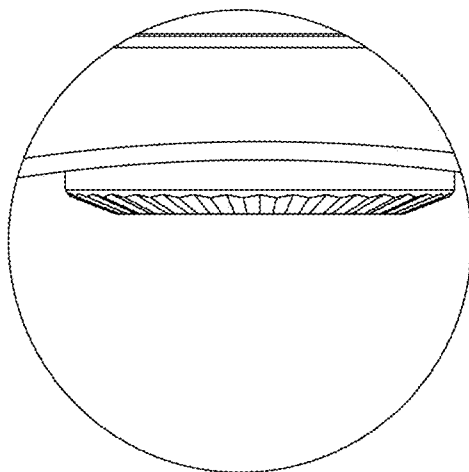


Fig.10

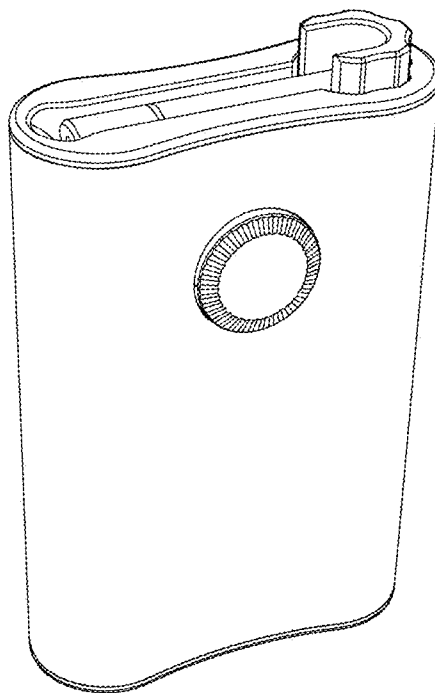


Fig.11

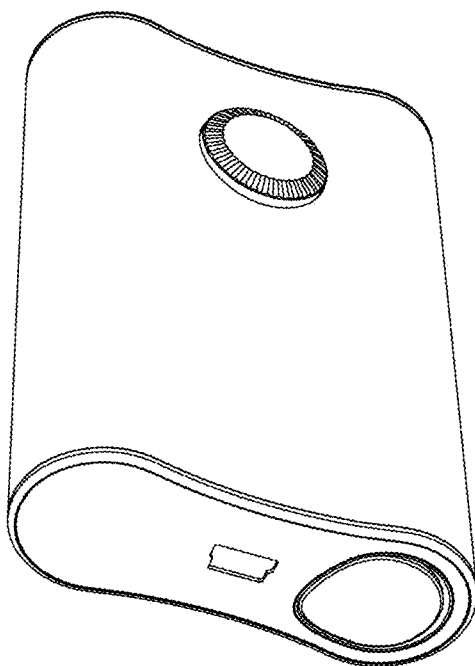


Fig.12

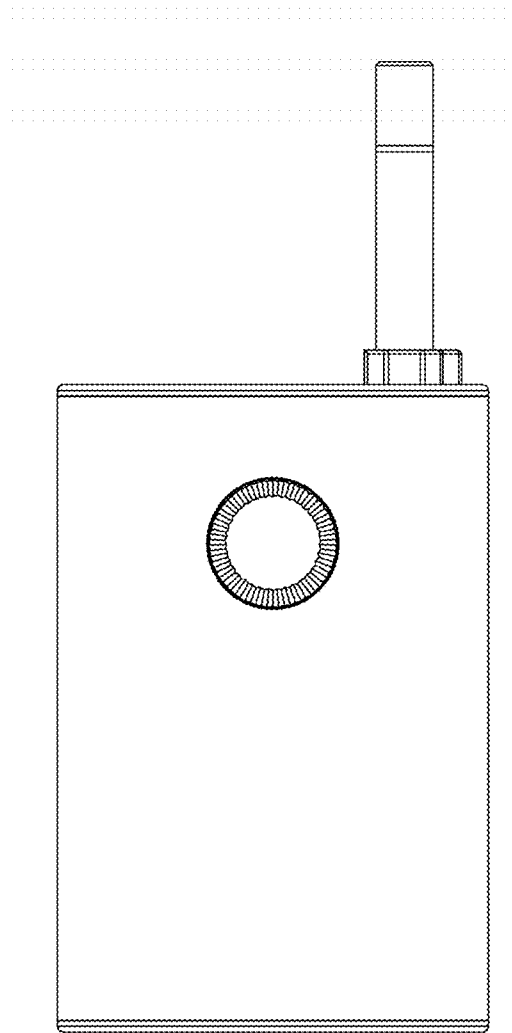


Fig.13

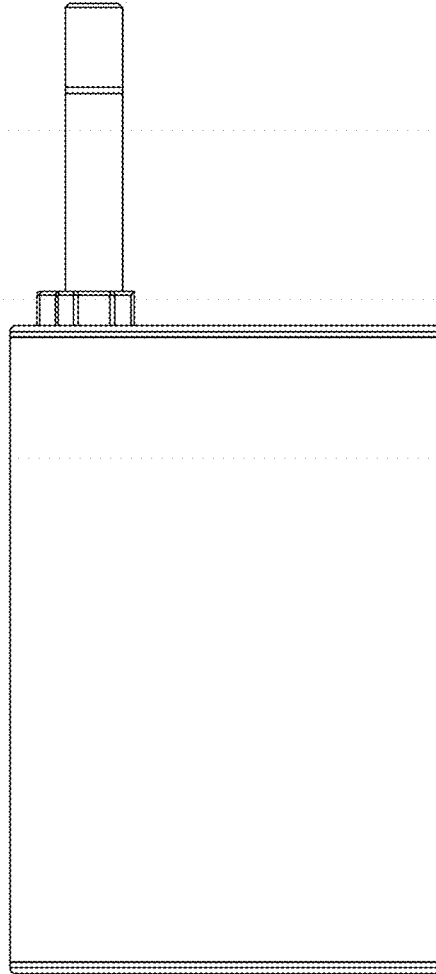


Fig.14

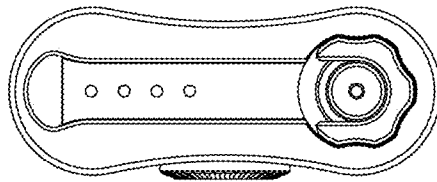


Fig.15

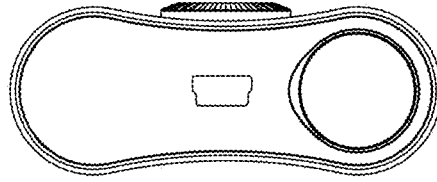


Fig.16

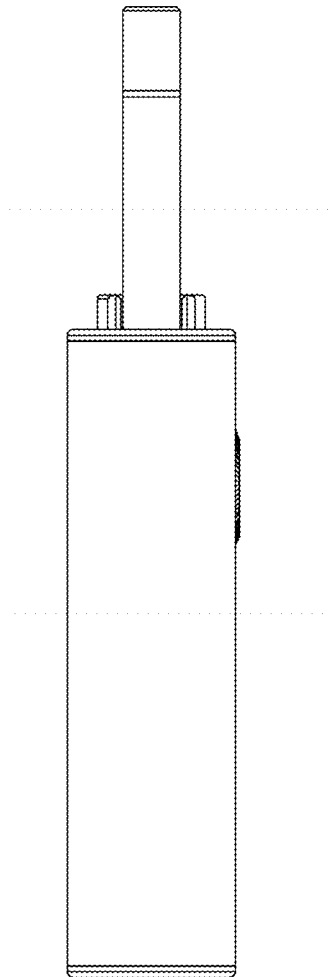


Fig.17



Fig.18

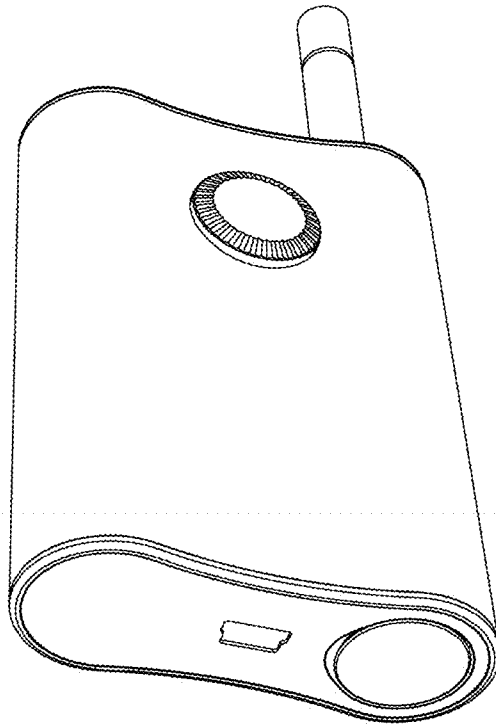


Fig.19

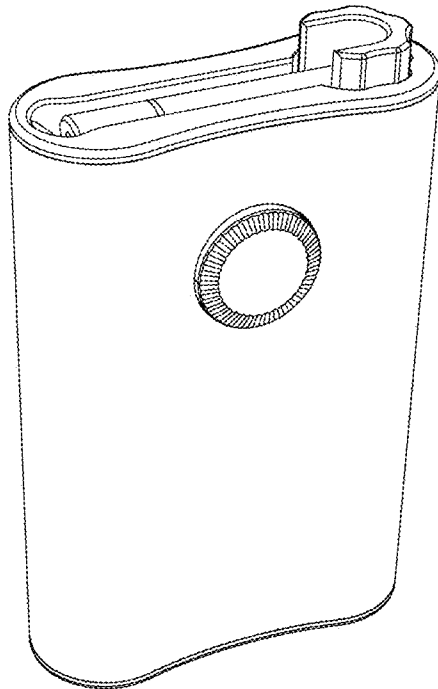


Fig.20

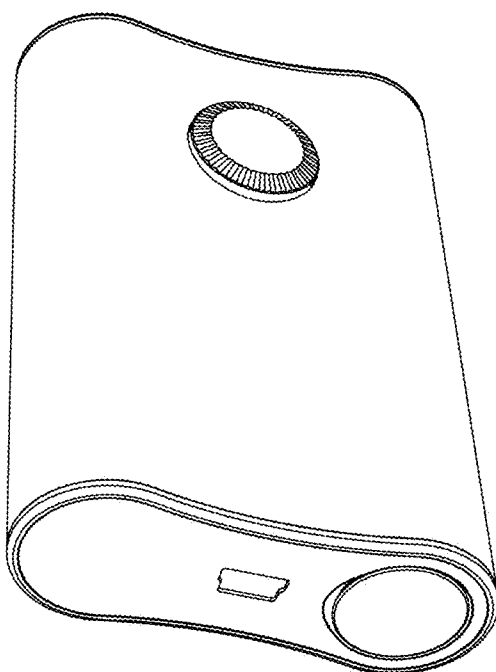


Fig.21