

(19) World Intellectual Property Organization  
International Bureau



(43) International Publication Date  
21 April 2011 (21.04.2011)

PCT

(10) International Publication Number  
**WO 2011/046691 A3**

- (51) **International Patent Classification:**  
B60K 17/24 (2006.01) B60K 17/22 (2006.01)  
B60B 35/00 (2006.01)
- (21) **International Application Number:**  
PCT/US2010/048338
- (22) **International Filing Date:**  
10 September 2010 (10.09.2010)
- (25) **Filing Language:** English
- (26) **Publication Language:** English
- (30) **Priority Data:**  
12/577,346 12 October 2009 (12.10.2009) US
- (71) **Applicant (for all designated States except US):**  
CATERPILLAR INC. [US/US]; 100 N.E. Adams Street,  
Peoria, IL 61629-9510 (US).
- (72) **Inventors; and**
- (75) **Inventors/Applicants (for US only):** OAKLEY, Christo-  
pher, G. [US/US]; 2651 Twin Oaks Ct., #64, Decatur, IL  
62526-5836 (US). WHITE, David, M. [US/US]; 3445 N.  
Christine Dr., Decatur, IL 62526-2381 (US). KABRICK,  
Keith, A. [US/US]; 3120 Kensington Dr., Springfield, IL  
62702-3362 (US).
- (74) **Agents:** TROUSDALE, Jonathan, V. et al.; 100 N. E.  
Adams Street, Peoria, IL 61629-9510 (US).

(81) **Designated States** (unless otherwise indicated, for every kind of national protection available): AE, AG, AL, AM, AO, AT, AU, AZ, BA, BB, BG, BH, BR, BW, BY, BZ, CA, CH, CL, CN, CO, CR, CU, CZ, DE, DK, DM, DO, DZ, EC, EE, EG, ES, FI, GB, GD, GE, GH, GM, GT, HN, HR, HU, ID, IL, IN, IS, JP, KE, KG, KM, KN, KP, KR, KZ, LA, LC, LK, LR, LS, LT, LU, LY, MA, MD, ME, MG, MK, MN, MW, MX, MY, MZ, NA, NG, NI, NO, NZ, OM, PE, PG, PH, PL, PT, RO, RS, RU, SC, SD, SE, SG, SK, SL, SM, ST, SV, SY, TH, TJ, TM, TN, TR, TT, TZ, UA, UG, US, UZ, VC, VN, ZA, ZM, ZW.

(84) **Designated States** (unless otherwise indicated, for every kind of regional protection available): ARIPO (BW, GH, GM, KE, LR, LS, MW, MZ, NA, SD, SL, SZ, TZ, UG, ZM, ZW), Eurasian (AM, AZ, BY, KG, KZ, MD, RU, TJ, TM), European (AL, AT, BE, BG, CH, CY, CZ, DE, DK, EE, ES, FI, FR, GB, GR, HR, HU, IE, IS, IT, LT, LU, LV, MC, MK, MT, NL, NO, PL, PT, RO, SE, SI, SK, SM, TR), OAPI (BF, BJ, CF, CG, CI, CM, GA, GN, GQ, GW, ML, MR, NE, SN, TD, TG).

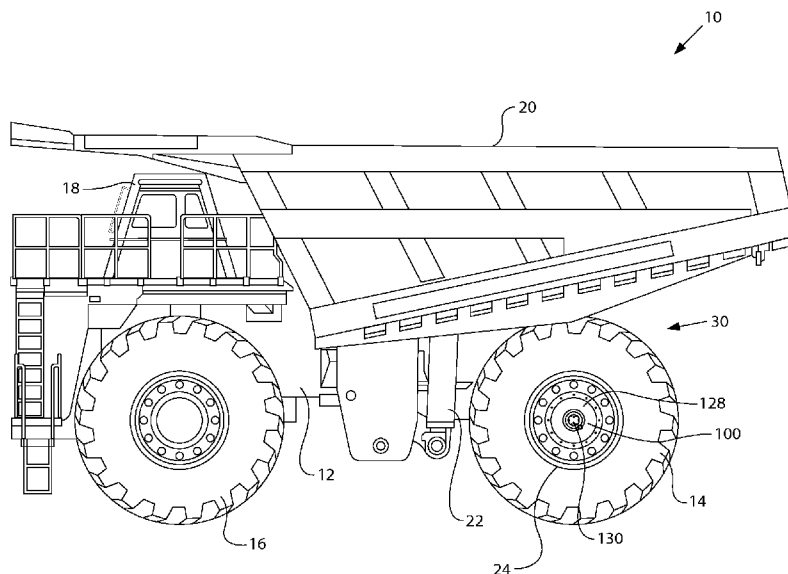
**Published:**

- with international search report (Art. 21(3))
- before the expiration of the time limit for amending the claims and to be republished in the event of receipt of amendments (Rule 48.2(h))

[Continued on next page]

(54) **Title:** THRUST PLATE FOR ENGAGING A BEARING OF A DRIVE ASSEMBLY

**FIG. 1**



(57) **Abstract:** A thrust plate for use in a drive assembly between an end of an axle shaft and a bearing, the bearing retained within a housing of a rotatable final drive component, the thrust plate having a first end that defines an axle engaging wear surface and a second end that includes an extension configured for fitted engagement with the bearing, the thrust plate further including a central axis of rotation, where the axle engaging wear surface is disposed transverse to the central axis. A thrust plate and bearing assembly for a final drive cover plate includes the thrust plate in combination with a spherical thrust bearing, these components also being provided in a rebuild kit.



WO 2011/046691 A3

**(88)** Date of publication of the international search report:  
18 August 2011

## INTERNATIONAL SEARCH REPORT

International application No.  
**PCT/US2010/048338****A. CLASSIFICATION OF SUBJECT MATTER****B60K 17/24(2006.01)i, B60B 35/00(2006.01)i, B60K 17/22(2006.01)i**

According to International Patent Classification (IPC) or to both national classification and IPC

**B. FIELDS SEARCHED**

Minimum documentation searched (classification system followed by classification symbols)

B60K 17/24; B60B 35/18; B60B 37/10; F16N 7/18; F16H 1/36; B60B 27/00; F16H 1/28

Documentation searched other than minimum documentation to the extent that such documents are included in the fields searched

Korean utility models and applications for utility models  
Japanese utility models and applications for utility models

Electronic data base consulted during the international search (name of data base and, where practicable, search terms used)

eKOMPASS(KIPO internal) &amp; Keywords: wheel assembly, thrust plate, bearing, axle

**C. DOCUMENTS CONSIDERED TO BE RELEVANT**

Category*	Citation of document, with indication, where appropriate, of the relevant passages	Relevant to claim No.
A	US 04873894 A (BANNET W. AVERY; WILLIAM K. ENGEL) 17 October 1989 See column 3, line 61 - column 96, line 27; claims 1-6	1-22
A	EP 0002569 A1 (GKN GROUP SERVICES LIMITED) 27 June 1979 See page 3, line 4 - page 5, line 23; claims 1-3	1-22
A	US 06149244 A (MARK WAGNER) 21 November 2000 See column 4, line 31 - column 6, line 34; claims 12-21	1-22
A	US 05190355 A (JAMES R. HOBBIE; RONALD L. HUGHES) 02 March 1993 See column 1, line 67 - column 2, line 64; claims 1-8	1-22

 Further documents are listed in the continuation of Box C. See patent family annex.

\* Special categories of cited documents:

"A" document defining the general state of the art which is not considered to be of particular relevance

"E" earlier application or patent but published on or after the international filing date

"L" document which may throw doubts on priority claim(s) or which is cited to establish the publication date of citation or other special reason (as specified)

"O" document referring to an oral disclosure, use, exhibition or other means

"P" document published prior to the international filing date but later than the priority date claimed

"T" later document published after the international filing date or priority date and not in conflict with the application but cited to understand the principle or theory underlying the invention

"X" document of particular relevance; the claimed invention cannot be considered novel or cannot be considered to involve an inventive step when the document is taken alone

"Y" document of particular relevance; the claimed invention cannot be considered to involve an inventive step when the document is combined with one or more other such documents, such combination being obvious to a person skilled in the art

"&amp;" document member of the same patent family

Date of the actual completion of the international search

23 JUNE 2011 (23.06.2011)

Date of mailing of the international search report

**23 JUNE 2011 (23.06.2011)**

Name and mailing address of the ISA/KR

Korean Intellectual Property Office  
Government Complex-Daejeon, 189 Cheongsu-ro,  
Seo-gu, Daejeon 302-701, Republic of Korea

Facsimile No. 82-42-472-7140

Authorized officer

CHOI Eun Serk

Telephone No. 82-42-481-5860



**INTERNATIONAL SEARCH REPORT**

Information on patent family members

International application No.

**PCT/US2010/048338**

Patent document cited in search report	Publication date	Patent family member(s)	Publication date
US 04873894 A	17. 10. 1989	EP 0440613 A1	14. 08. 1991
		EP 0440613 A4	20. 05. 1992
		EP 0440613 B1	22. 06. 1994
		JP 02-833660 B2	02. 10. 1998
		WO 90-05253 A1	17. 05. 1990
EP 0002569 A1	27. 06. 1979	AU 4188178 A	31. 05. 1979
		BR 7807685 A	31. 07. 1979
		DK507378A	26. 05. 1979
		ES 475389 A1	01. 02. 1980
		IT 7869699 D0	24. 11. 1978
		JP 54-080904 A	28. 06. 1979
		ZA7806581A	31. 10. 1979
US 06149244 A	21. 11. 2000	None	
US 05190355 A	02. 03. 1993	EP 0521350 A2	07. 01. 1993
		EP 0521350 A3	18. 08. 1993
		EP 0521350 B1	28. 08. 1996
		JP 05-185852 A	27. 07. 1993
		KR 10-0190556 B1	01. 06. 1999