



US00D768094S

(12) **United States Design Patent** (10) **Patent No.:** **US D768,094 S**  
**Chen et al.** (45) **Date of Patent:** **\*\* Oct. 4, 2016**

(54) **LIGHT-EMITTING DIODE UNIT** D686,581 S \* 7/2013 Lim ..... D13/180  
 D687,396 S \* 8/2013 Chen ..... D13/180  
 8,704,249 B2 \* 4/2014 Kamiya ..... H01L 33/38  
 257/91

(71) Applicant: **EPISTAR CORPORATION**, Hsinchu (TW) D721,663 S \* 1/2015 Chen ..... D13/180  
 D725,051 S \* 3/2015 Kao ..... D13/180  
 D725,052 S \* 3/2015 Chen ..... D13/180  
 D733,079 S \* 6/2015 Chen ..... D13/180  
 D745,472 S \* 12/2015 Feng ..... D13/180  
 D745,473 S \* 12/2015 Feng ..... D13/180  
 D745,474 S \* 12/2015 Feng ..... D13/180  
 D745,475 S \* 12/2015 Feng ..... D13/180  
 D752,527 S \* 3/2016 Chen ..... D13/180  
 D754,619 S \* 4/2016 Feng ..... D13/180  
 D755,135 S \* 5/2016 Feng ..... D13/180  
 2006/0160409 A1 \* 7/2006 Shimizu ..... F21K 9/13  
 439/490

(72) Inventors: **Chao Hsing Chen**, Hsinchu (TW);  
**Tsung Hsun Chiang**, Hsinchu (TW);  
**Chien Chih Liao**, Hsinchu (TW);  
**Hung Chuang**, Hsinchu (TW); **Min Yen Tsai**, Hsinchu (TW); **Bo Jiun Hu**, Hsinchu (TW); **Tzu Yao Tseng**, Hsinchu (TW); **Kuan Yi Lee**, Hsinchu (TW); **Jia Kuen Wang**, Hsinchu (TW)

(73) Assignee: **EPISTAR CORPORATION**, Hsinchu (TW) (Continued)

(\*\*) Term: **14 Years**

FOREIGN PATENT DOCUMENTS

(21) Appl. No.: **29/524,671**

KR 30-2006-0045587 11/2006

(22) Filed: **Apr. 22, 2015**

*Primary Examiner* — Selina Sikder  
(74) *Attorney, Agent, or Firm* — Patterson + Sheridan, LLP

(30) **Foreign Application Priority Data**

Oct. 30, 2014 (TW) ..... 103306322

(51) **LOC (10) Cl.** ..... **13-03**

(52) **U.S. Cl.**

USPC ..... **D13/180**

(58) **Field of Classification Search**

USPC ..... D13/180; D26/1  
CPC . H01L 25/167; H01L 25/0753; H01L 27/15;  
H01L 27/156; H01L 31/02; H01L 33/00;  
H01L 33/04; H01L 33/08; H01L 33/10;  
H01L 33/20; H01L 33/38; H01L 33/42;  
H01L 33/48; H01L 33/483; H01L 33/486  
See application file for complete search history.

(56) **References Cited**

U.S. PATENT DOCUMENTS

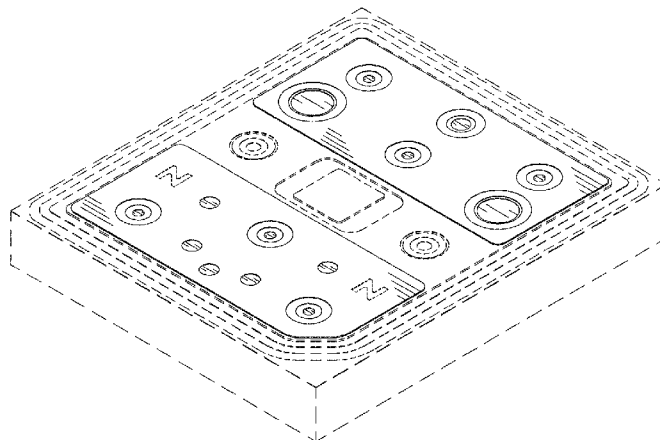
7,015,512 B2 \* 3/2006 Park ..... H01L 27/156  
257/773  
D681,566 S \* 5/2013 Chen ..... D13/180

(57) **CLAIM**  
The ornamental design for a light-emitting diode unit, as shown and described.

**DESCRIPTION**

FIG. 1 is a perspective view of a light-emitting diode unit showing our new design;  
FIG. 2 is another perspective view thereof;  
FIG. 3 is a front elevational view thereof;  
FIG. 4 is a rear elevational view thereof;  
FIG. 5 is a left side view thereof;  
FIG. 6 is a right side view thereof;  
FIG. 7 is a top plan view thereof; and,  
FIG. 8 is a bottom plan view thereof.  
The broken line showing is for the purpose of illustrating environmental structure only and forms no part of the claimed design.

**1 Claim, 6 Drawing Sheets**





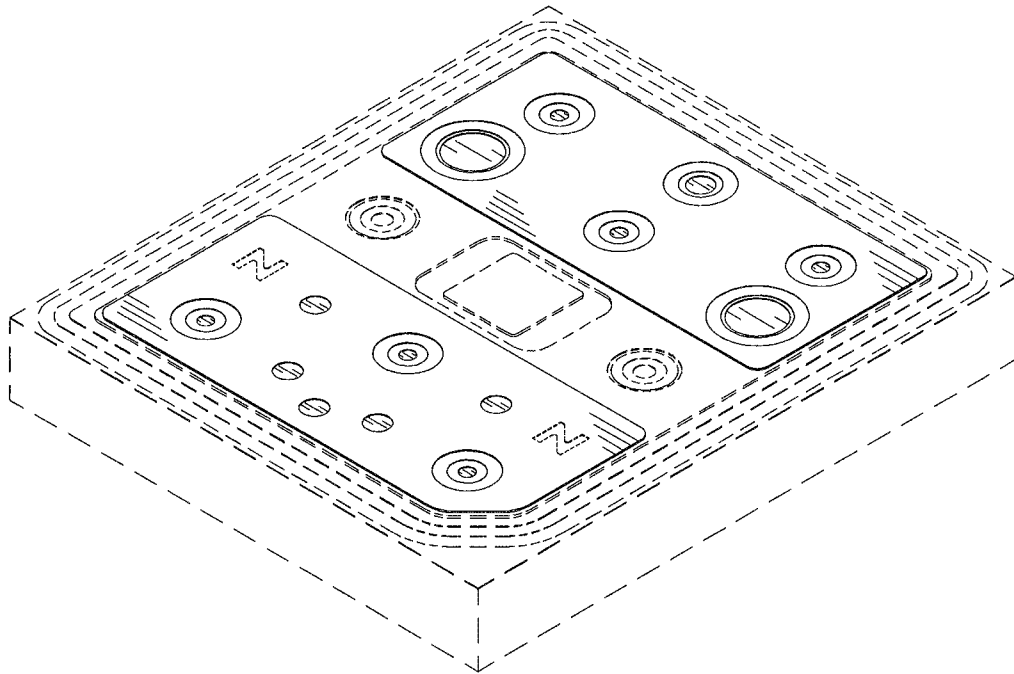


FIG. 1

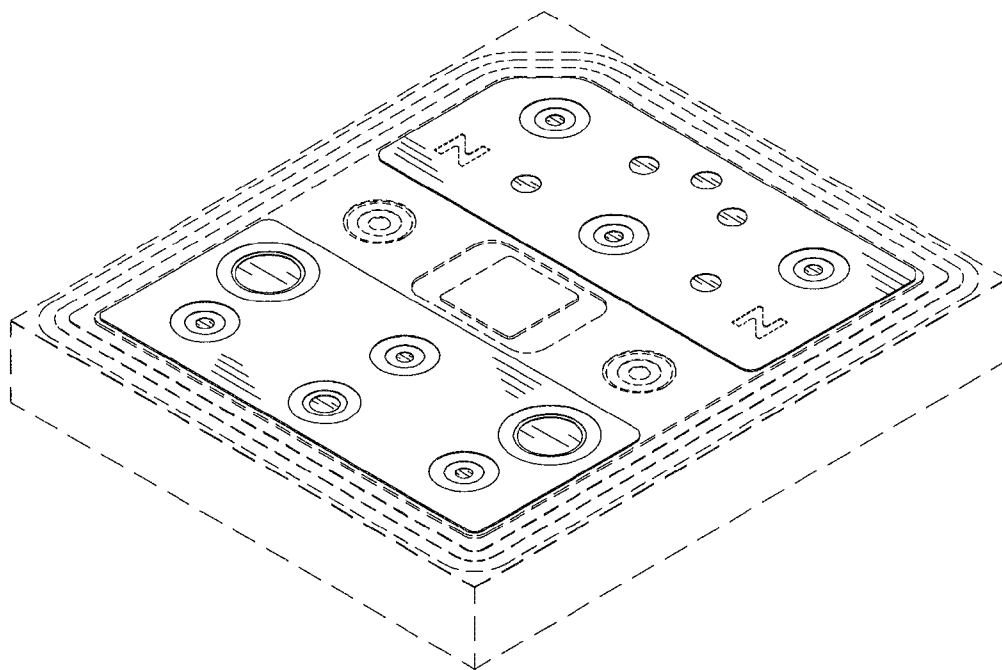


FIG. 2

REPLACEMENT SHEET

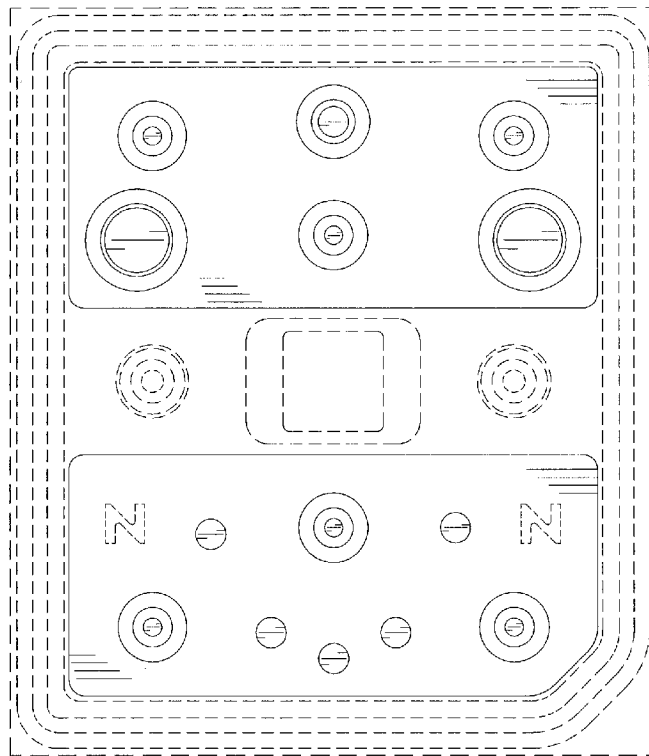


FIG. 3

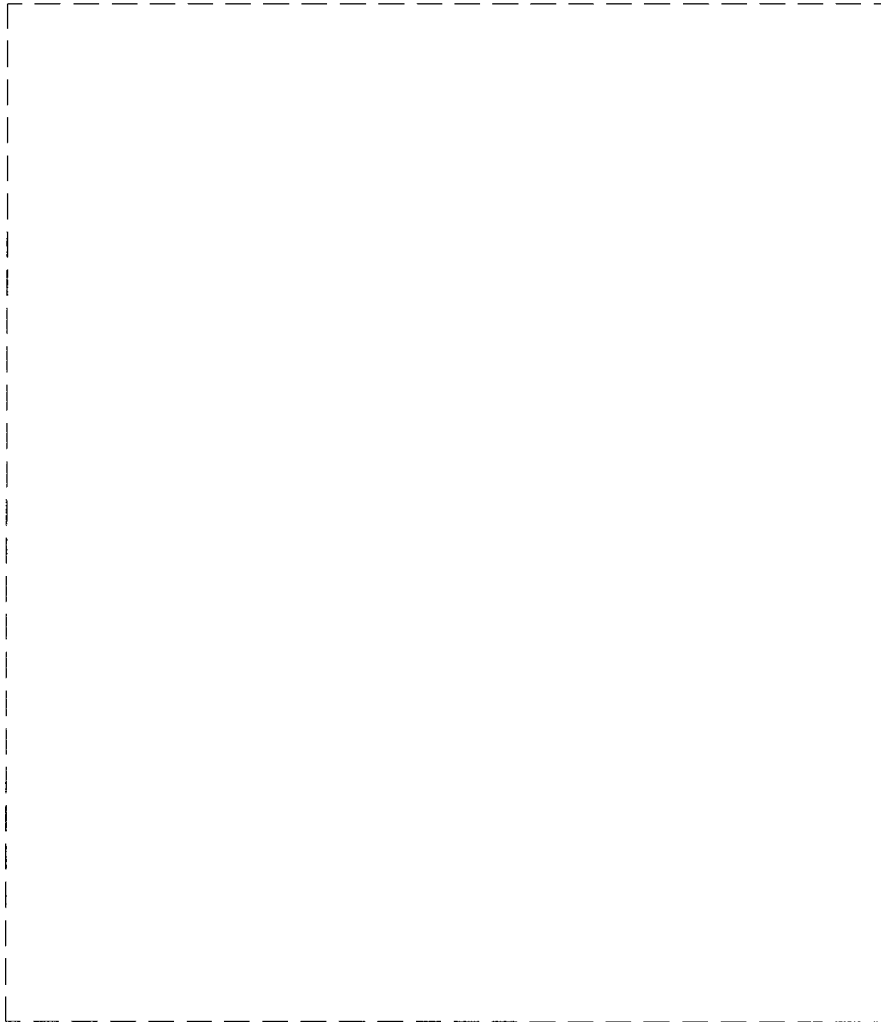


FIG. 4

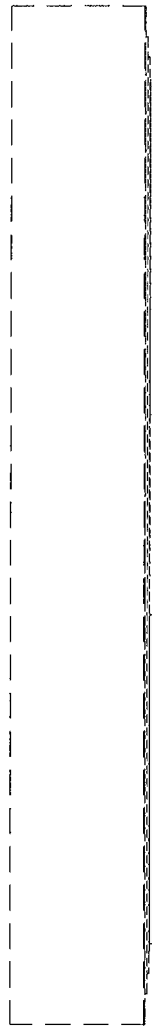


FIG. 5

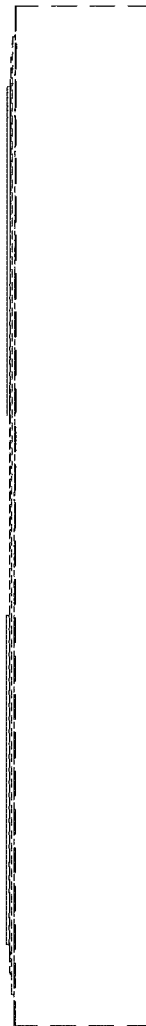


FIG. 6



FIG. 7

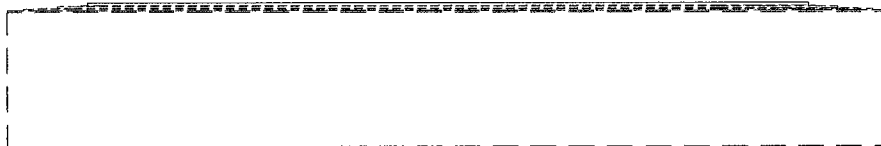


FIG. 8