



US00D436613S

(12) **United States Design Patent**
Chao

(10) **Patent No.:** **US D436,613 S**

(45) **Date of Patent:** **** Jan. 23, 2001**

(54) **EYEGLASSES**

(76) **Inventor:** **George Wen-Hsi Chao**, 1F #45 Chung Wen Street, Chiayi (TW)

(**) **Term:** **14 Years**

(21) **Appl. No.:** **29/115,263**

(22) **Filed:** **Dec. 9, 1999**

(51) **LOC (7) Cl.** **16-06**

(52) **U.S. Cl.** **D16/315**

(58) **Field of Search** D16/101, 300-330, D16/335-337, 341; D29/109, 110; 351/41, 44, 51, 52, 57-58, 111, 123, 156-158

(56) **References Cited**

U.S. PATENT DOCUMENTS

- D. 199,934 * 12/1964 Blair D16/315
- D. 209,016 * 10/1967 Weissman D16/315
- D. 327,082 6/1992 MacWilliamson D16/102
- D. 377,659 * 1/1997 Cheng D16/315

- D. 404,053 * 1/1999 Hsieh D16/315
- D. 418,857 * 1/2000 Paulsen et al. D16/335

* cited by examiner

Primary Examiner—Raphael Barkai

(74) *Attorney, Agent, or Firm*—Finley & Berg, L.L.P.

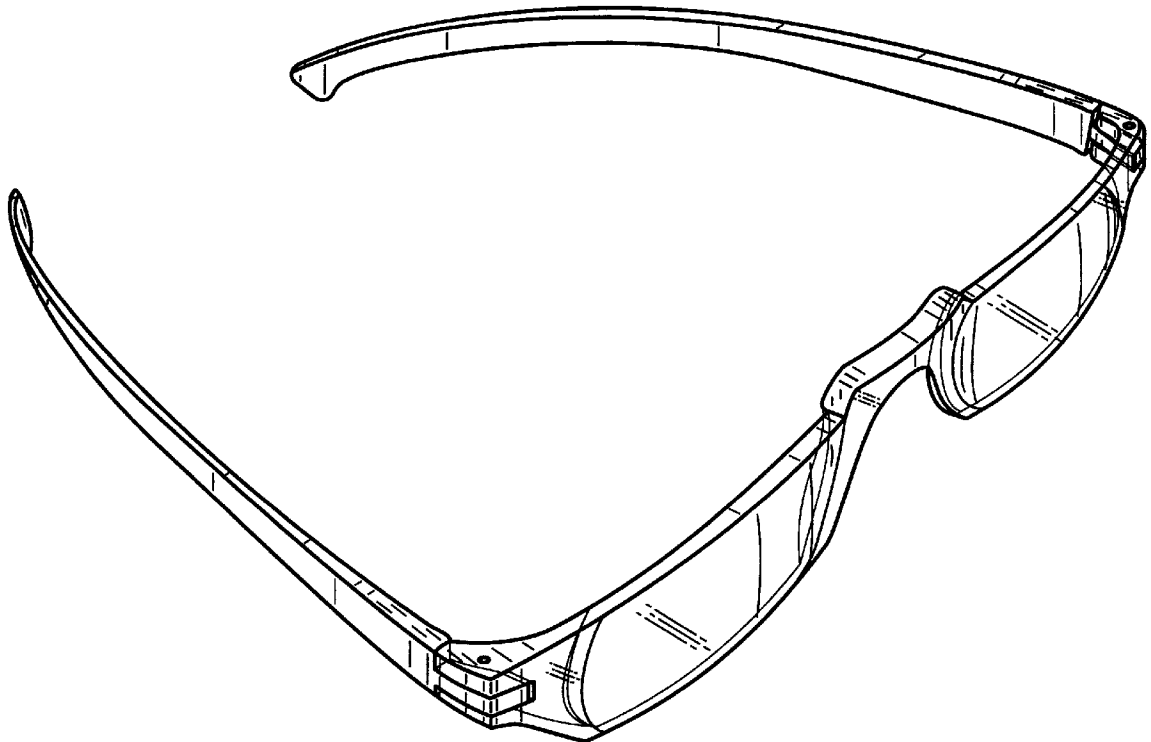
(57) **CLAIM**

The ornamental design for eyeglasses, as shown and described.

DESCRIPTION

FIG. 1 is a front perspective view of eyeglasses showing my new design;
 FIG. 2 is a rear perspective view thereof;
 FIG. 3 is a front elevational view thereof;
 FIG. 4 is a right side elevational view thereof, the side opposite being a mirror image;
 FIG. 5 is a rear elevational view thereof;
 FIG. 6 is a top plan view thereof; and,
 FIG. 7 is a bottom plan view thereof.

1 Claim, 4 Drawing Sheets



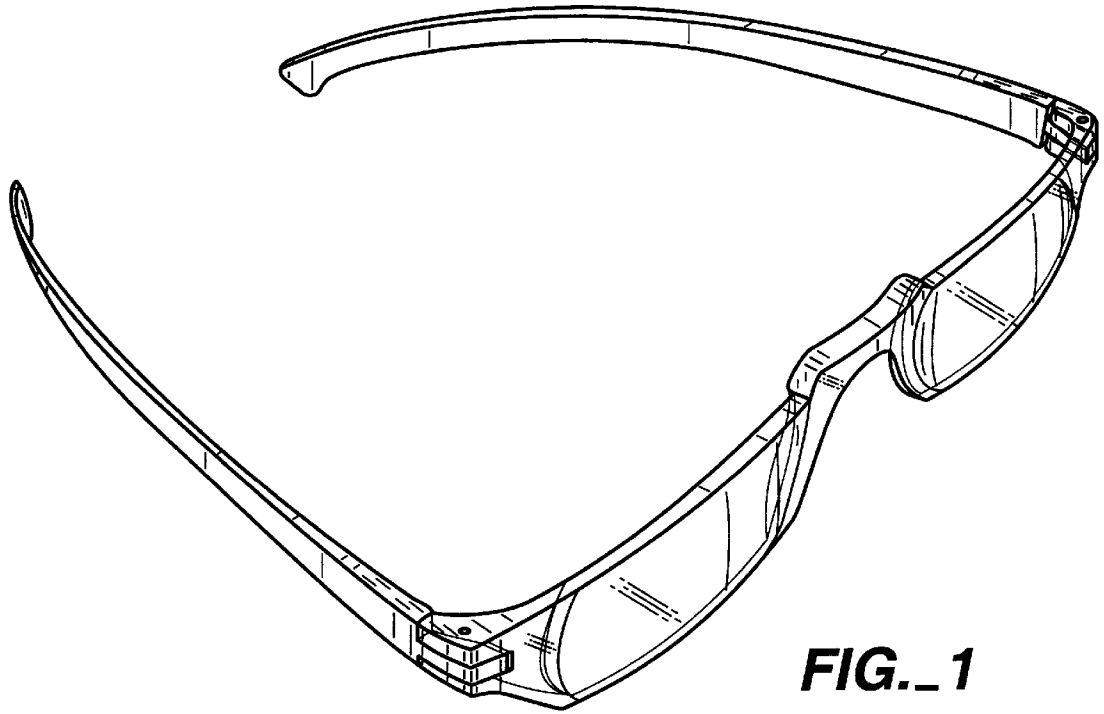


FIG._1

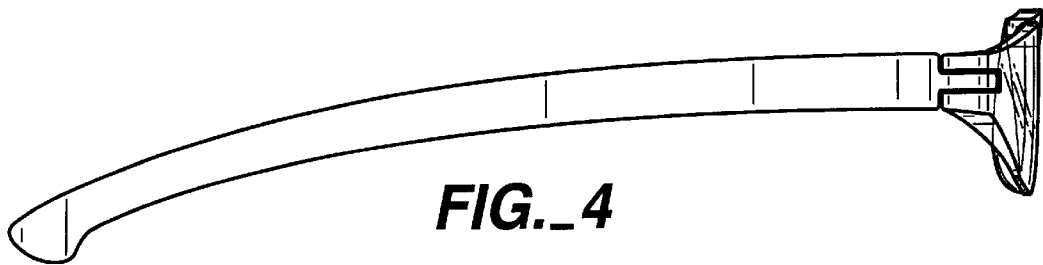


FIG._4

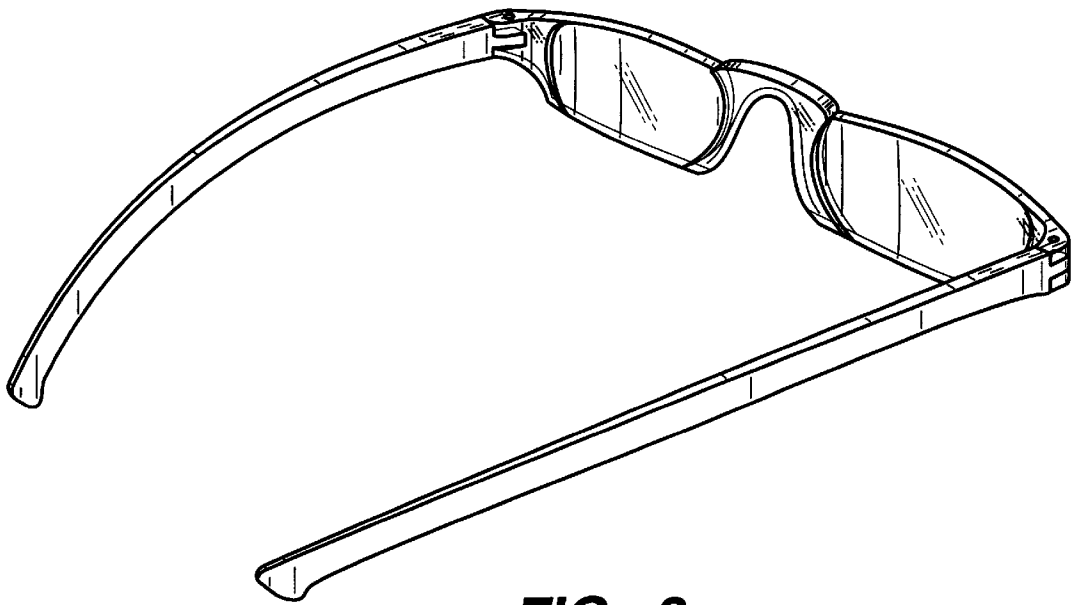


FIG. 2

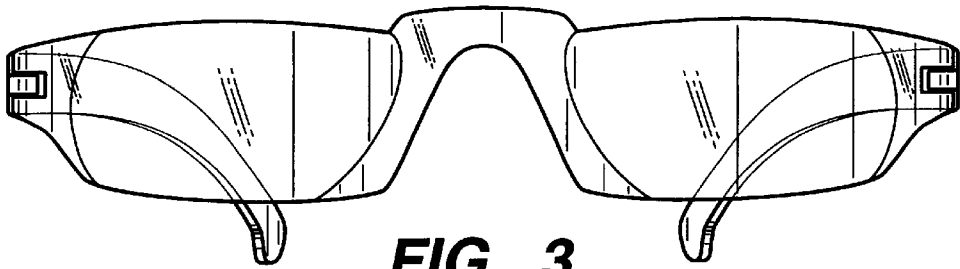


FIG._3

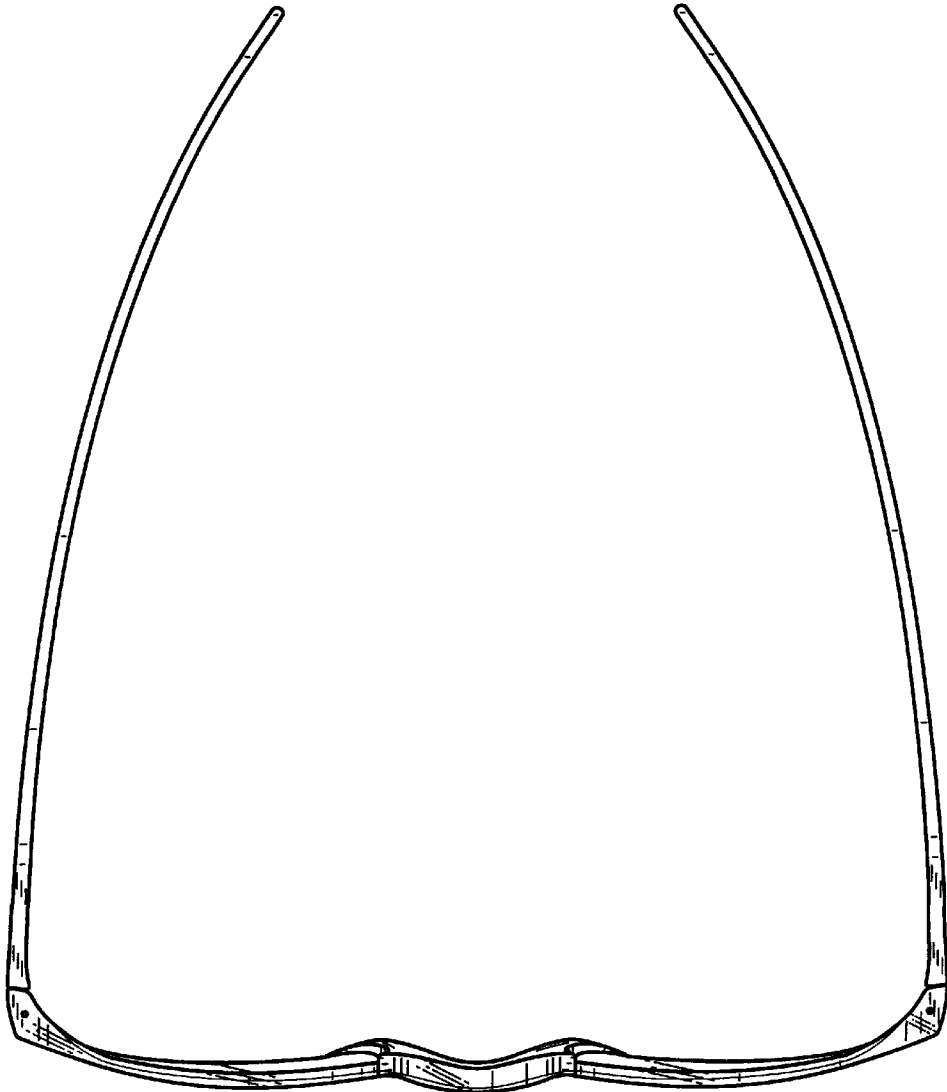


FIG._6

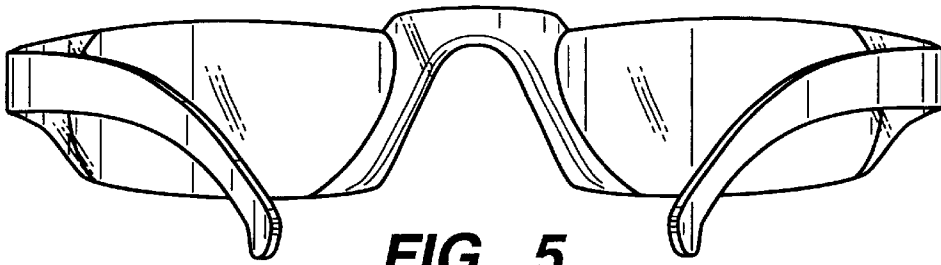


FIG._5

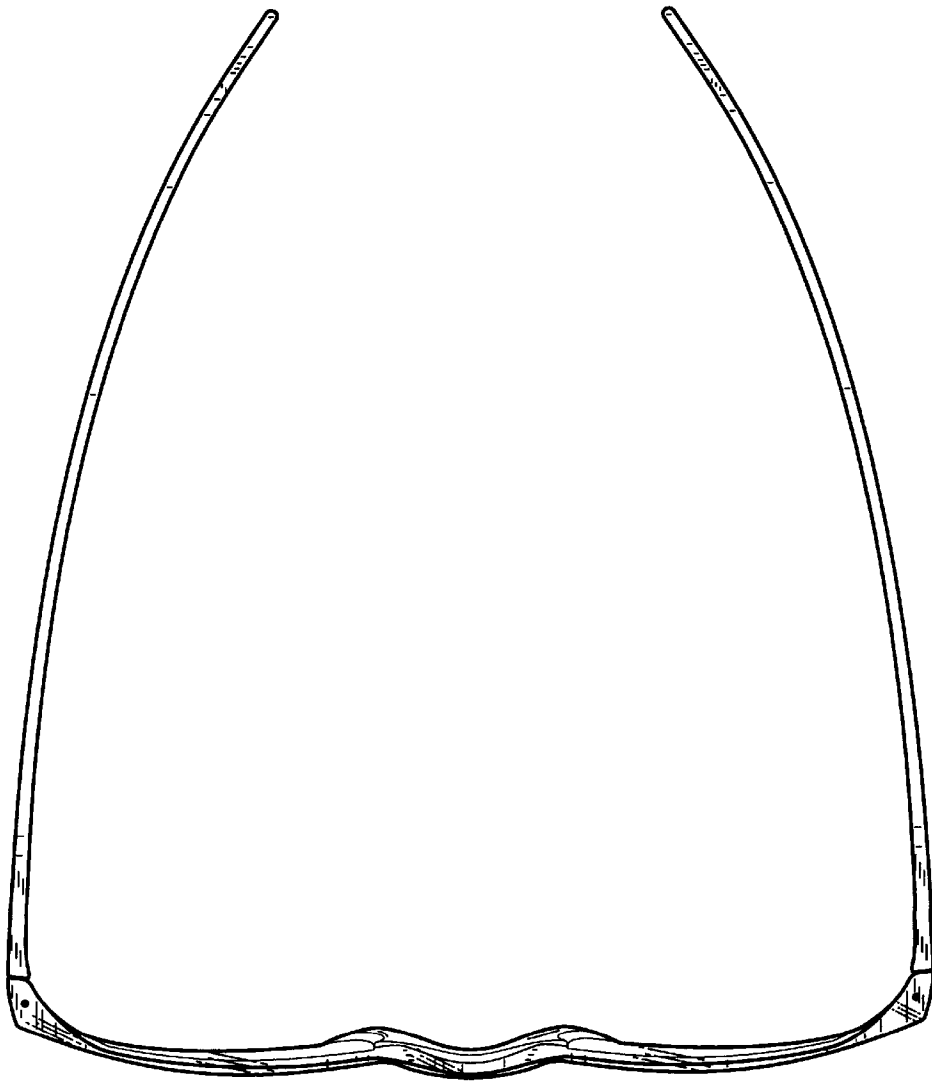


FIG._7