



US00D419647S

United States Patent [19]
Warshawsky

[11] **Patent Number: Des. 419,647**
[45] **Date of Patent: ** Jan. 25, 2000**

[54] **FAUCET LEVER HANDLE**

D. 365,384 12/1995 Robbins D23/252
D. 371,826 7/1996 Robbins D23/252
D. 378,231 2/1997 Dubin D23/252

[75] Inventor: **Jerome Warshawsky**, Hewlett Harbor, N.Y.

Primary Examiner—Louis S. Zarfaz
Assistant Examiner—Eric Watterson
Attorney, Agent, or Firm—Alfred M. Walker

[73] Assignee: **I.W. Industries, Inc.**, Melville, N.Y.

[**] Term: **14 Years**

[57] **CLAIM**

[21] Appl. No.: **29/089,583**

The ornamental design for a faucet lever handle, as shown and described.

[22] Filed: **Jun. 18, 1998**

[51] **LOC (7) Cl.** **23-01**

[52] **U.S. Cl.** **D23/252**

[58] **Field of Search** D23/238-243,
D23/250-257; 4/675-678; 137/801; D8/300-308;
16/110 R-121

DESCRIPTION

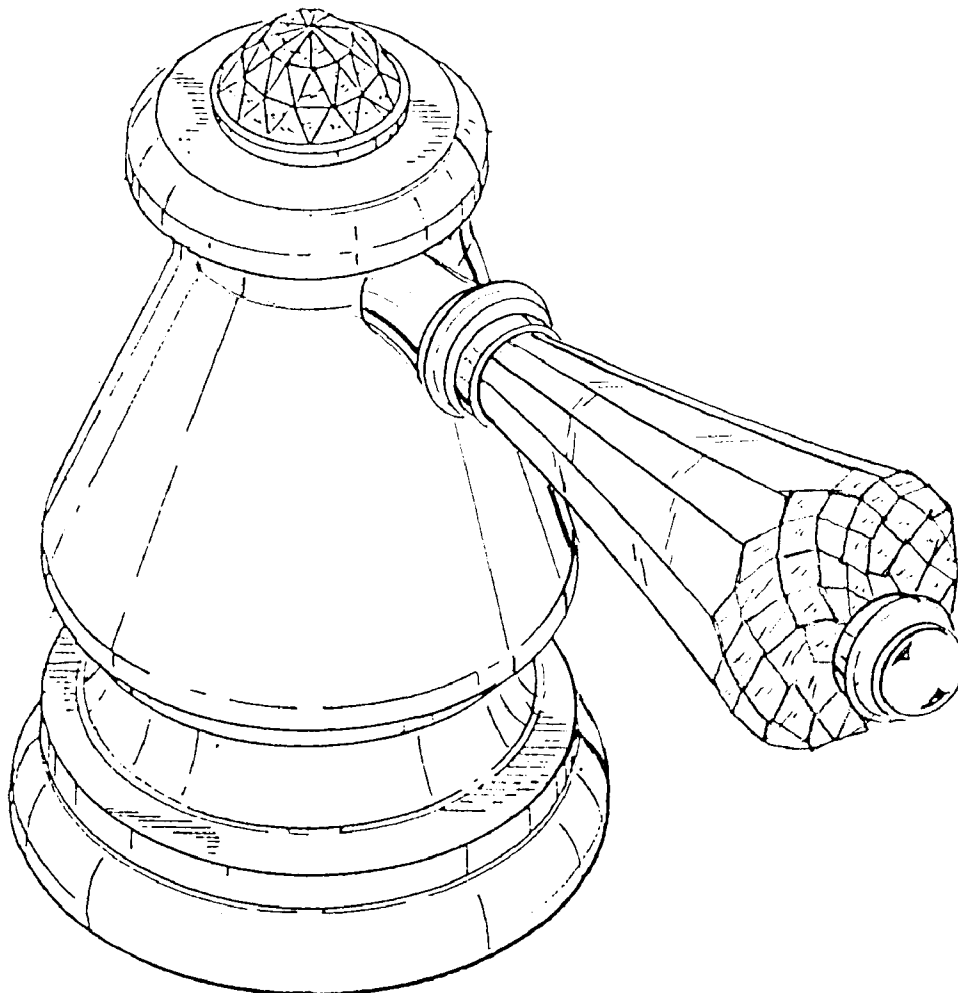
FIG. 1 is a perspective view of a faucet lever handle, showing my new design;
FIG. 2 is a top plan view thereof;
FIG. 3 is a bottom view thereof;
FIG. 4 is a front elevational view thereof;
FIG. 5 is a rear elevational view thereof; and,
FIG. 6 is a right side elevational view thereof, the left side elevational view being a mirror image thereof.

[56] **References Cited**

U.S. PATENT DOCUMENTS

D. 290,496 6/1987 Ryan D23/252
D. 325,622 4/1992 Bengtson D23/252
D. 332,135 12/1992 Bonnell D23/252

1 Claim, 2 Drawing Sheets



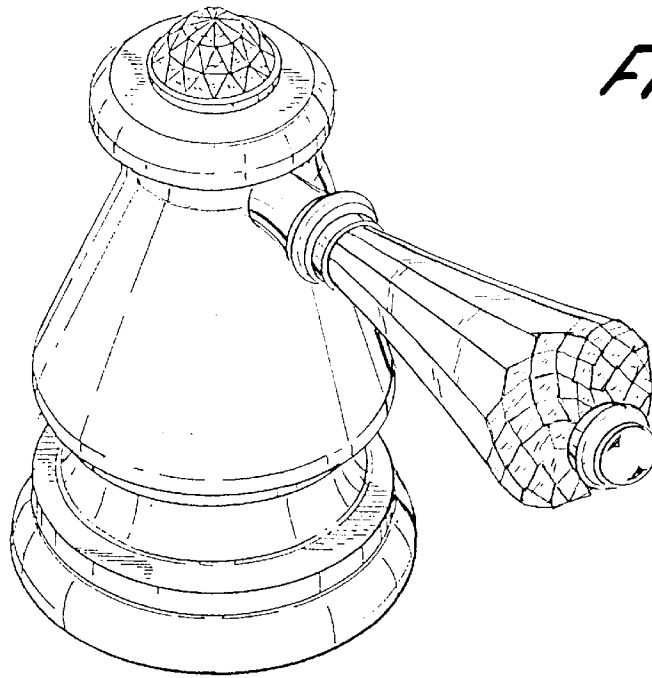


FIG. 1

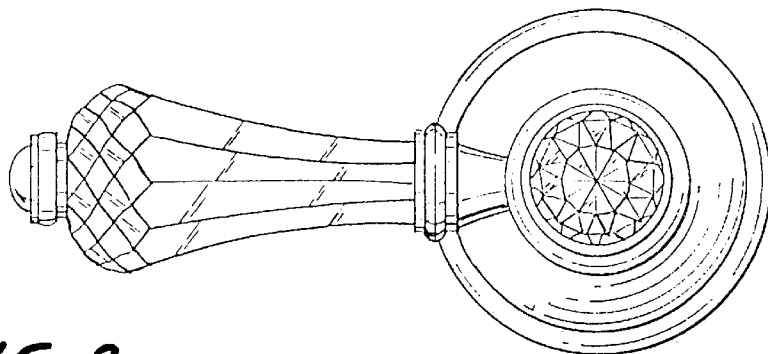


FIG. 2

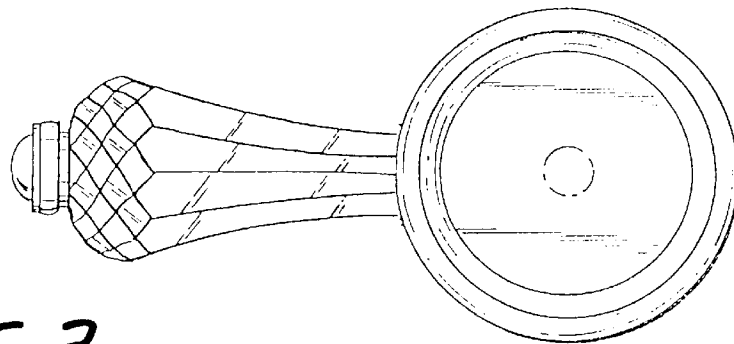


FIG. 3

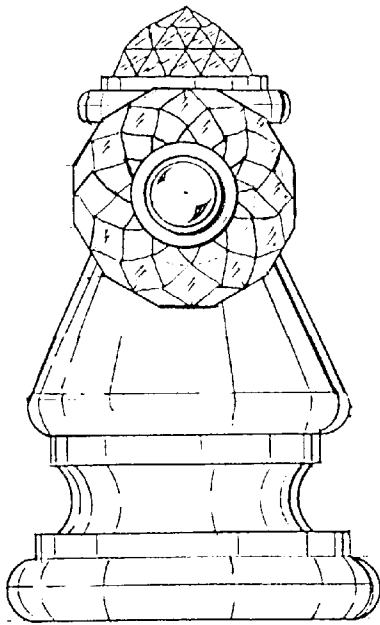


FIG. 4

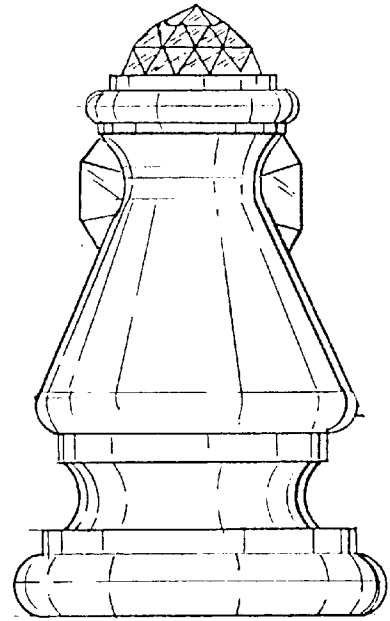


FIG. 5

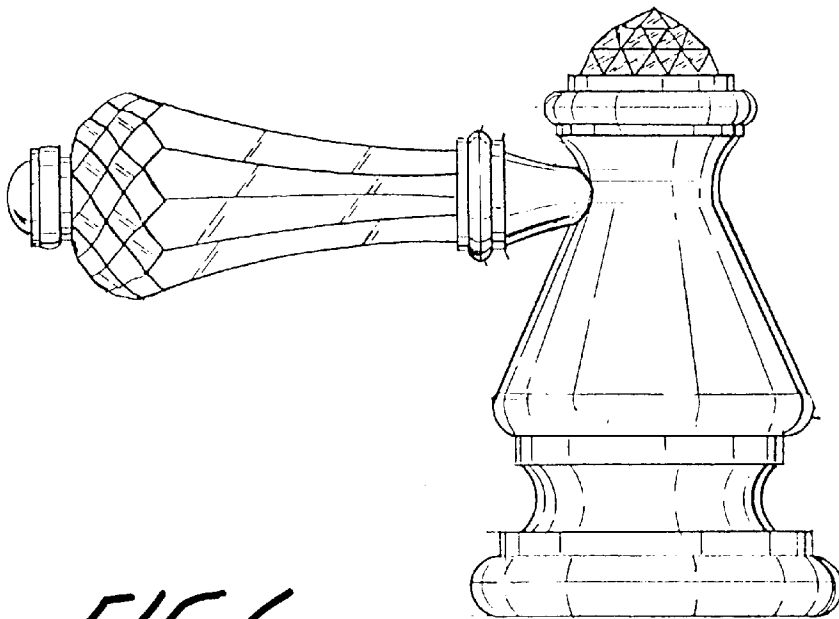


FIG. 6