



US00D813990S

(12) **United States Design Patent**  
**Schoenherr et al.**

(10) **Patent No.:** **US D813,990 S**

(45) **Date of Patent:** **\*\* Mar. 27, 2018**

(54) **FAUCET**  
(71) Applicant: **HANSGROHE SE**, Schiltach (DE)  
(72) Inventors: **Tom Schoenherr**, Stuttgart (DE);  
**Andreas Diefenbach**,  
Ludwigsburg-Oßweil (DE)  
(73) Assignee: **Hansgrohe SE**, Schiltach (DE)  
(\*\*) Term: **15 Years**  
(21) Appl. No.: **29/587,599**

D535,360 S \* 1/2007 Noth ..... D23/238  
D541,385 S \* 4/2007 Haug ..... D23/252  
D666,276 S \* 8/2012 Fritz ..... D23/238  
D704,804 S \* 5/2014 Schoenherr ..... D23/242  
D734,836 S \* 7/2015 Flowers ..... D23/239

\* cited by examiner

*Primary Examiner* — Robert A Delehanty  
(74) *Attorney, Agent, or Firm* — Lora J. Graentzdoerffer

(22) Filed: **Dec. 14, 2016**  
(30) **Foreign Application Priority Data**

Jun. 20, 2016 (EM) ..... 003229848-0005

(51) **LOC (11) Cl.** ..... **23-01**  
(52) **U.S. Cl.**  
USPC ..... **D23/242**  
(58) **Field of Classification Search**  
USPC ..... D23/238–243, 249–250, 252, 254–255,  
D23/257; D8/307–308, 310  
CPC ..... Y10T 137/9464  
See application file for complete search history.

(57) **CLAIM**

The ornamental design for a faucet, as shown and described.

(56) **References Cited**

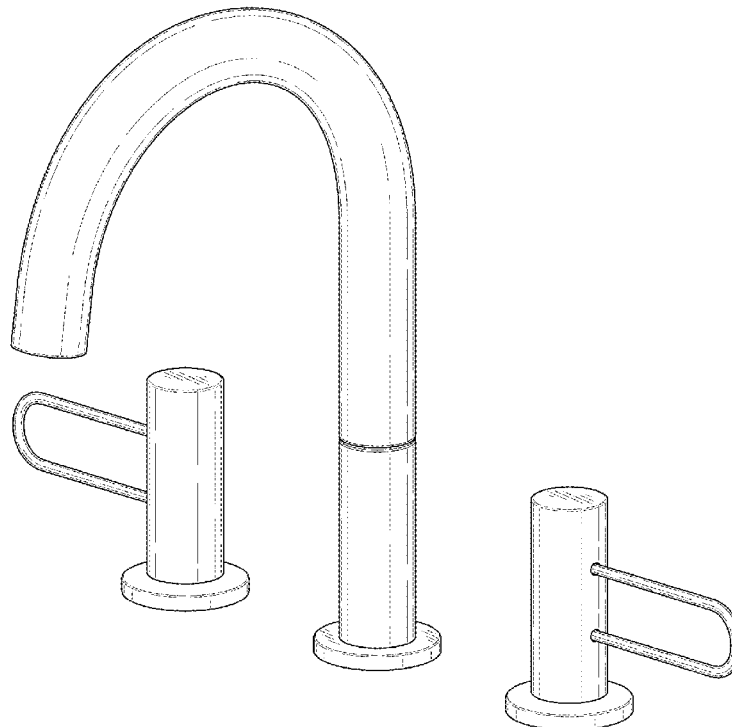
**U.S. PATENT DOCUMENTS**

D291,238 S \* 8/1987 Haug ..... D23/252  
D331,450 S \* 12/1992 Haug ..... D23/252  
D342,988 S \* 1/1994 Jans ..... D23/252

**DESCRIPTION**

FIG. 1 is a perspective view;  
FIG. 2 is a front elevation view;  
FIG. 3 is a rear elevation view;  
FIG. 4 is a side elevation view;  
FIG. 5 is a top plan view; and,  
FIG. 6 is a bottom plan view.  
The broken lines indicate portions of the faucet that form no part of the claimed design.

**1 Claim, 6 Drawing Sheets**



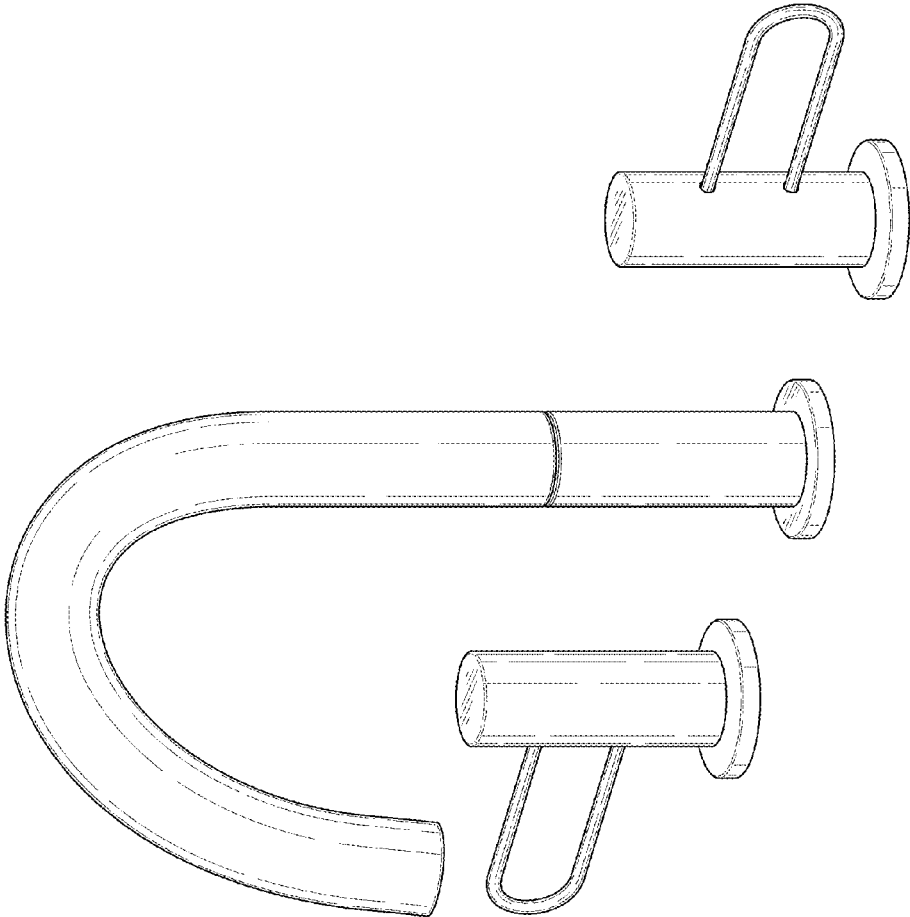


FIG. 1

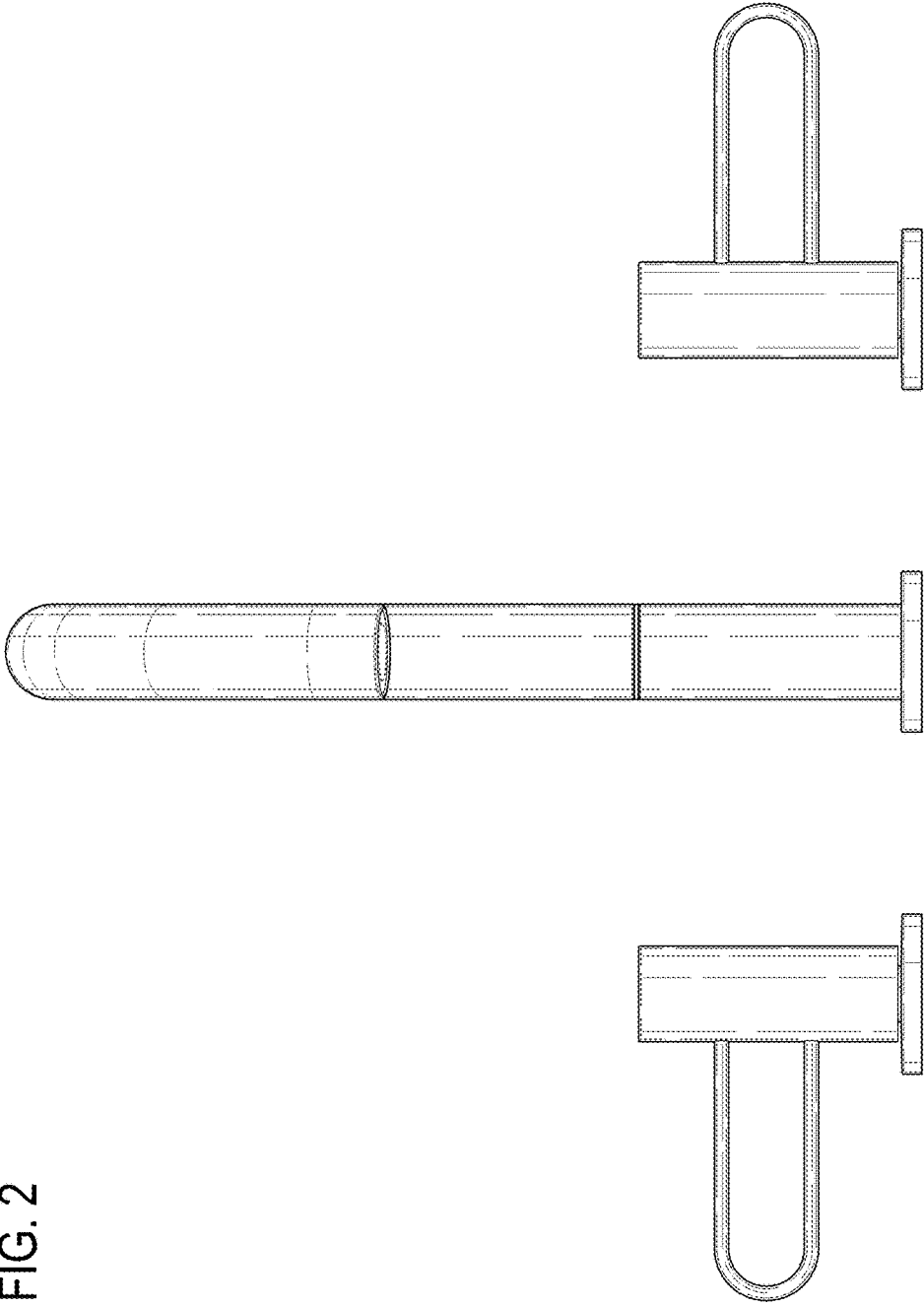


FIG. 2

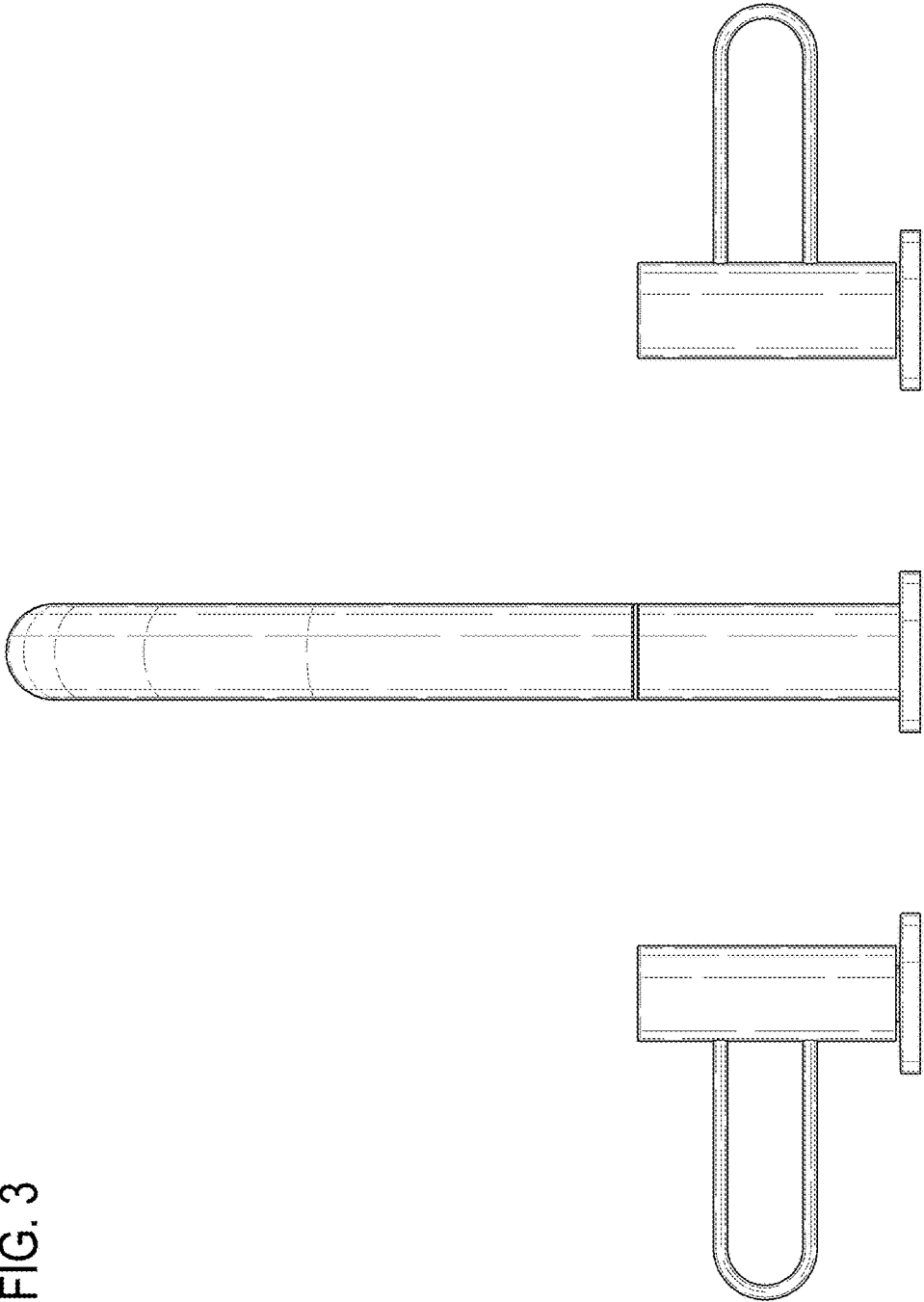


FIG. 3

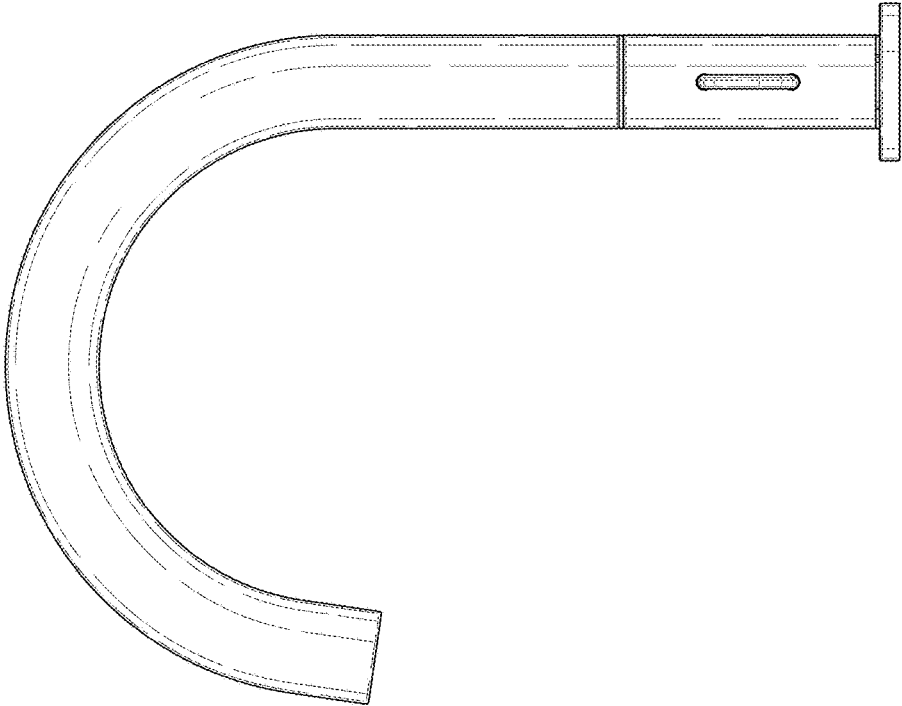


FIG. 4

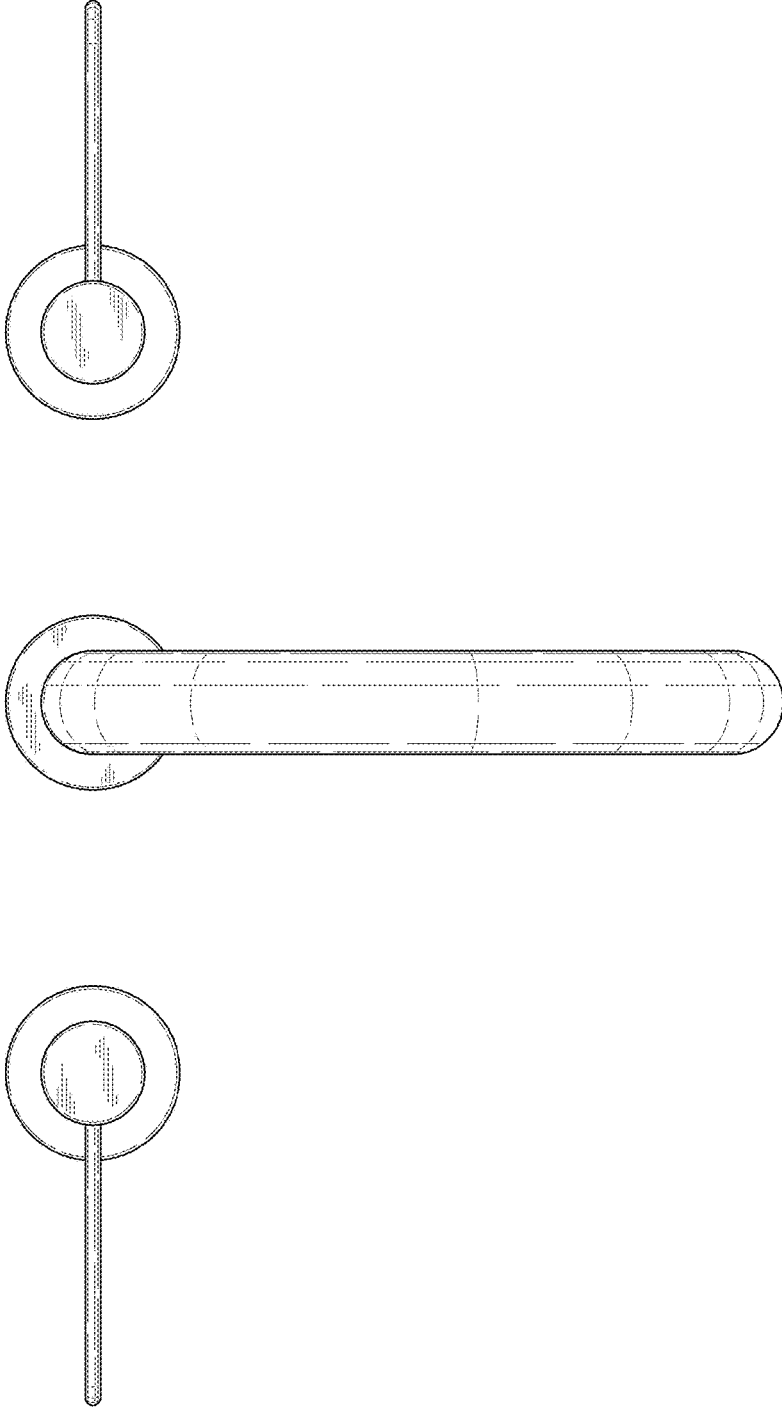


FIG. 5

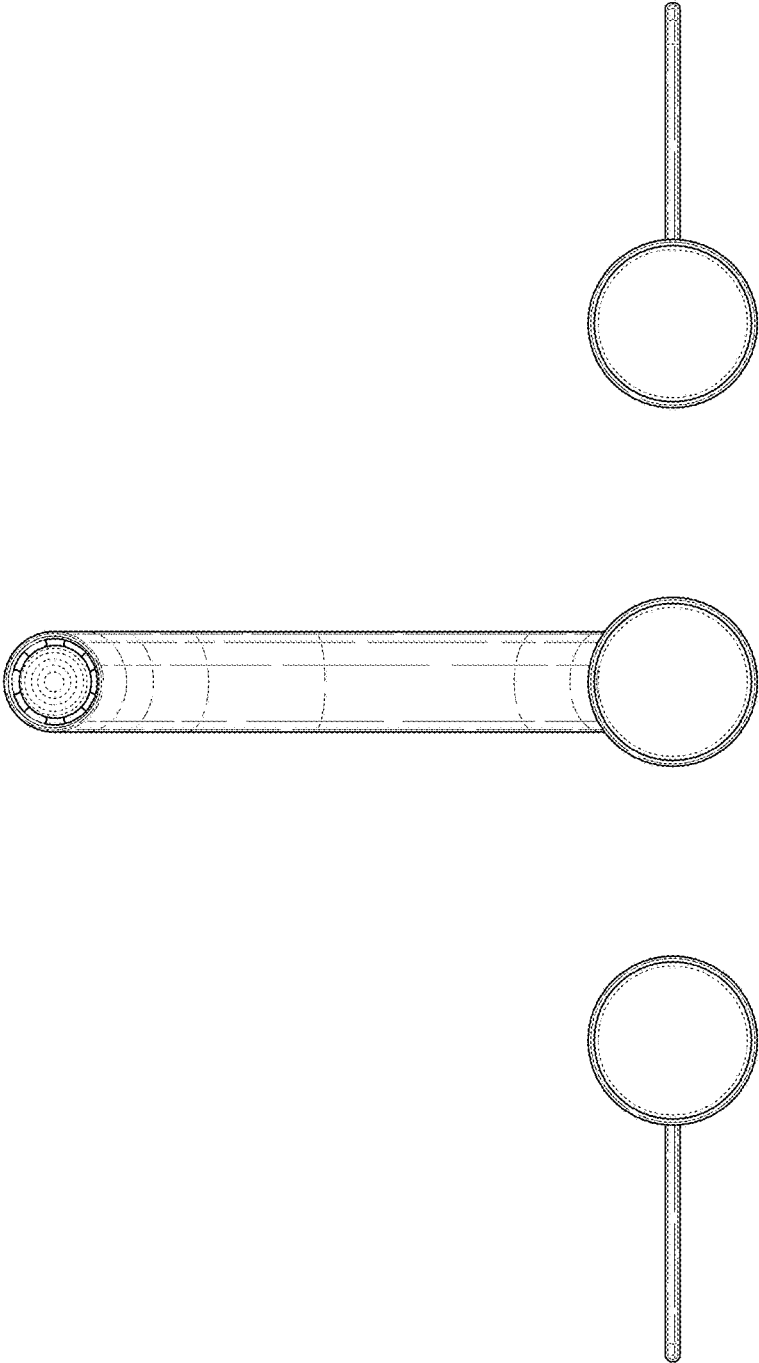


FIG. 6