



(12) **United States Design Patent**
Manzano et al.

(10) **Patent No.:** **US D892,806 S**
(45) **Date of Patent:** **** Aug. 11, 2020**

- (54) **CASE FOR PORTABLE ELECTRONIC COMPUTING DEVICE**
- (71) Applicant: **Pioneer Square Brands, Inc.**, Seattle, WA (US)
- (72) Inventors: **Megan Elizabeth Zumel Manzano**, Seattle, WA (US); **Michael Cooper Ferren**, Camas, WA (US); **Brian Lewis Piper**, Seattle, WA (US)
- (73) Assignee: **PIONEER SQUARE BRANDS, INC.**, McLean, VA (US)

D799,491 S	10/2017	Barnard et al.
D802,596 S	11/2017	Hannon et al.
D808,393 S	1/2018	Moore et al.
D810,088 S	2/2018	Moore et al.
D811,411 S	2/2018	Moore et al.
D817,334 S	5/2018	Fenton et al.
D829,721 S	10/2018	Zhang
D837,794 S *	1/2019	Chan D14/440
D837,796 S	1/2019	Kim et al.
D841,012 S	2/2019	Kim et al.
D841,013 S	2/2019	Ferren et al.
10,216,222 B2 *	2/2019	Fenton G06F 1/1616
D845,956 S	4/2019	Moore et al.
D848,435 S	5/2019	Moore et al.
D848,440 S	5/2019	Mecchella et al.
D848,441 S	5/2019	Ferren et al.
D850,454 S	6/2019	Kim et al.
D851,093 S	6/2019	Moore et al.
D852,199 S	6/2019	Kim et al.
D852,200 S	6/2019	Chan et al.
D852,201 S	6/2019	Chan et al.

(**) Term: **15 Years**

(21) Appl. No.: **29/726,171**

(22) Filed: **Feb. 28, 2020**

(51) **LOC (12) Cl.** **14-02**

(52) **U.S. Cl.**
USPC **D14/440**

(58) **Field of Classification Search**
USPC D14/440, 447, 250; 206/45.23, 320,
206/45.2; 361/679.55; 294/25; 224/218
CPC ... G06F 1/1628; G06F 1/1626; A47B 23/044;
H04B 1/3888
See application file for complete search history.

(56) **References Cited**

U.S. PATENT DOCUMENTS

D662,100 S	6/2012	Van Den Nieuwenhuizen et al.
D682,837 S	5/2013	Lee et al.
D710,857 S	8/2014	Mecchella et al.
D728,579 S	5/2015	Mecchella et al.
D729,880 S	5/2015	Nichols et al.
D742,385 S	11/2015	Chaney
D742,889 S	11/2015	Mecchella et al.
D742,890 S	11/2015	Mecchella et al.
D772,881 S	11/2016	Chang et al.

(Continued)
Primary Examiner — Cynthia R Underwood
(74) *Attorney, Agent, or Firm* — Grandview Law

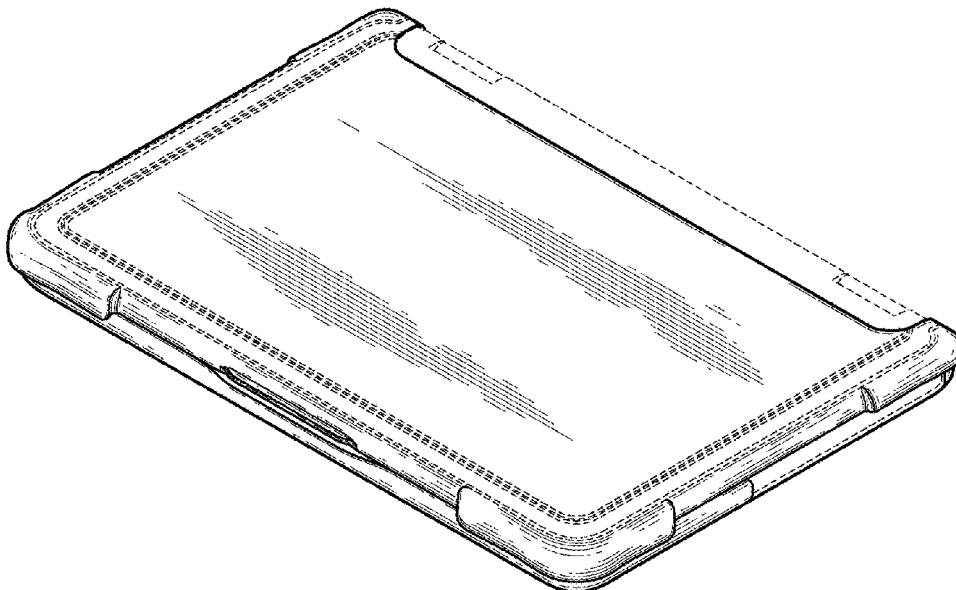
(57) **CLAIM**

The ornamental design for a case for portable electronic computing device, as shown and described.

DESCRIPTION

FIG. 1 is a front perspective view of a case for portable electronic computing device showing our new design; FIG. 2 is a front plan view thereof; FIG. 3 is a rear plan view thereof; FIG. 4 is a top elevation view thereof; FIG. 5 is a bottom elevational view thereof; FIG. 6 is a left elevational view thereof; and, FIG. 7 is a right elevational view thereof. The features shown in broken lines in the drawing figures depict features that form no part of the claimed design.

1 Claim, 4 Drawing Sheets



(56)

References Cited

U.S. PATENT DOCUMENTS

D852,202 S	6/2019	Ferren et al.	
D864,210 S	7/2019	Chan et al.	
D861,001 S *	9/2019	Fenton	D14/440
D861,698 S *	10/2019	Fenton	D14/440
D862,480 S	10/2019	Chan et al.	
D863,314 S	10/2019	Chan et al.	
D863,315 S	10/2019	Chan et al.	
D863,316 S	10/2019	Chan et al.	
D863,317 S	10/2019	Piper et al.	
D874,467 S	2/2020	Piper et al.	

* cited by examiner

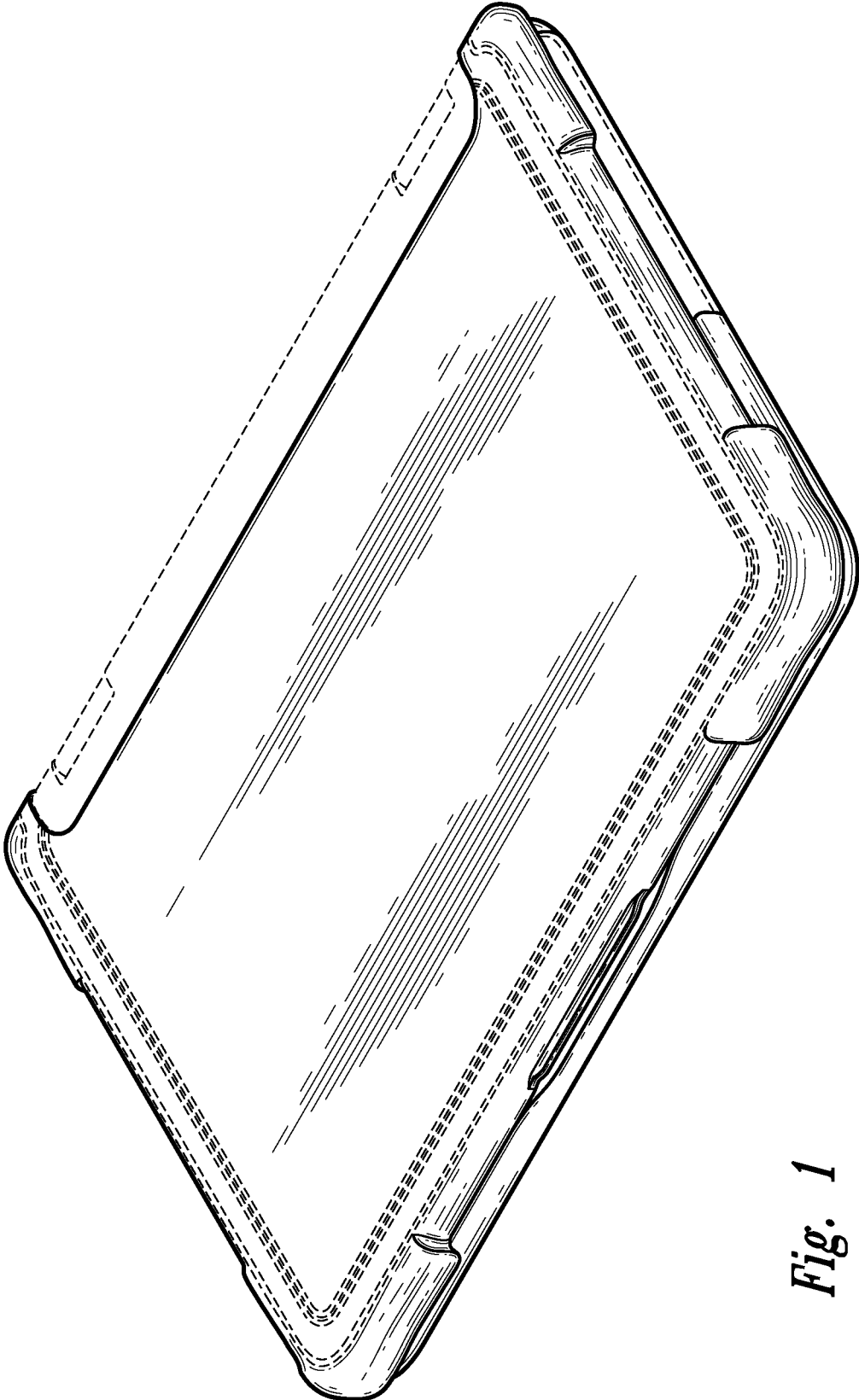


Fig. 1

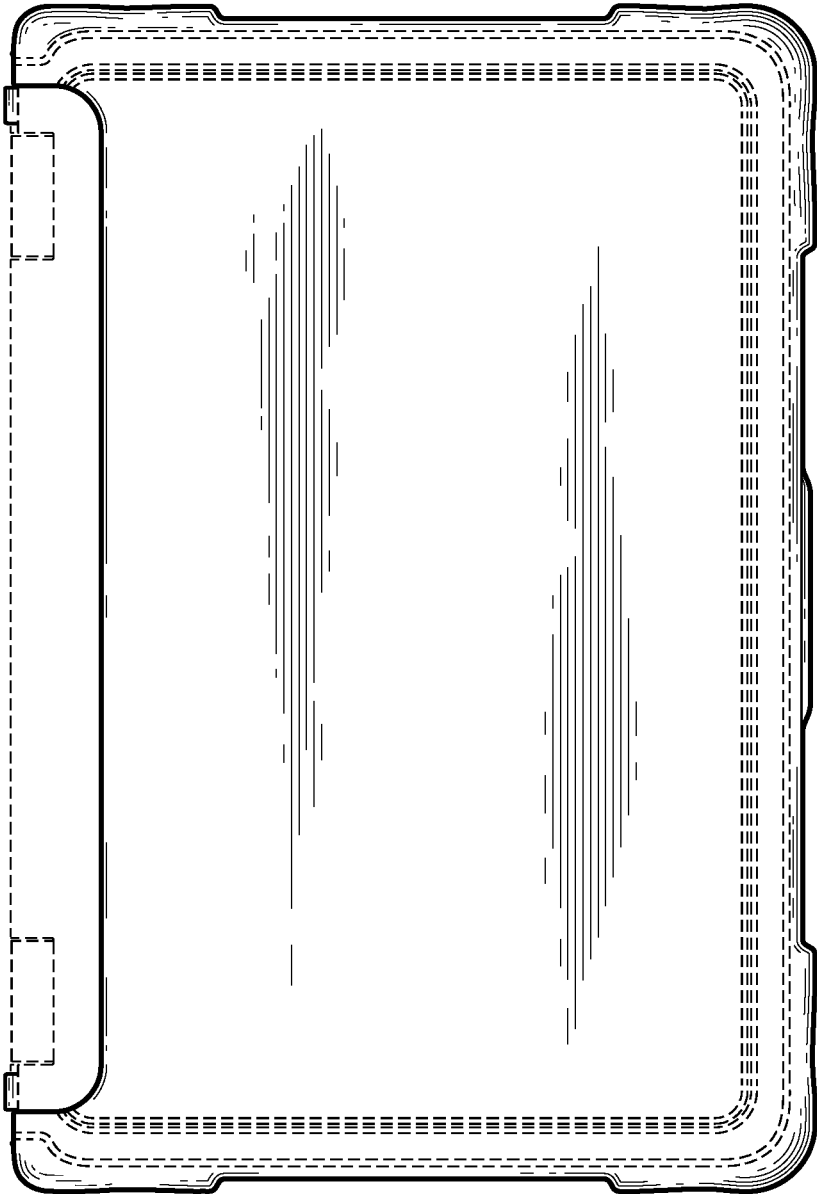


Fig. 2

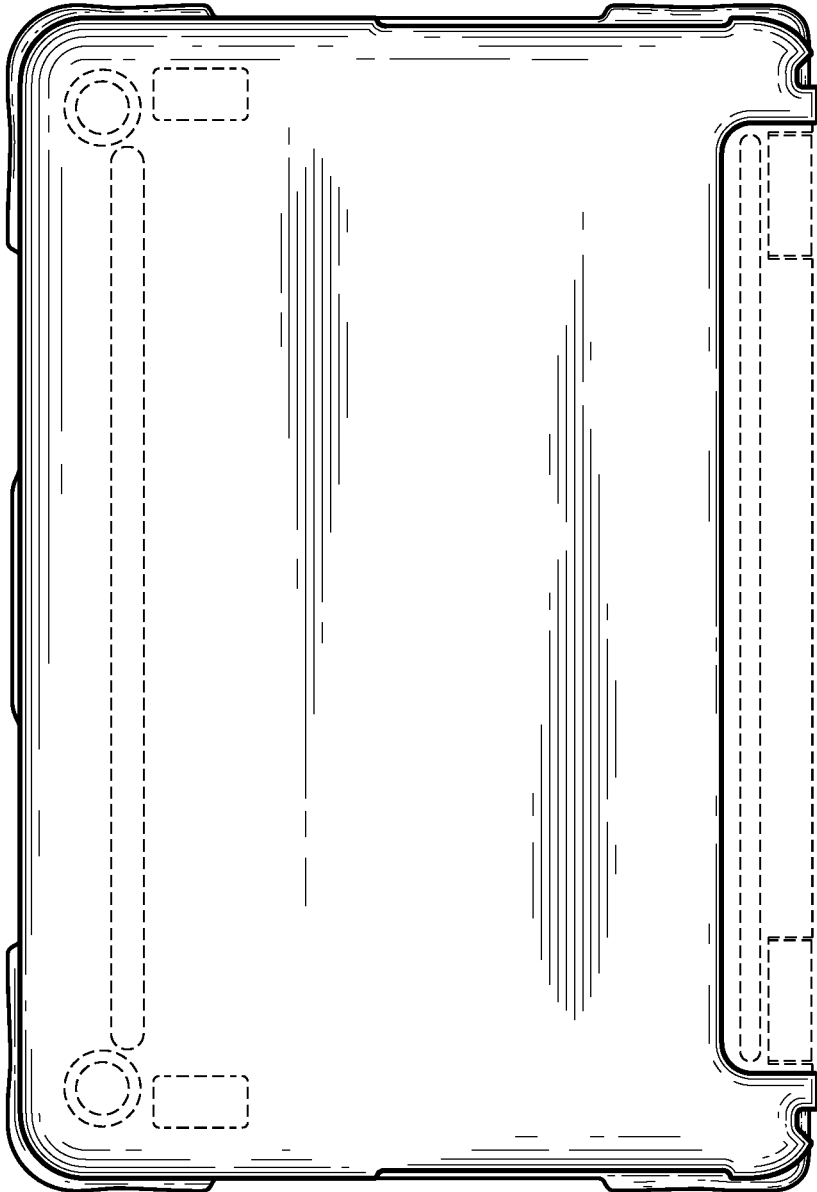


Fig. 3



Fig. 4

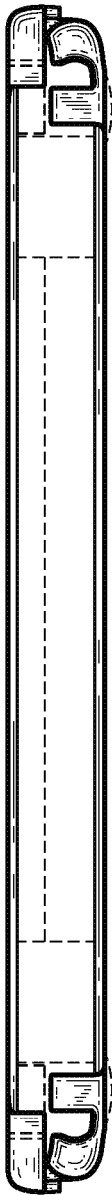


Fig. 5

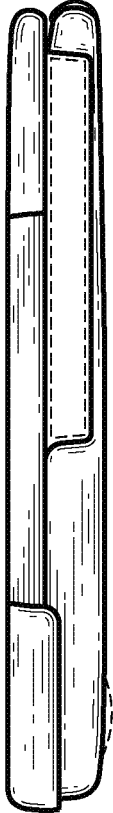


Fig. 6

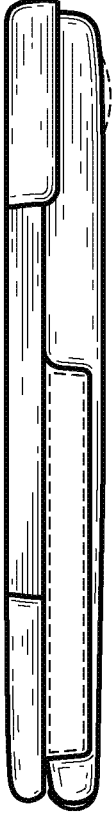


Fig. 7