



US00D765614S

(12) **United States Design Patent**
Obong

(10) **Patent No.:** **US D765,614 S**

(45) **Date of Patent:** **** Sep. 6, 2016**

- (54) **GROUND ROD PROTECTOR**
- (71) Applicant: **Bassey Edet Obong**, Atlanta, GA (US)
- (72) Inventor: **Bassey Edet Obong**, Atlanta, GA (US)
- (**) Term: **14 Years**
- (21) Appl. No.: **29/525,434**
- (22) Filed: **Apr. 29, 2015**
- (51) **LOC (10) Cl.** **13-99**
- (52) **U.S. Cl.**
USPC **D13/199**
- (58) **Field of Classification Search**
USPC D13/110, 112, 123, 129, 13, 154, 156,
D13/173, 184, 199; D15/138
CPC H01R 3/06; H01R 4/40; H01R 4/66;
H01R 11/09; H01R 13/52; H01R 4/70;
H01R 4/62; H01R 4/60; H01R 4/64; B65D
59/06
See application file for complete search history.

- 5,672,065 A * 9/1997 Womack H01R 4/5041
174/94 R
- D629,820 S * 12/2010 Van Ryswyk D15/139
- D673,826 S * 1/2013 Koiwa D8/14
- 2005/0145286 A1 * 7/2005 Rivers H01R 4/66
138/96 R
- 2006/0128210 A1 * 6/2006 Peters H01R 13/6392
439/521

* cited by examiner

Primary Examiner — Thomas Johannes
Assistant Examiner — Shawn T Gingrich
(74) *Attorney, Agent, or Firm* — Dunlap Bennett & Ludwig
PLLC

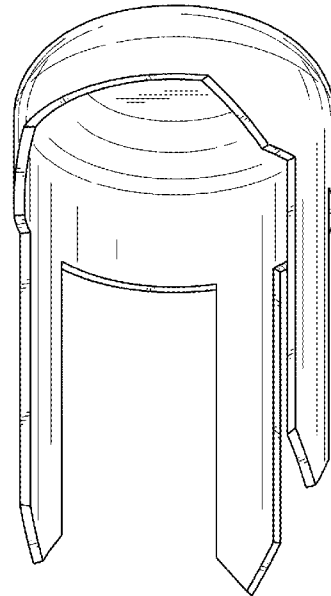
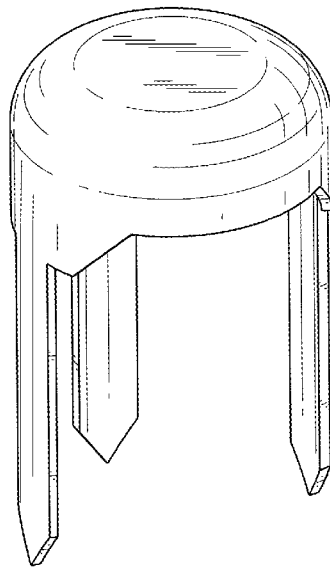
(57) **CLAIM**
The ornamental design for a ground rod protector, as shown
and described.

DESCRIPTION

FIG. 1 is a front perspective view of a ground rod protector;
FIG. 2 is a bottom perspective view thereof;
FIG. 3 is a front elevation view thereof;
FIG. 4 is a rear elevation view thereof;
FIG. 5 is a left side elevation view thereof, the right side
elevation view being a mirror image thereof;
FIG. 6 is a top plan view thereof; and,
FIG. 7 is a bottom plan view thereof.

1 Claim, 3 Drawing Sheets

- (56) **References Cited**
U.S. PATENT DOCUMENTS
4,880,387 A * 11/1989 Stikeleather H02G 3/0691
174/653
D316,402 S * 4/1991 Baker D13/156
D331,249 S * 11/1992 Kassouf D13/156
5,358,423 A * 10/1994 Burkhard H01R 4/2454
24/336



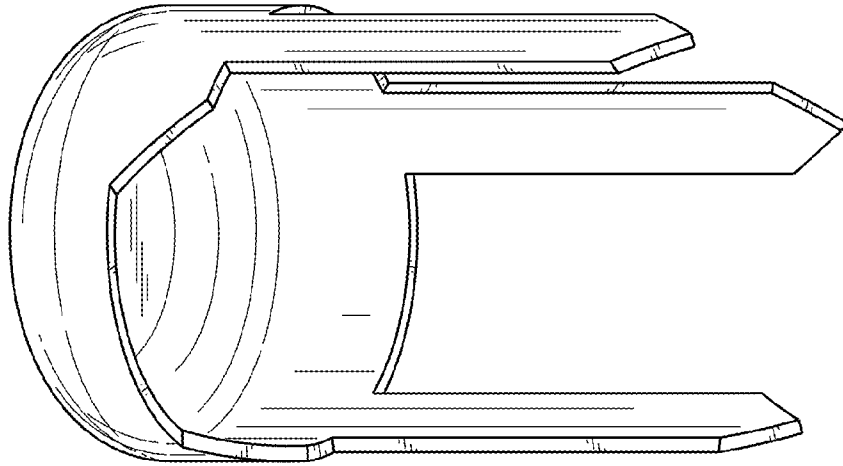


FIG. 2

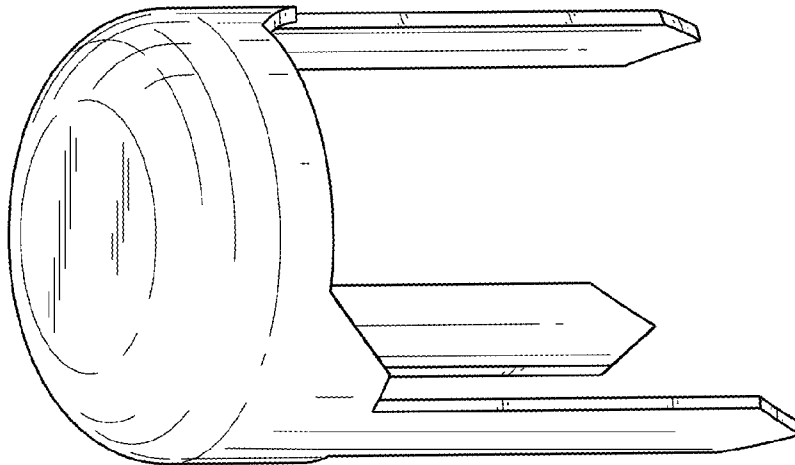


FIG. 1

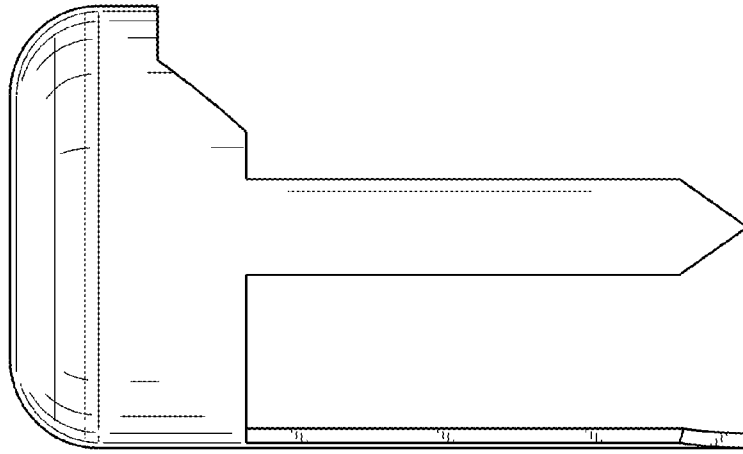


FIG. 3

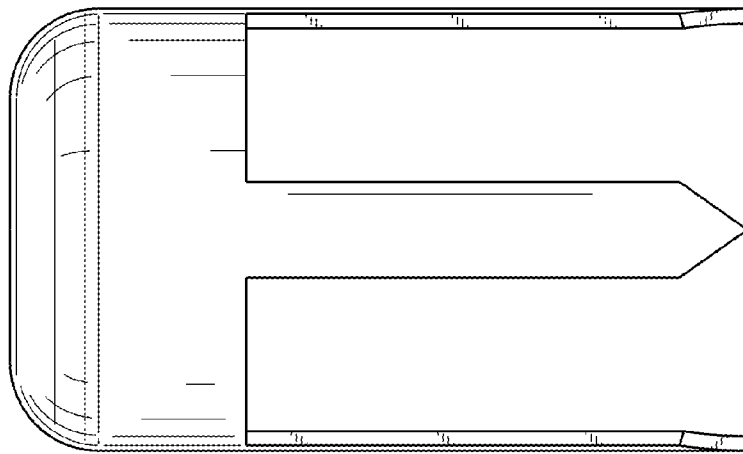


FIG. 4

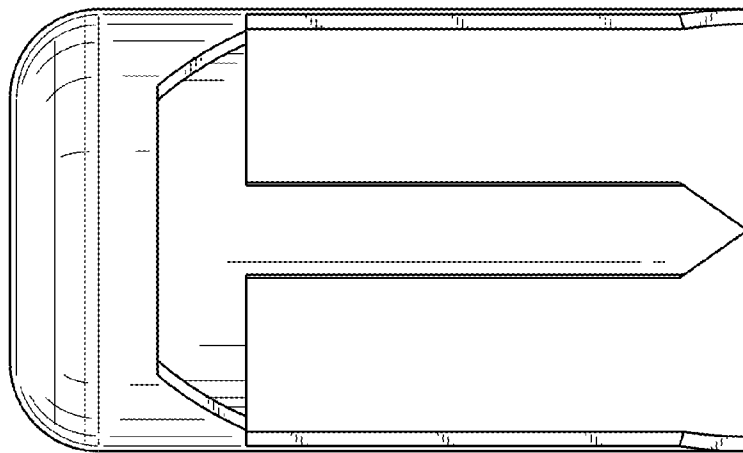


FIG. 5

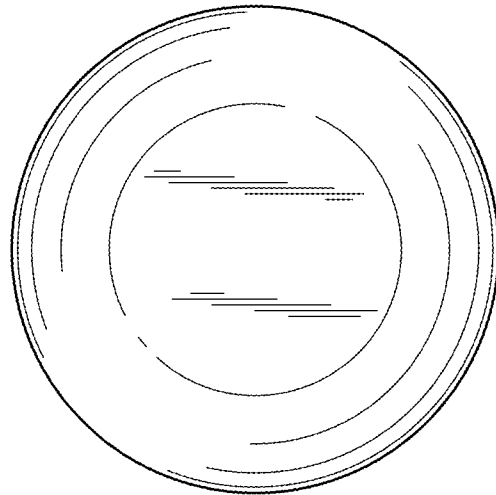


FIG. 6

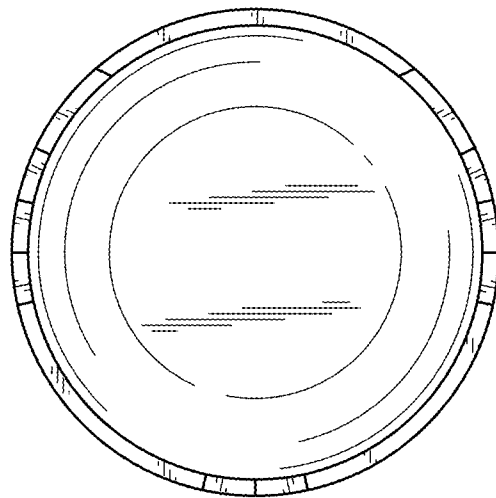


FIG. 7