

(19) World Intellectual Property
Organization
International Bureau



(43) International Publication Date
3 March 2005 (03.03.2005)

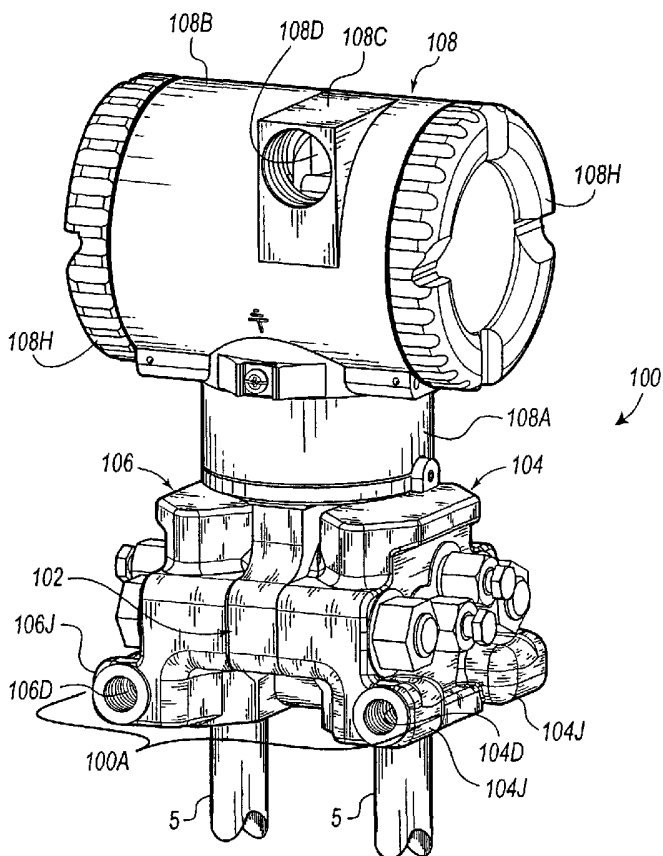
PCT

(10) International Publication Number
WO 2005/019786 A3

- (51) International Patent Classification⁷: **G01L 7/00**
- (21) International Application Number:
PCT/US2004/025972
- (22) International Filing Date: 11 August 2004 (11.08.2004)
- (25) Filing Language: English
- (26) Publication Language: English
- (30) Priority Data:
60/494,494 12 August 2003 (12.08.2003) US
10/854,909 27 May 2004 (27.05.2004) US
- (71) Applicant (for all designated States except US): **INVEN-
SYS SYSTEMS, INC.** [US/US]; 33 Commercial Street,
Foxboro, MA 02035 (US).
- (72) Inventors; and
- (75) Inventors/Applicants (for US only): **CASIMIRO,
Richard, P.** [US/US]; 329 Wickham Road, North
Kingstown, RI 02852 (US). **LANTAGNE, Steven, D.**
[US/US]; 40 Maynard Avenue, Seekonk, MA 02771 (US).
- (74) Agents: **OLIVER, Kevin, A.** et al.; Foley Hoag LLP,
Seaport World Trade Center West, 155 Seaport Boulevard,
Boston, MA 02210-2600 (US).
- (81) Designated States (unless otherwise indicated, for every
kind of national protection available): AE, AG, AL, AM,
AT, AU, AZ, BA, BB, BG, BR, BW, BY, BZ, CA, CH, CN,
CO, CR, CU, CZ, DE, DK, DM, DZ, EC, EE, EG, ES, FI,
GB, GD, GE, GH, GM, HR, HU, ID, IL, IN, IS, JP, KE,
KG, KP, KR, KZ, LC, LK, LR, LS, LT, LU, LV, MA, MD,
MG, MK, MN, MW, MX, MZ, NA, NI, NO, NZ, OM, PG,
PH, PL, PT, RO, RU, SC, SD, SE, SG, SK, SL, SY, TJ, TM,
TN, TR, TT, TZ, UA, UG, US, UZ, VC, VN, YU, ZA, ZM,
ZW.
- (84) Designated States (unless otherwise indicated, for every
kind of regional protection available): ARIPO (BW, GH,
GM, KE, LS, MW, MZ, NA, SD, SL, SZ, TZ, UG, ZM,
ZW), Eurasian (AM, AZ, BY, KG, KZ, MD, RU, TJ, TM),
European (AT, BE, BG, CH, CY, CZ, DE, DK, EE, ES, FI,
FR, GB, GR, HU, IE, IT, LU, MC, NL, PL, PT, RO, SE, SI,

[Continued on next page]

(54) Title: BI-PLANAR DIFFERENTIAL PRESSURE TRANSMITTER WITH ORTHOGONAL PROCESS CONNECTIONS



(57) Abstract: A pressure transmitter apparatus includes a unitary body with two, normally vertical pressure passageways communicating respectively between opposed pressure openings extending normally horizontally through the body portion. A transducer for generating a differential pressure signal mounts on a transducer element, coupled to the body portion and located above the pressure passageways. A pair of diaphragm elements can form first and second process diaphragms, closing first and second pressure openings. Flange elements overlie the diaphragm elements and are removably and replaceably secured to the body portion, having liquid drainage and gas purging passageways. An overrange protection element can be integrally arranged with the unitary body portion to protect the transducer from overrange pressure fluctuations. Extensions on the flange elements afford a variety of mounting options, including mounting to industry standard pipe mountings.

WO 2005/019786 A3



SK, TR), OAPI (BF, BJ, CF, CG, CI, CM, GA, GN, GQ, GW, ML, MR, NE, SN, TD, TG).

For two-letter codes and other abbreviations, refer to the "Guidance Notes on Codes and Abbreviations" appearing at the beginning of each regular issue of the PCT Gazette.

Published:

- *with international search report*
- *before the expiration of the time limit for amending the claims and to be republished in the event of receipt of amendments*

(88) Date of publication of the international search report:

2 June 2005

INTERNATIONAL SEARCH REPORT

International application No.

PCT/US04/25972

A. CLASSIFICATION OF SUBJECT MATTER IPC(7) : G01L 7/00 US CL : 73/715 According to International Patent Classification (IPC) or to both national classification and IPC		
B. FIELDS SEARCHED Minimum documentation searched (classification system followed by classification symbols) U.S. : 73/715, 706, 716-727, 756; 137/343 Documentation searched other than minimum documentation to the extent that such documents are included in the fields searched NONE Electronic data base consulted during the international search (name of data base and, where practicable, search terms used) EAST; USPAT; pressure adj transmitter, mount\$ and (transducer or sensor, diaphragm same flange, presure adj port\$.		
C. DOCUMENTS CONSIDERED TO BE RELEVANT		
Category *	Citation of document, with indication, where appropriate, of the relevant passages	Relevant to claim No.
A	US 6,484,587 B2 (GUL) 26 November 2002 (26.11.2002) see entire document.	1-52
A	US 5,469,749 A (SHIMADA et al) 28 November 1995 (28.11.1995) see entire document.	1-52
A	US 6,038,927 A (KARAS) 21 March 2000 (21.03.2000) see entire document.	1-52
A	US 6,279,401 B1 (KARAS) 28 August 2001 (28.08.2001) see entire document.	1-52
<input type="checkbox"/> Further documents are listed in the continuation of Box C. <input type="checkbox"/> See patent family annex.		
* Special categories of cited documents:	"T"	later document published after the international filing date or priority date and not in conflict with the application but cited to understand the principle or theory underlying the invention
"A" document defining the general state of the art which is not considered to be of particular relevance	"X"	document of particular relevance; the claimed invention cannot be considered novel or cannot be considered to involve an inventive step when the document is taken alone
"E" earlier application or patent published on or after the international filing date	"Y"	document of particular relevance; the claimed invention cannot be considered to involve an inventive step when the document is combined with one or more other such documents, such combination being obvious to a person skilled in the art
"L" document which may throw doubts on priority claim(s) or which is cited to establish the publication date of another citation or other special reason (as specified)	"&"	document member of the same patent family
"O" document referring to an oral disclosure, use, exhibition or other means		
"P" document published prior to the international filing date but later than the priority date claimed		
Date of the actual completion of the international search	Date of mailing of the international search report	
31 March 2005 (31.03.2005)	07 APR 2005	
Name and mailing address of the ISA/US Mail Stop PCT, Attn: ISA/US Commissioner for Patents P.O. Box 1450 Alexandria, Virginia 22313-1450 Facsimile No. (703) 305-3230	Authorized officer Jose Dees Telephone No. 571-272-1569	