



US00D847334S

(12) **United States Design Patent**
Amano

(10) **Patent No.:** **US D847,334 S**

(45) **Date of Patent:** **** Apr. 30, 2019**

(54) **OPERATING UNIT FOR SURGICAL DEVICE**

(71) Applicant: **OLYMPUS CORPORATION**,
Hachioji-shi, Tokyo (JP)

(72) Inventor: **Hirotohi Amano**, Tokyo (JP)

(73) Assignee: **OLYMPUS CORPORATION**, Tokyo
(JP)

(**) Term: **15 Years**

(21) Appl. No.: **29/639,745**

(22) Filed: **Mar. 8, 2018**

(30) **Foreign Application Priority Data**

Sep. 8, 2017 (JP) 2017-019509

(51) **LOC (11) Cl.** **24-02**

(52) **U.S. Cl.**
USPC **D24/133**

(58) **Field of Classification Search**
USPC D24/133, 141, 147, 137, 138; D8/303,
D8/313
CPC A61F 2002/9517; A61F 2002/9522; A61F
2002/9528; A61F 2002/9534; A61F
2002/9665; A61B 1/267; A61B 1/2673;
A61B 1/2676; A61B 1/00; A61B
1/00052; A61B 1/00066; A61B 5/0077;
A61B 19/5223; A61B 19/5225; A61B
1/04; A61B 8/5215; G02B 23/24
See application file for complete search history.

(56) **References Cited**

U.S. PATENT DOCUMENTS

D389,915 S * 1/1998 Emerson D24/133
D424,197 S * 5/2000 Sydlowski D24/133
D489,183 S * 5/2004 Akahori D4/101
D658,382 S * 5/2012 Heil D4/101

D664,657 S * 7/2012 Vieira D24/144
D673,676 S * 1/2013 Goudreau D24/133
D681,807 S * 5/2013 Niedbala D24/113

(Continued)

FOREIGN PATENT DOCUMENTS

WO WO-2018162561 A1 * 9/2018 A61B 1/00066

Primary Examiner — Susan Bennett Hattan

Assistant Examiner — Lauren D McVey

(74) *Attorney, Agent, or Firm* — Oliff PLC

(57) **CLAIM**

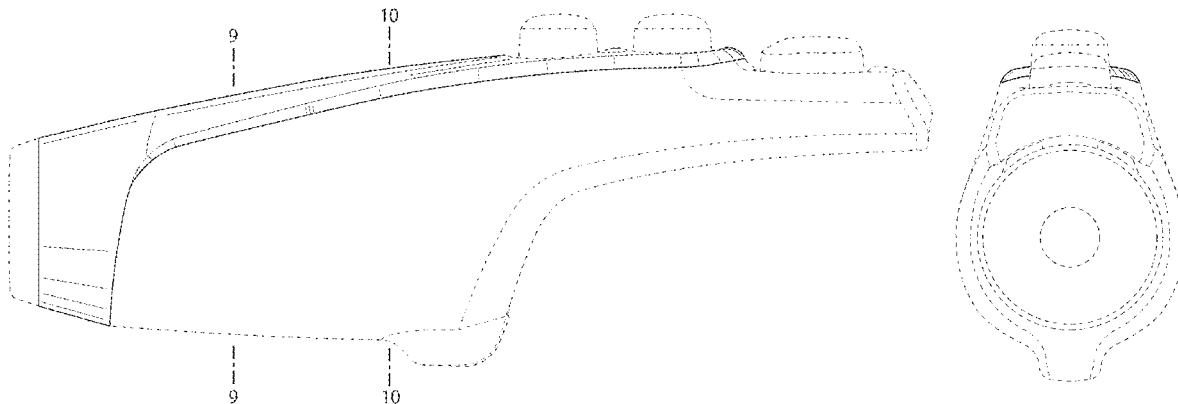
The ornamental design for an operating unit for surgical device, as shown and described.

DESCRIPTION

FIG. 1 is a front, top and right side perspective view of an operating unit for surgical device, showing my new design; FIG. 2 is a rear, top and left side perspective view thereof; FIG. 3 is a front view thereof; FIG. 4 is a rear view thereof; FIG. 5 is a top view thereof; FIG. 6 is a bottom view thereof; FIG. 7 is a left side view thereof; FIG. 8 is a right side view thereof; FIG. 9 is a cross section view thereof, taken along the line 9-9 in FIG. 3; and, FIG. 10 is a cross section view thereof, taken along the line 10-10 in FIG. 3.

The evenly spaced broken lines immediately adjacent the shaded areas represent the bounds of the claimed design while all other broken lines are directed to environment and are for illustrative purposes only; the broken lines form no part of the claimed design. In addition, the unshaded surfaces directly adjoining the solid line claimed edge form no part of the claimed design. The dot-dash lines in the cross-section FIG. 3 view is used to identify the cross-section views and are for reference purposes only.

1 Claim, 7 Drawing Sheets



(56)

References Cited

U.S. PATENT DOCUMENTS

D780,916 S * 3/2017 Ogura D24/138
D798,445 S * 9/2017 Heni D24/133
D801,696 S * 11/2017 McGarry D4/101
D820,972 S * 6/2018 Klever D24/108
2004/0209222 A1 * 10/2004 Snyder A61C 17/02
433/80
2016/0270694 A1 * 9/2016 Tang A61B 5/1076

* cited by examiner

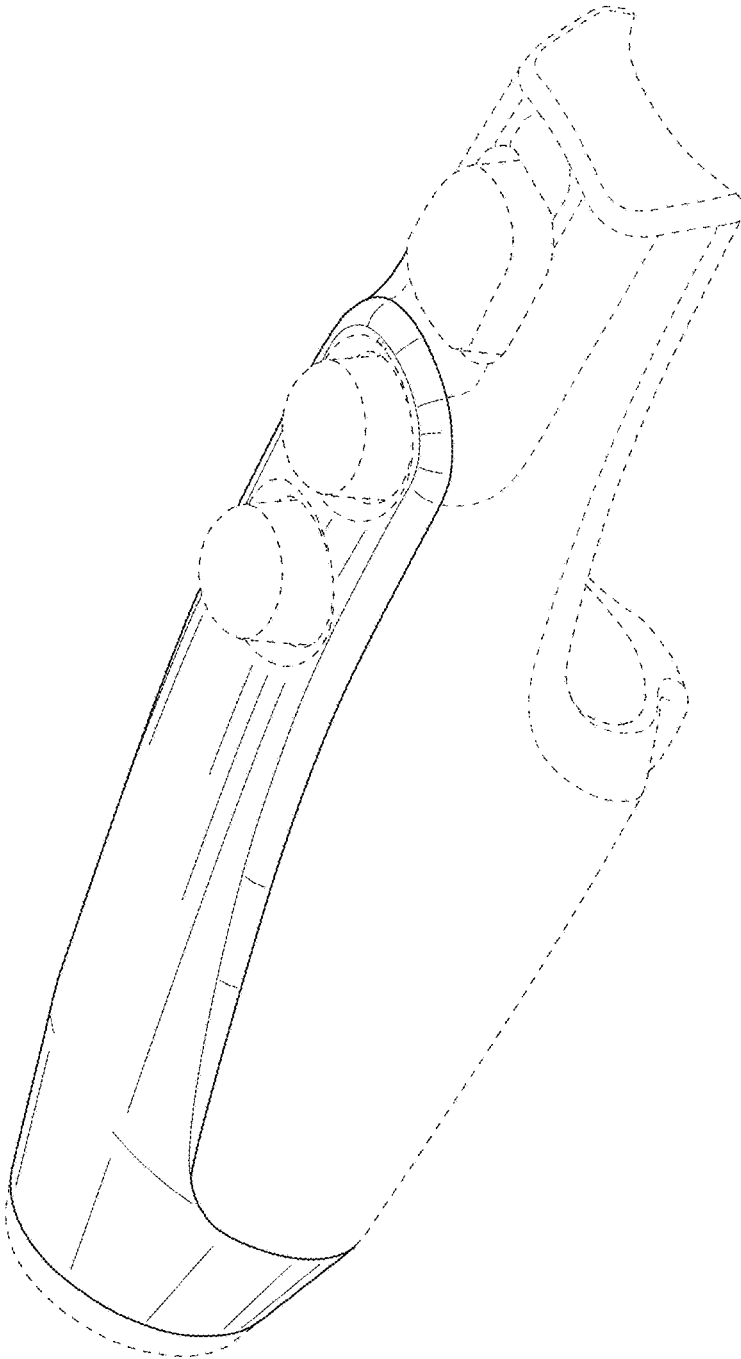


Fig. 1

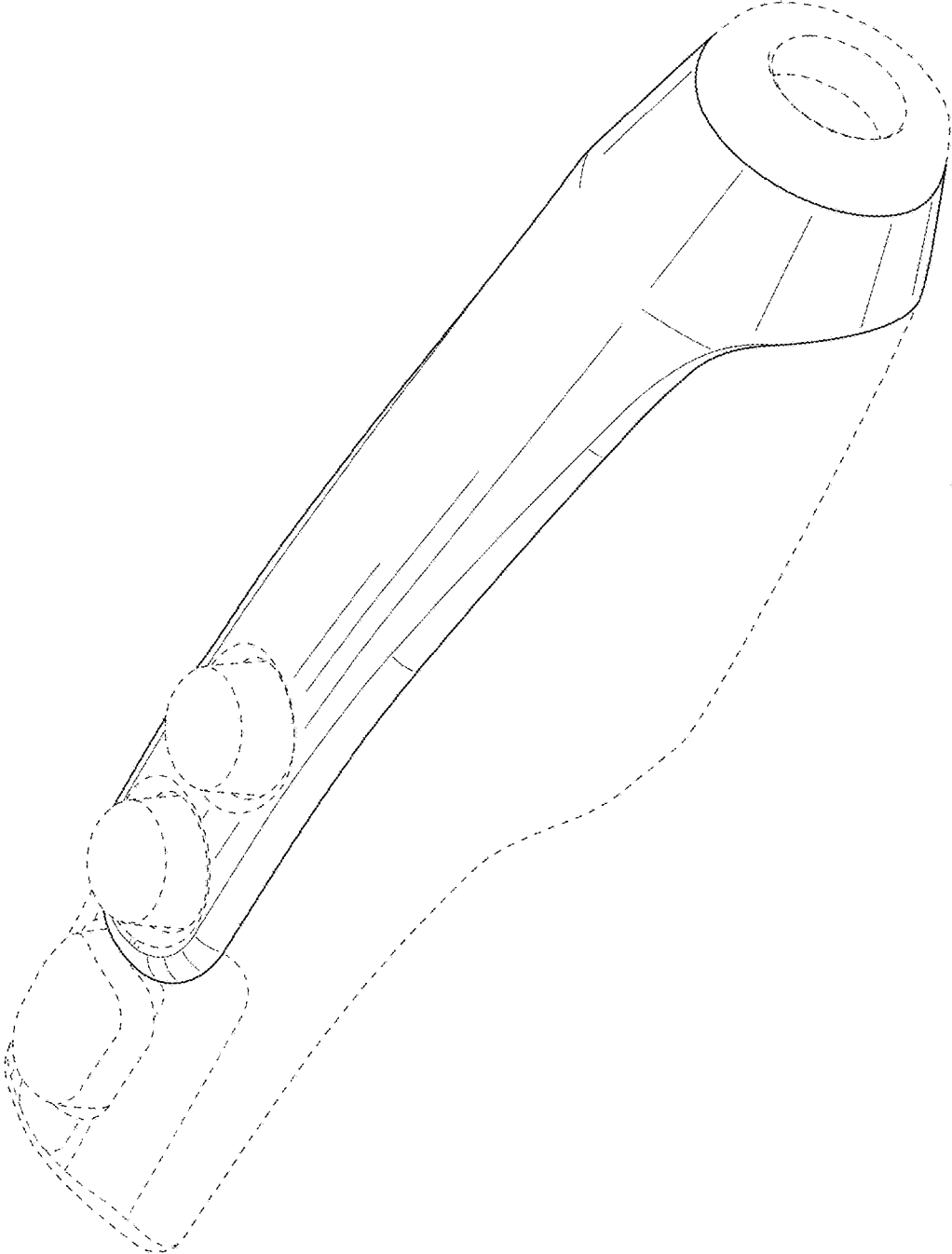


Fig. 2

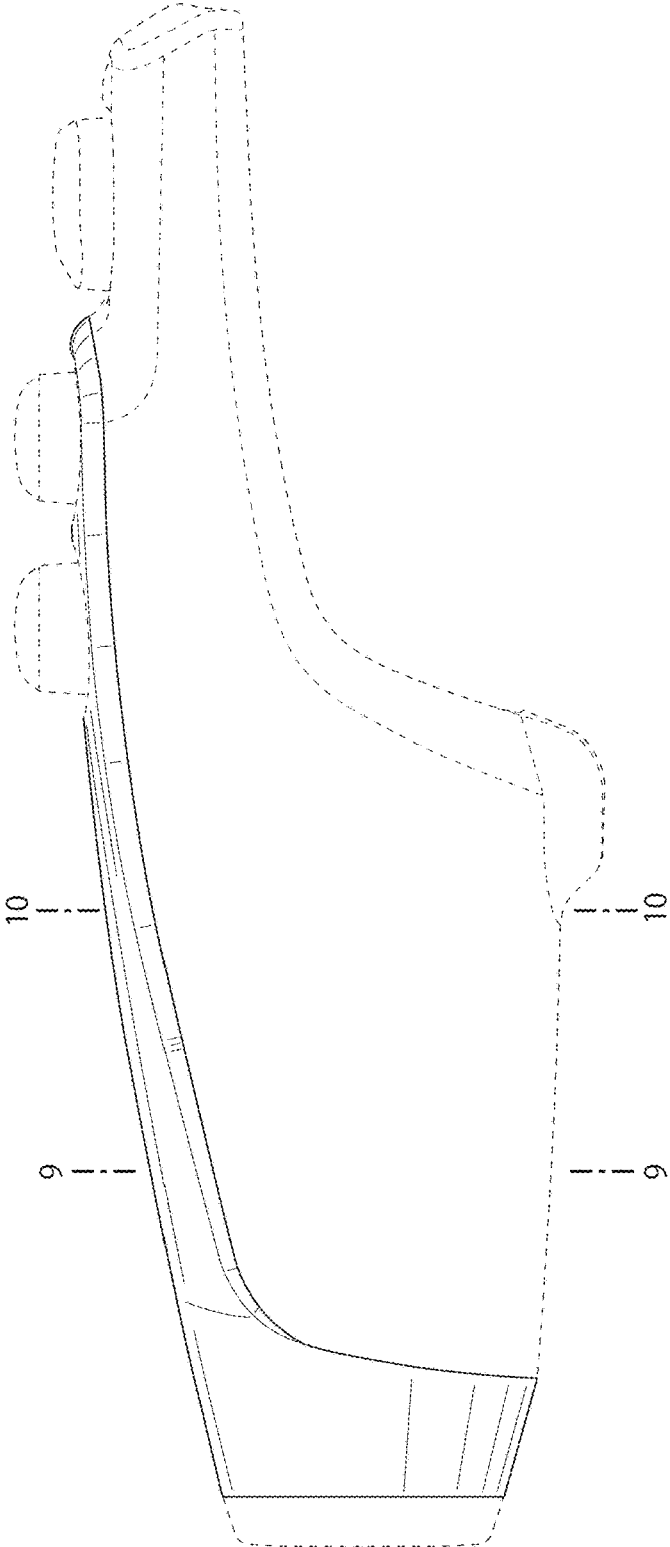


Fig. 3

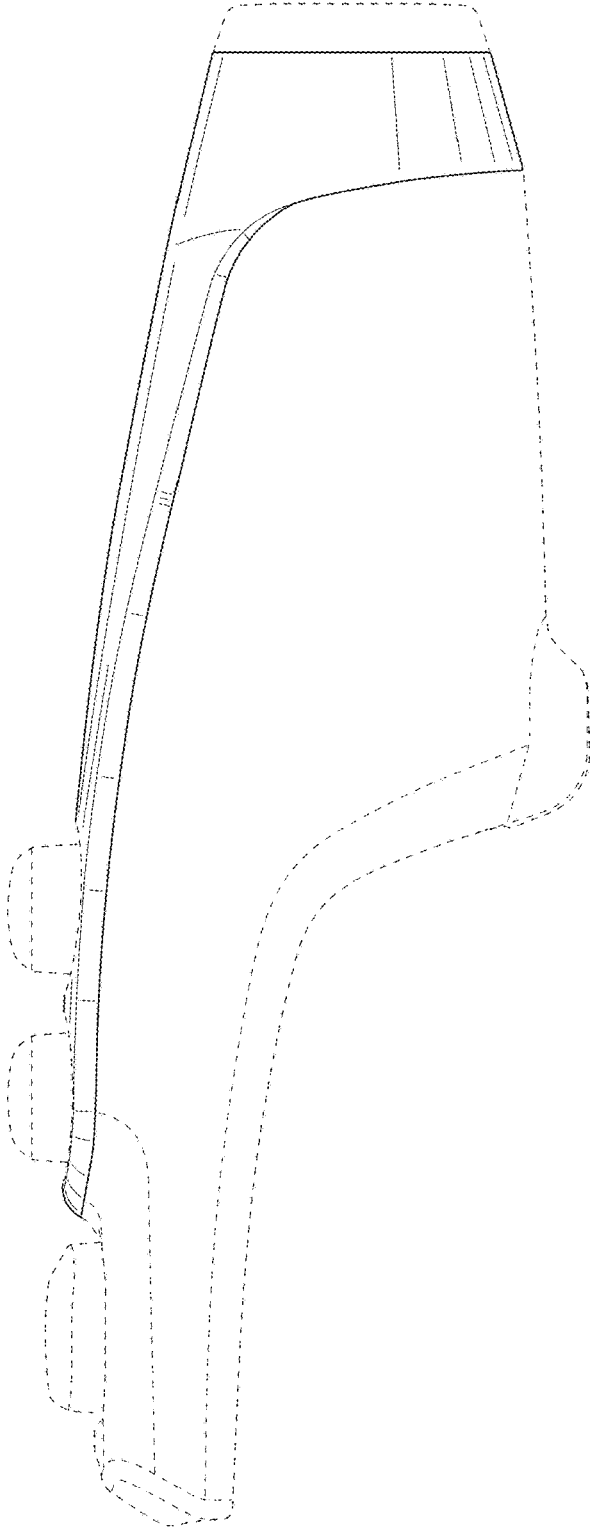


Fig. 4

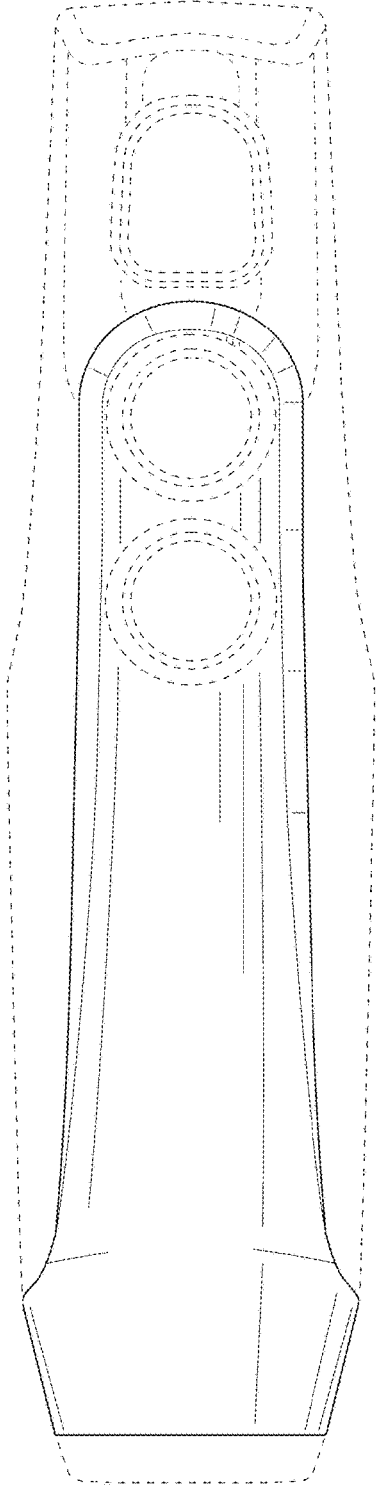


Fig. 5

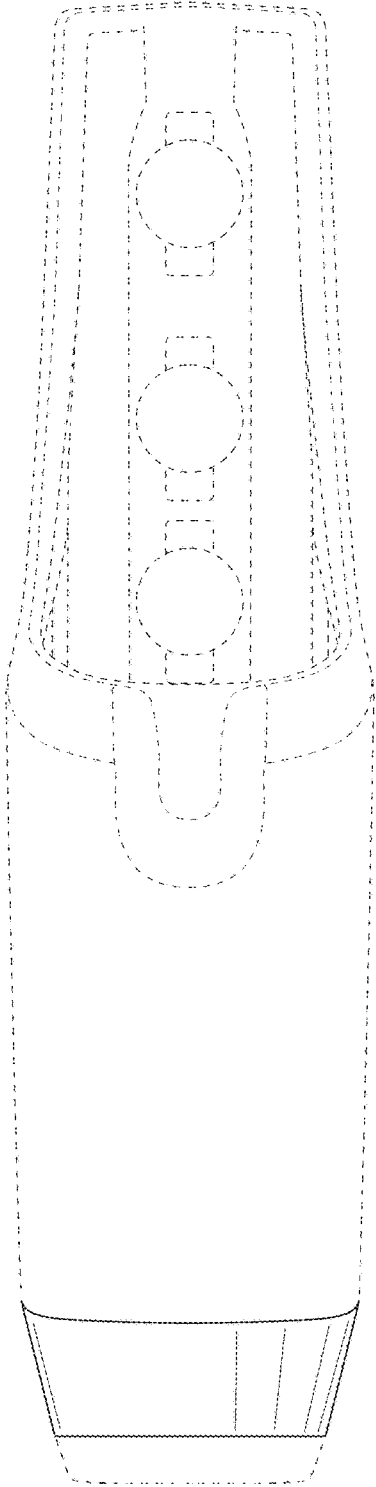


Fig. 6

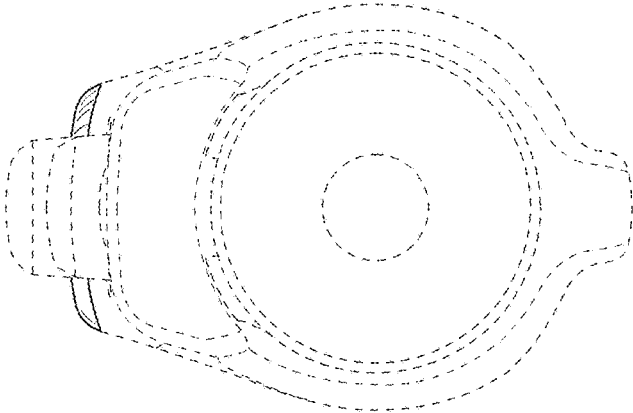


Fig. 8

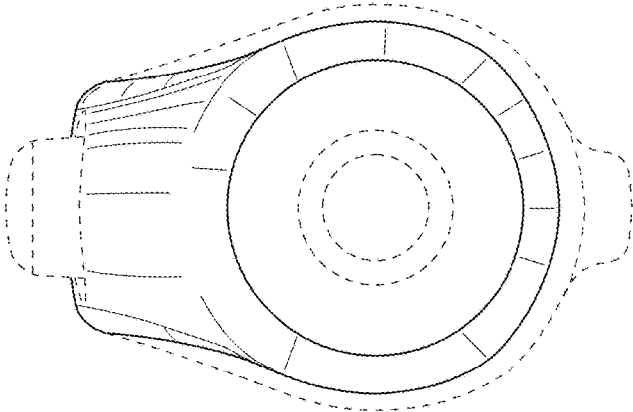


Fig. 7

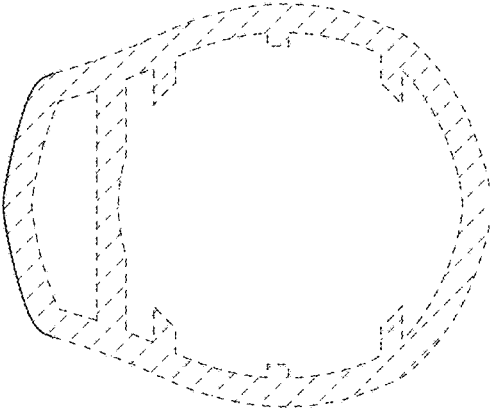


Fig. 10

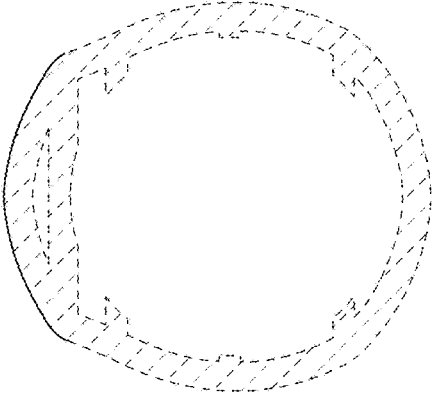


Fig. 9