



US00D689221S

(12) **United States Design Patent**
Isaac

(10) **Patent No.:** **US D689,221 S**

(45) **Date of Patent:** **** Sep. 3, 2013**

(54) **WATERPROOF LAMP**

(76) Inventor: **Rafi Isaac**, Beverly Hills, CA (US)

(**) Term: **14 Years**

(21) Appl. No.: **29/427,857**

(22) Filed: **Jul. 23, 2012**

(51) **LOC (9) Cl.** **26-05**

(52) **U.S. Cl.**
USPC **D26/24; D26/72**

(58) **Field of Classification Search**
USPC D26/1, 24, 72, 74, 80, 83, 85, 86,
D26/89, 91, 118, 120, 124, 128, 131, 135;
362/101, 133, 147, 267, 453-456, 507
See application file for complete search history.

(56) **References Cited**

U.S. PATENT DOCUMENTS

852,121	A	*	4/1907	Kelley	362/255
1,592,561	A	*	7/1926	Godley	362/339
D86,300	S	*	2/1932	Buschman	D26/2
2,604,579	A	*	7/1952	Deneboudes	362/101
D170,084	S	*	7/1953	Glatthar et al.	D26/89
4,394,716	A	*	7/1983	Campagna et al.	362/158
4,782,430	A	*	11/1988	Robbins et al.	362/562
D299,703	S	*	2/1989	Arai	D10/109.2
D341,441	S	*	11/1993	Shapiro	D26/118
D379,550	S	*	5/1997	Kuo	D26/131

6,419,376	B1	*	7/2002	Friebolin	362/335
D484,270	S	*	12/2003	Yiu	D26/89
D500,164	S	*	12/2004	Chen	D26/118
7,303,301	B2	*	12/2007	Koren et al.	362/101
7,445,352	B2	*	11/2008	Lin	362/101
7,568,817	B2	*	8/2009	Lee et al.	362/294
7,837,345	B2	*	11/2010	Choi et al.	362/101
D629,151	S	*	12/2010	Zaderej et al.	D26/118
D636,114	S	*	4/2011	De Lucchi	D26/128
8,123,372	B1	*	2/2012	Ball et al.	362/101
8,246,189	B2	*	8/2012	Muller et al.	362/101
8,434,927	B2	*	5/2013	Chien	362/641

* cited by examiner

Primary Examiner — Clare E Heflin

(74) *Attorney, Agent, or Firm* — QuickPatents; Kevin Prince

(57) **CLAIM**

I claim the ornamental design for a waterproof lamp, as shown and described.

DESCRIPTION

FIG. 1 is a top perspective view of a waterproof lamp, showing my new design;

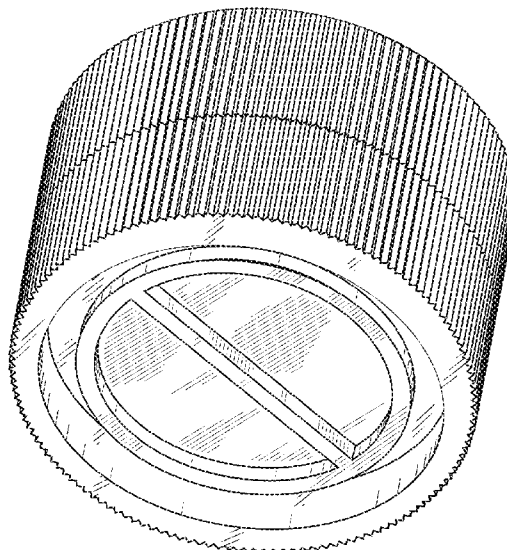
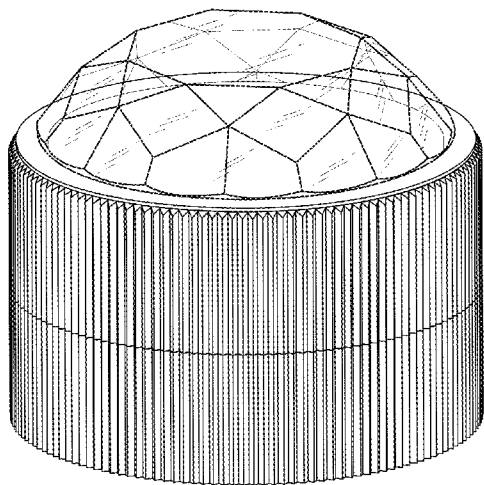
FIG. 2 is a bottom perspective view thereof;

FIG. 3 is a front elevational view thereof, the rear elevational view, left-side elevational view, and right-side elevational view all being identical thereto;

FIG. 4 is a top plan view thereof; and,

FIG. 5 is a bottom plan view thereof.

1 Claim, 3 Drawing Sheets



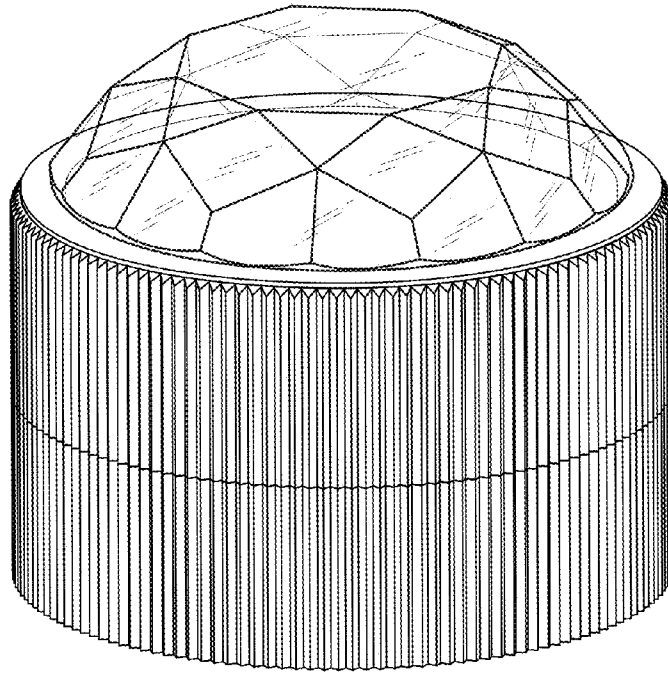


FIG. 1

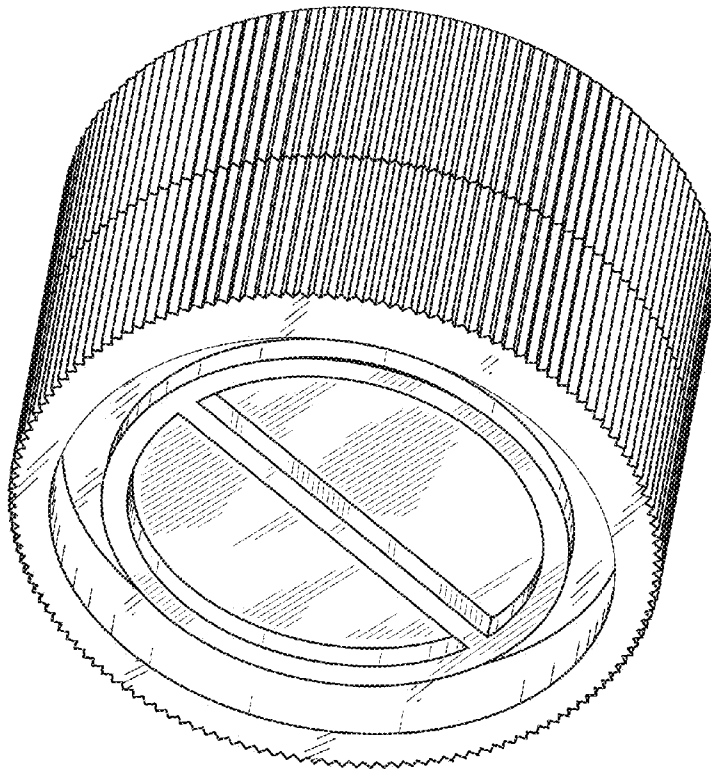


FIG. 2

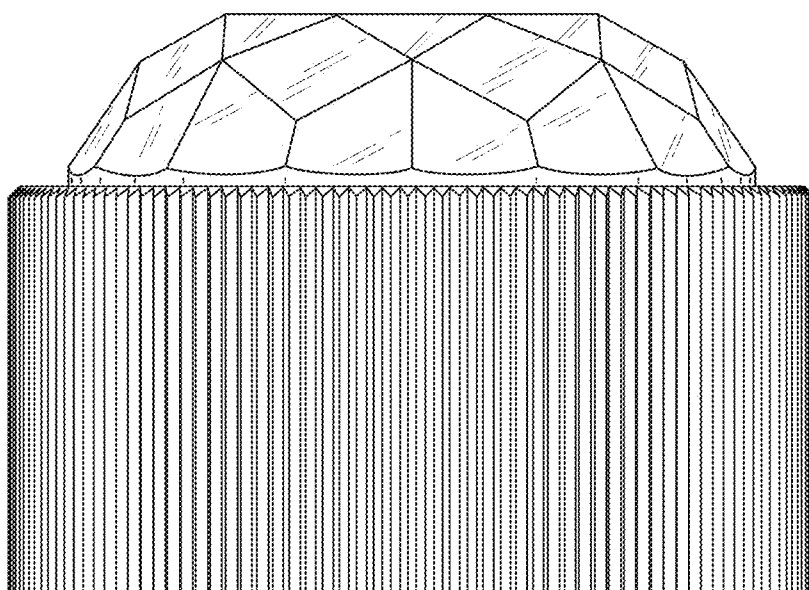


FIG. 3

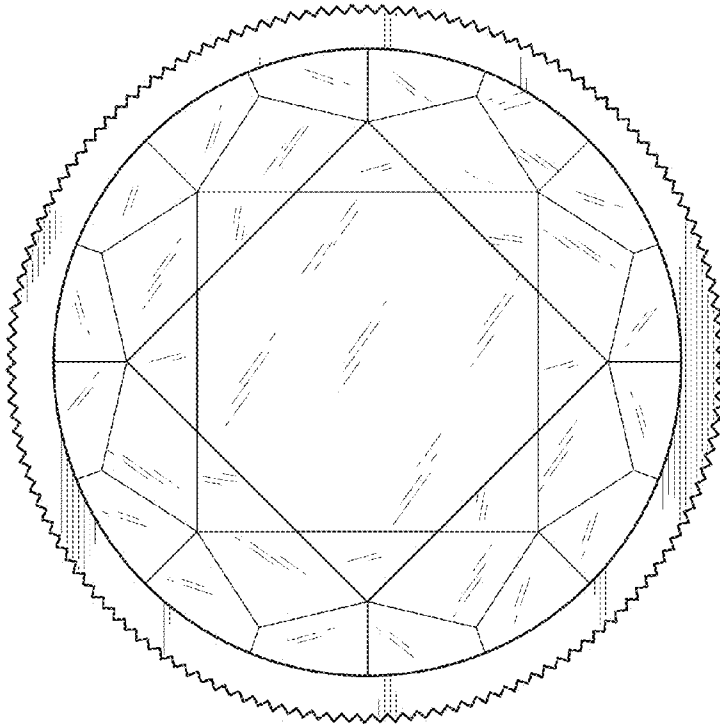


FIG. 4

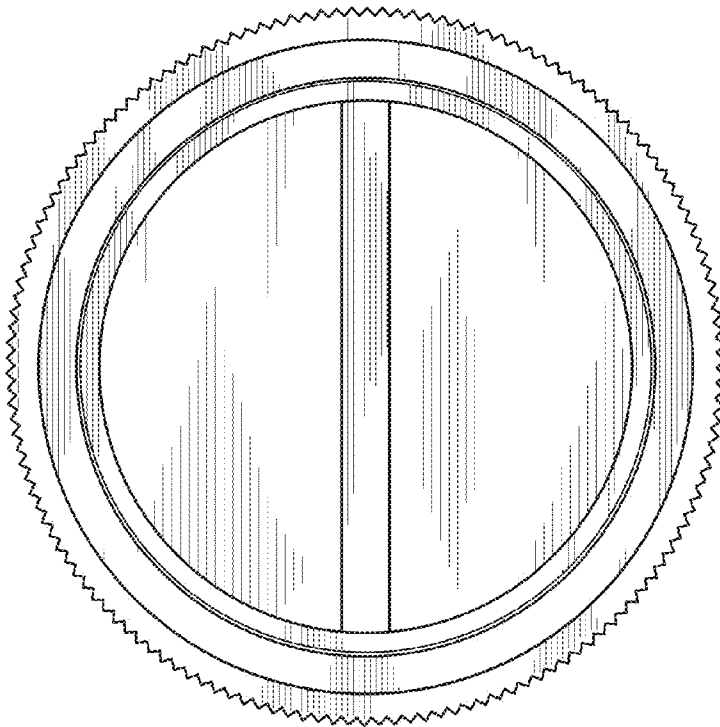


FIG. 5