



US00D565711S

(12) **United States Design Patent**  
**Giggs et al.**

(10) **Patent No.:** **US D565,711 S**

(45) **Date of Patent:** **\*\* Apr. 1, 2008**

(54) **SHOWER SADDLE**

(75) Inventors: **Julian Giggs**, Hillsdale, MI (US);  
**Michael Miller**, Portage, MI (US);  
**Victor Hoernig**, Lowell, IN (US);  
**Joseph S. Agati**, Chicago, IL (US)

(73) Assignee: **Alsons Corporation**, Hillsdale, MI (US)

(\*\*) Term: **14 Years**

(21) Appl. No.: **29/291,198**

(22) Filed: **Aug. 17, 2007**

(51) **LOC (8) Cl.** ..... **23-02**

(52) **U.S. Cl.** ..... **D23/304**

(58) **Field of Classification Search** ..... D23/228,  
D23/275, 283, 303-304; 4/546, 552, 559,  
4/567-569, 596-597, 615, 661; D9/363  
See application file for complete search history.

(56) **References Cited**

U.S. PATENT DOCUMENTS

D341,191 S \* 11/1993 Klose ..... D23/263  
D389,245 S \* 1/1998 Lopez ..... D24/204

D412,563 S \* 8/1999 Milrud ..... D23/304  
D425,608 S \* 5/2000 Haug et al. .... D23/304  
D489,798 S \* 5/2004 Hunt ..... D23/304

\* cited by examiner

*Primary Examiner*—Robert A. Delehanty

(74) *Attorney, Agent, or Firm*—Edgar A. Zarins; Lloyd D. Doigan

(57) **CLAIM**

The ornamental design for a shower saddle, as shown and described.

**DESCRIPTION**

FIG. 1 is a perspective view of a shower saddle showing our new design;

FIG. 2 is a rear view thereof;

FIG. 3 is a front view thereof;

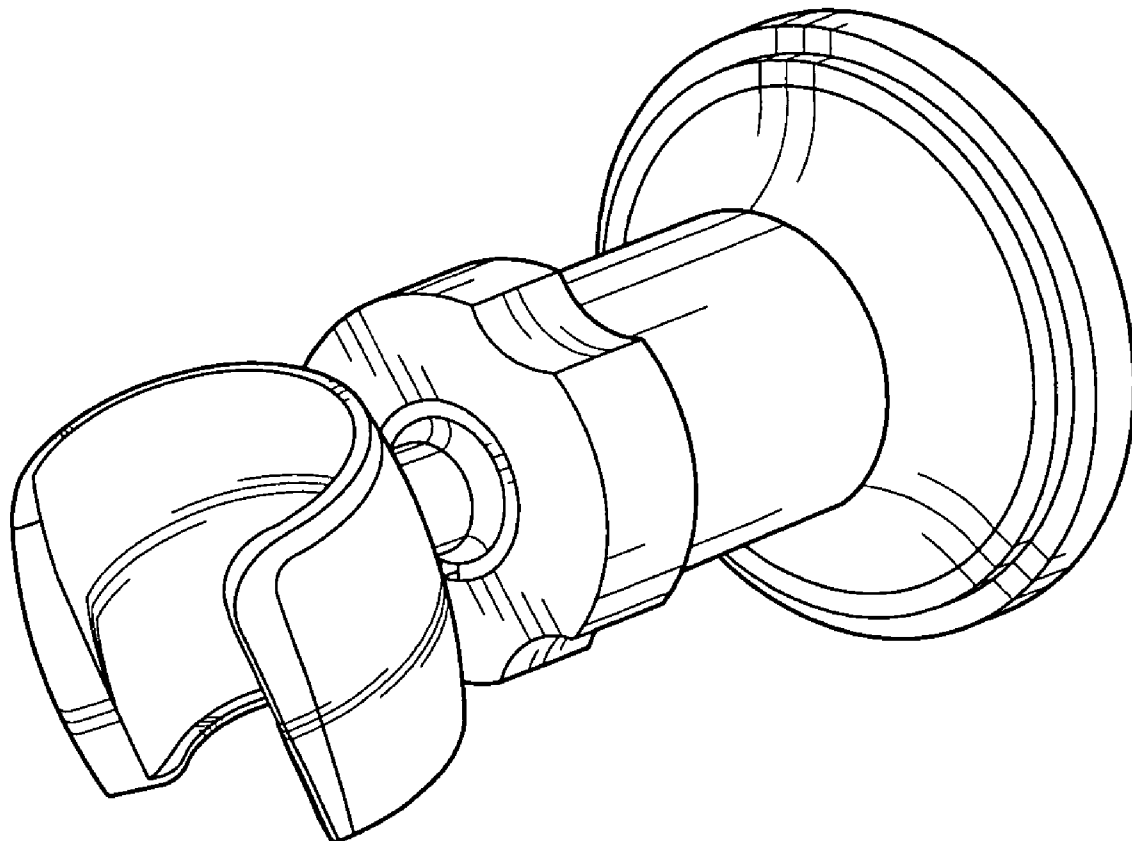
FIG. 4 is a left side view thereof;

FIG. 5 is a right side view thereof;

FIG. 6 is a bottom view thereof; and,

FIG. 7 is a top view thereof.

**1 Claim, 3 Drawing Sheets**



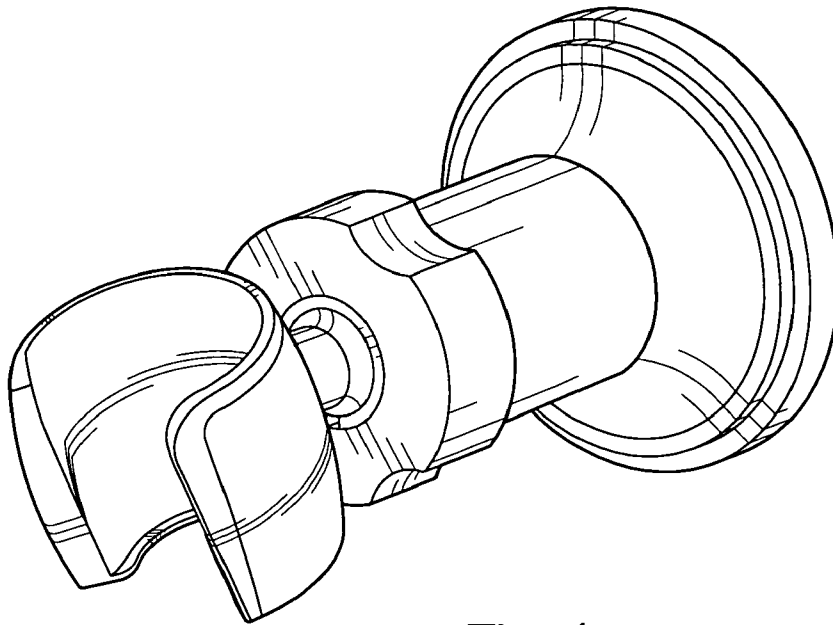


Fig-1

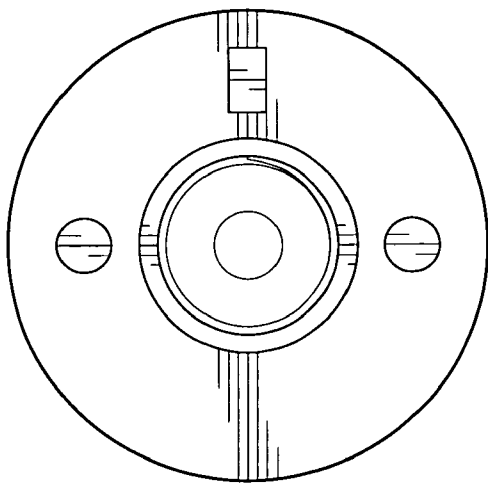


Fig-2

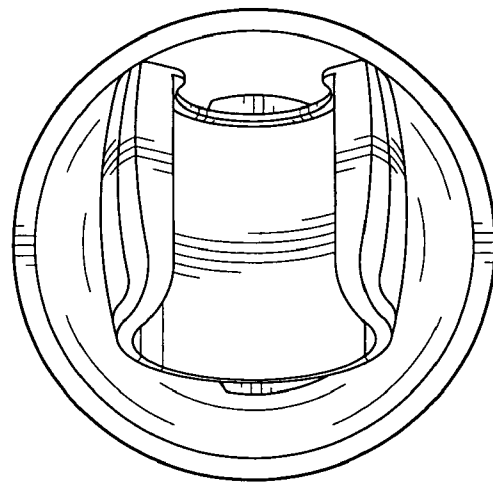


Fig-3

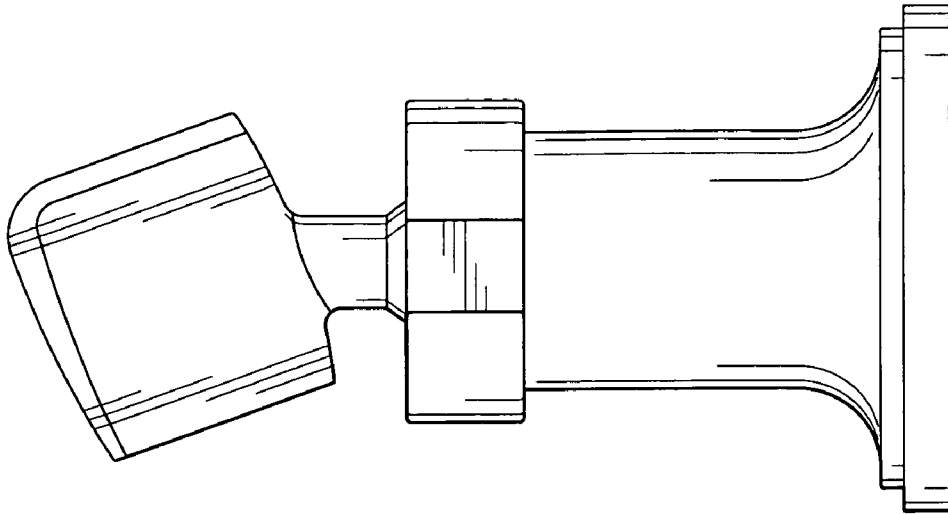


Fig-4

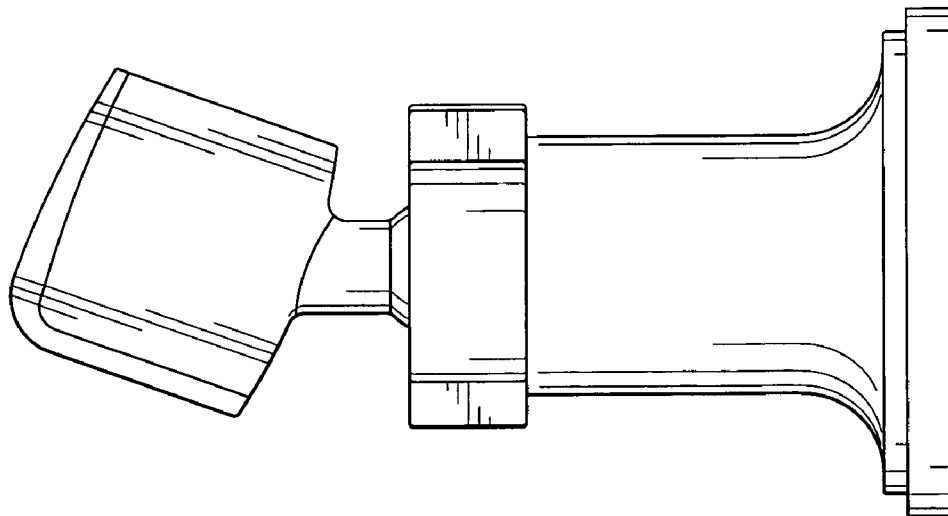


Fig-5

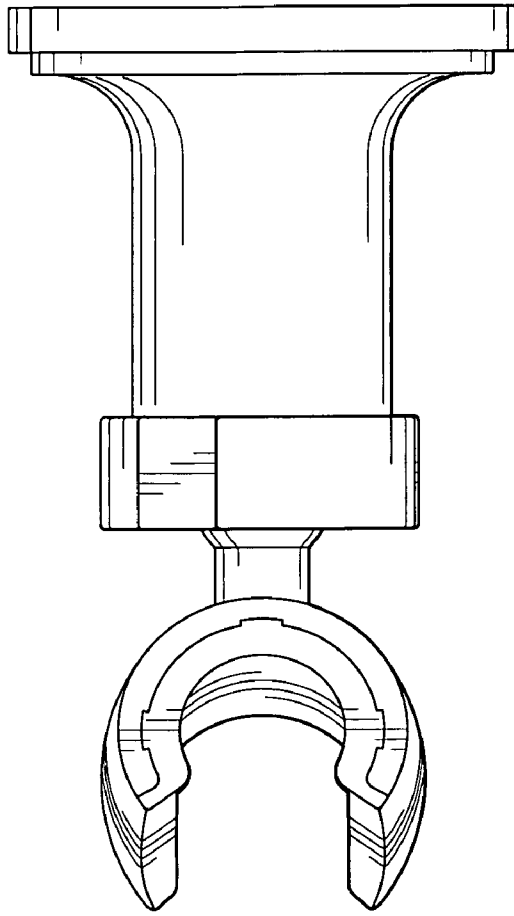


Fig-6

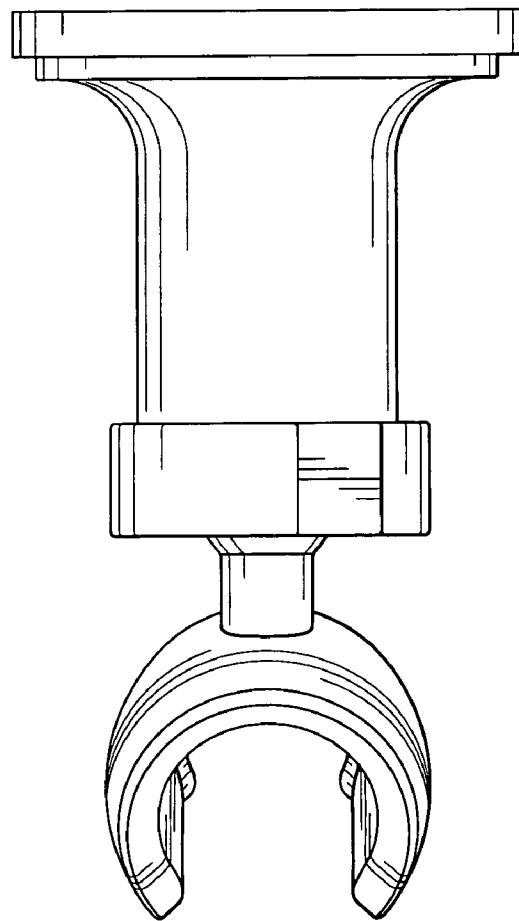


Fig-7