



US00D605349S

(12) **United States Design Patent**
Clark et al.

(10) **Patent No.:** **US D605,349 S**

(45) **Date of Patent:** **** Dec. 1, 2009**

(54) **CEILING HOOP**

(75) Inventors: **Jeremy A. Clark**, Minneapolis, MN (US); **Michael A. Whittier**, Minneapolis, MN (US); **David H. Cheney**, Shoreview, MN (US)

(73) Assignee: **Target Brands, Inc.**, Minneapolis, MN (US)

(**) Term: **14 Years**

(21) Appl. No.: **29/306,295**

(22) Filed: **Apr. 4, 2008**

(51) **LOC (9) Cl.** **26-99**

(52) **U.S. Cl.** **D26/152**

(58) **Field of Classification Search** D26/11, D26/118, 152, 88, 84, 85, 90, 142, 138, 143, D26/153, 110, 65, 145, 155, 87, 13, 19, 61, D26/72, 76, 91, 92, 93, 128, 129, 135, 140, D26/154; 362/402, 352, 147, 217, 257, 277, 362/285, 287, 317, 351, 355, 356, 370, 371, 362/395, 405, 410, 432

See application file for complete search history.

(56) **References Cited**

U.S. PATENT DOCUMENTS

D45,539 S *	3/1914	Meyers	D26/90
D264,136 S *	4/1982	Castiglioni	D26/85
4,528,764 A	7/1985	Cobb	
D319,320 S *	8/1991	Wilda	D26/85
D325,446 S *	4/1992	Collymore	D26/13
5,128,850 A	7/1992	Juodvalkis	
D340,313 S *	10/1993	Husted	D26/144
5,274,938 A	1/1994	McDonald et al.	
5,282,331 A	2/1994	Fell	
D372,551 S *	8/1996	Dolan	D26/81
5,772,314 A	6/1998	Brumer	
D403,460 S	12/1998	Littman et al.	
D403,799 S	1/1999	Dolan	
D421,507 S	3/2000	Borders et al.	
D430,331 S *	8/2000	Bleisch	D26/91
6,174,075 B1	1/2001	Fuwausa	
D439,365 S	3/2001	Hoffbauer	
D440,864 S	4/2001	Cropelli	
D441,119 S	4/2001	Crosby	

D445,940 S *	7/2001	Davis, Jr.	D26/81
D459,525 S *	6/2002	Barry	D26/88
D465,870 S	11/2002	Dolan	
D483,541 S	12/2003	Liu	
D494,705 S	8/2004	Tai	
D499,201 S	11/2004	Parres	
6,851,211 B2	2/2005	Sender	
7,150,539 B2	12/2006	Chen et al.	
D558,912 S *	1/2008	Crosby et al.	D26/88

OTHER PUBLICATIONS

Jeremy A. Clark et al., Rack Accessories, U.S. Appl. No. 12/098,330, filed Apr. 4, 2008.

Jeremy A. Clark et al., Tower Cover and Hoop Extender, U.S. Appl. No. 29/306,296, filed Apr. 4, 2008.

* cited by examiner

Primary Examiner—Cathron C Brooks

Assistant Examiner—Kevin K Rudzinski

(74) *Attorney, Agent, or Firm*—Griffiths & Seaton PLLC

(57) **CLAIM**

The ornamental design for a ceiling hoop, as shown and described.

DESCRIPTION

This application is related to co-pending U.S. patent application Ser. No. 12/098,330, filed on even date herewith, entitled Rack Accessories, the entire contents of which are incorporated herein by reference.

FIG. 1 is an isometric view of a ceiling hoop;

FIG. 2 is a front view thereof;

FIG. 3 is a right end view thereof, a left end view being a mirror image of the right end view;

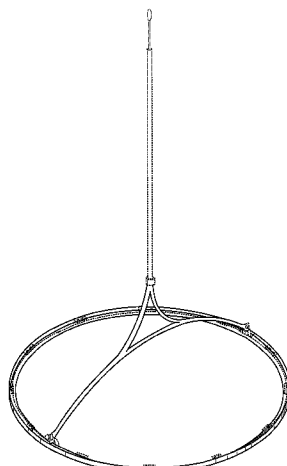
FIG. 4 is a top view thereof; and

FIG. 5 is a bottom view thereof; and,

FIG. 6 is an additional isometric view of a ceiling hoop having a shorter hanging assembly.

The broken lines shown are included for the purpose of illustrating environmental structures and form no part of the claimed design.

1 Claim, 6 Drawing Sheets



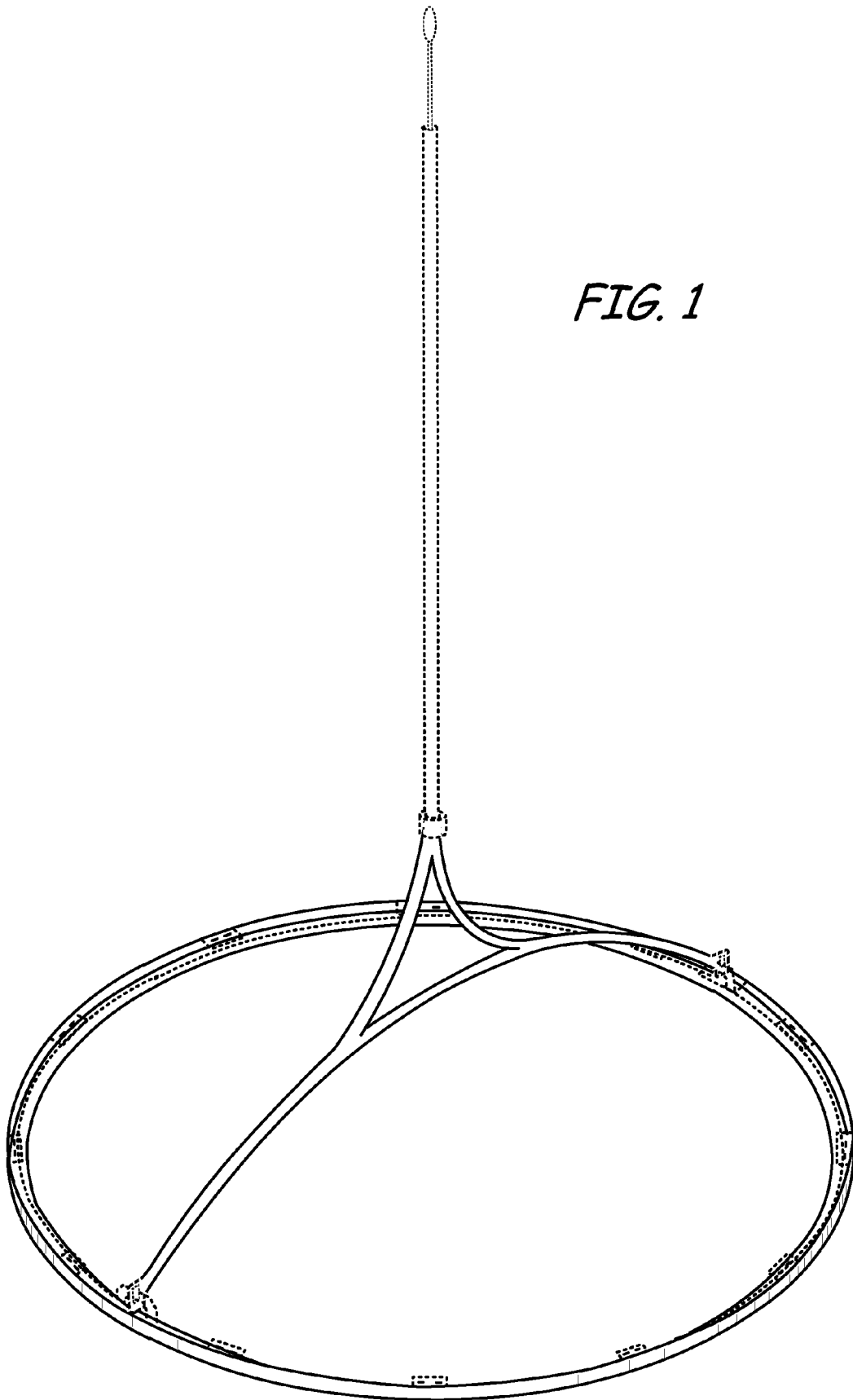
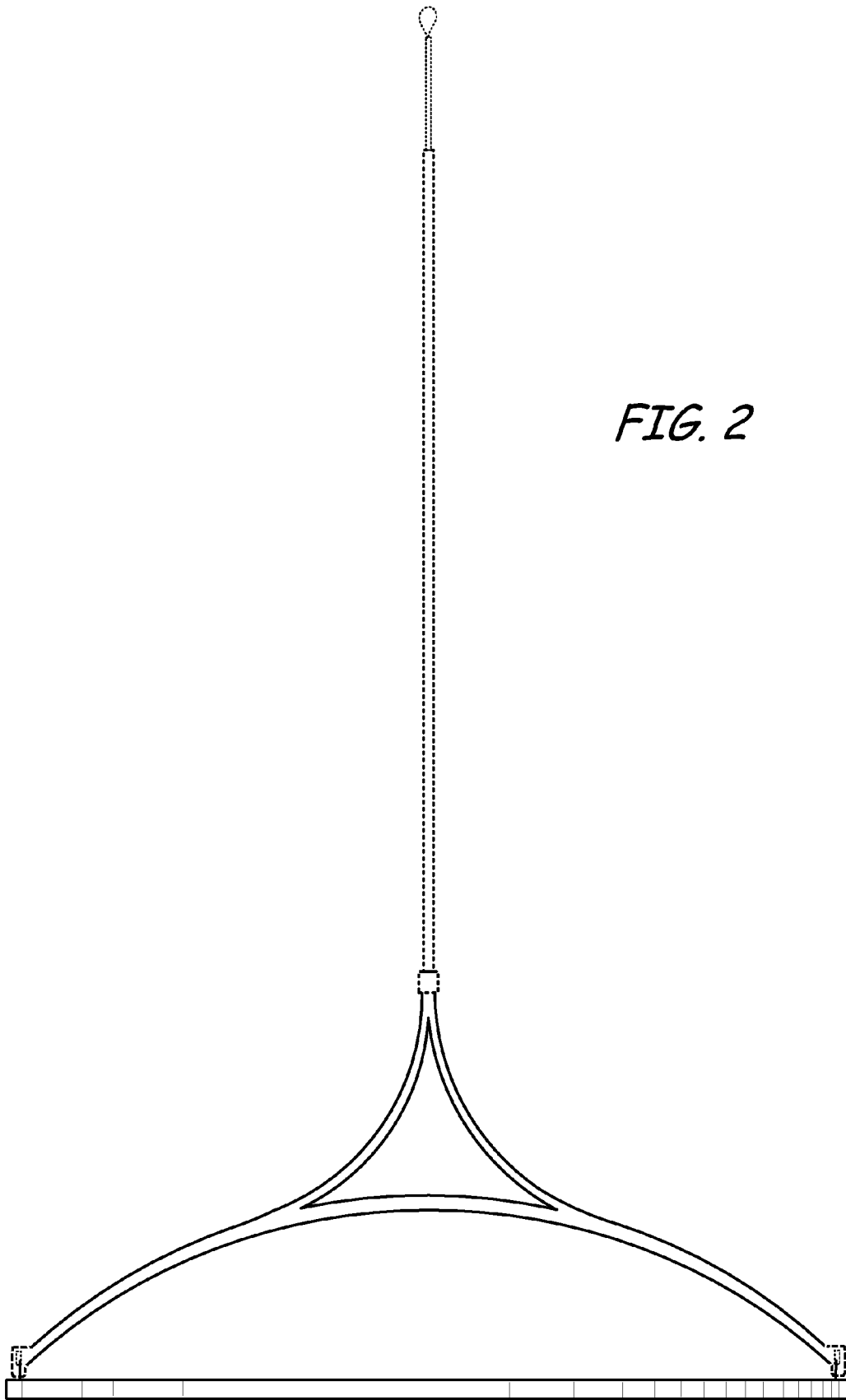


FIG. 1



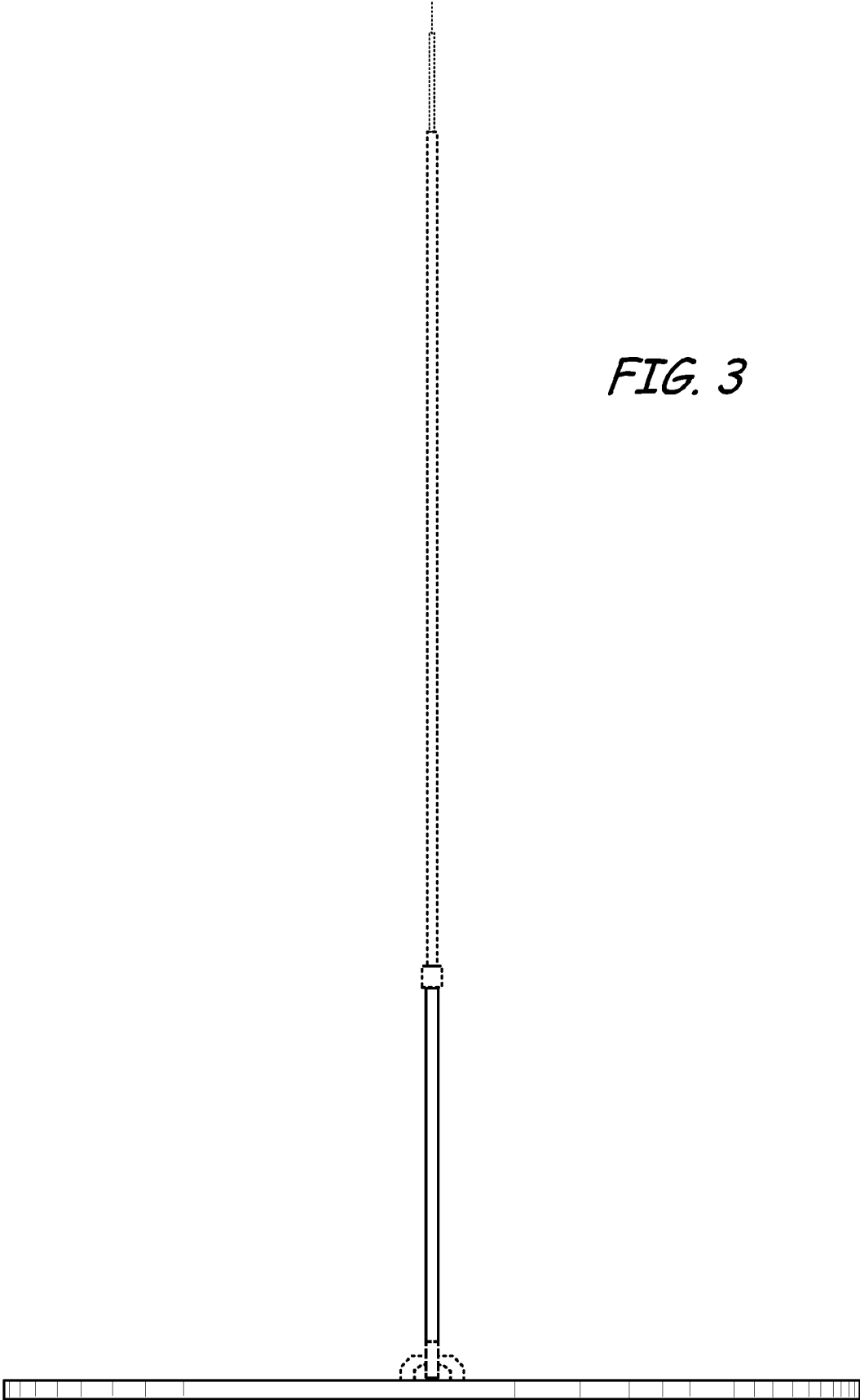


FIG. 3

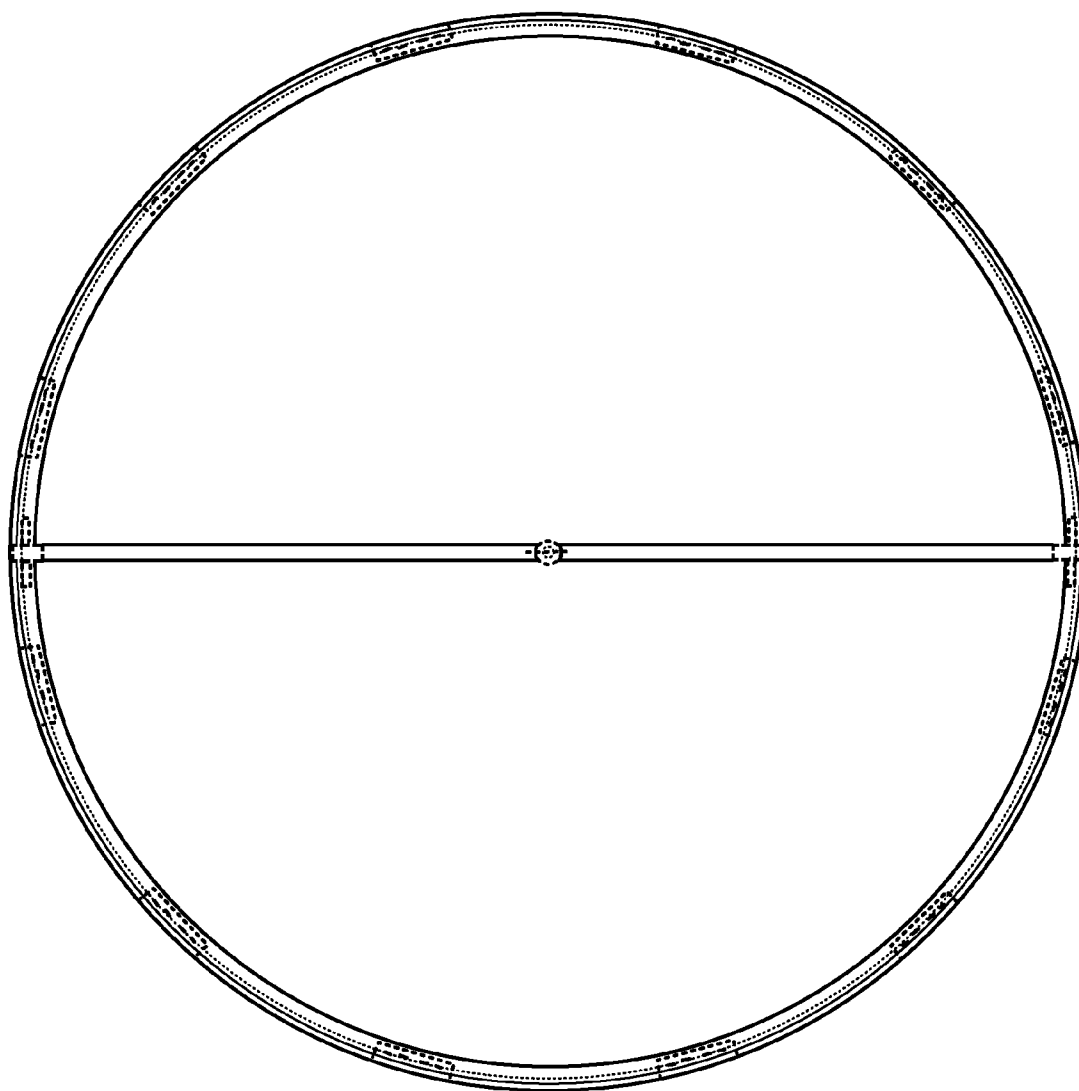


FIG. 4

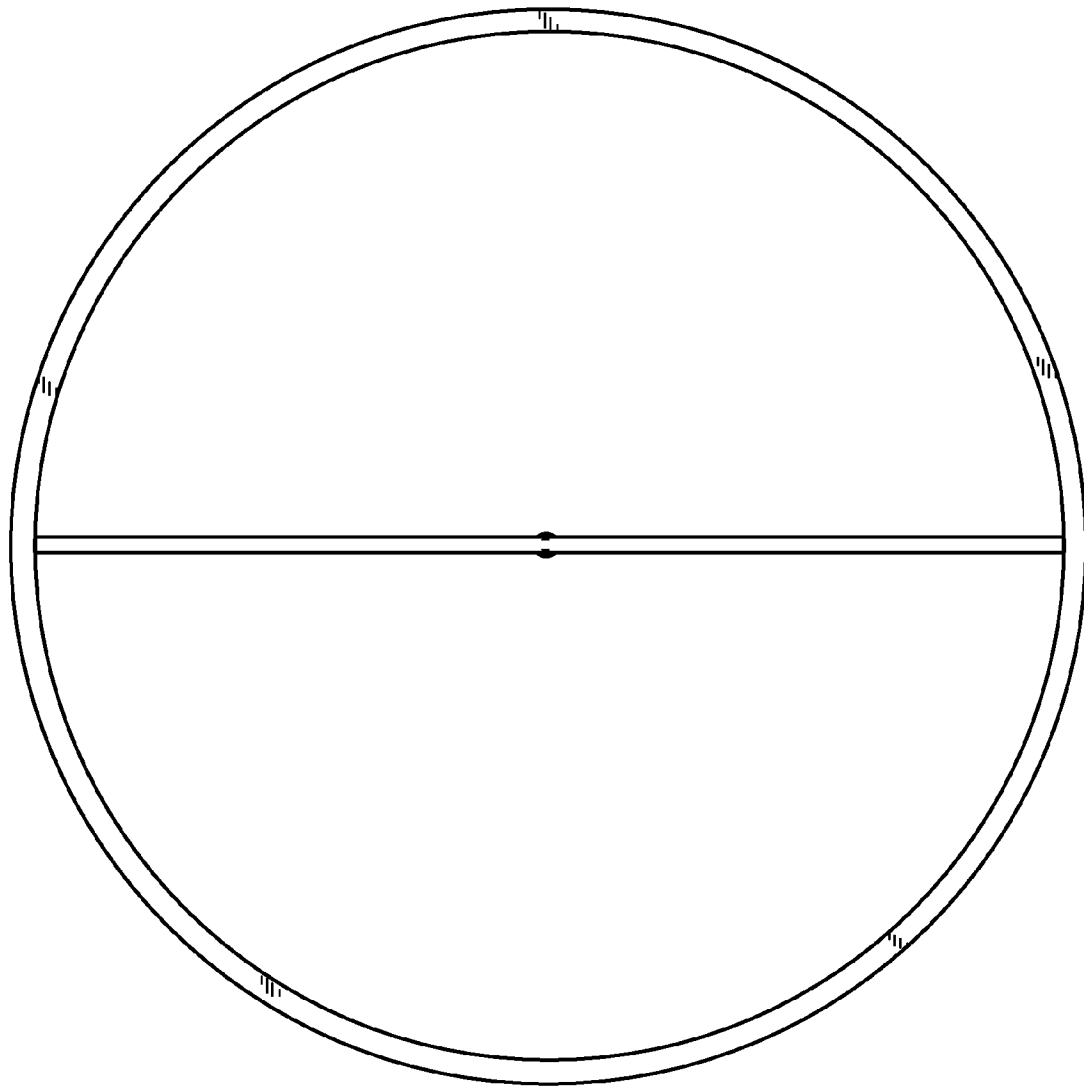


FIG. 5

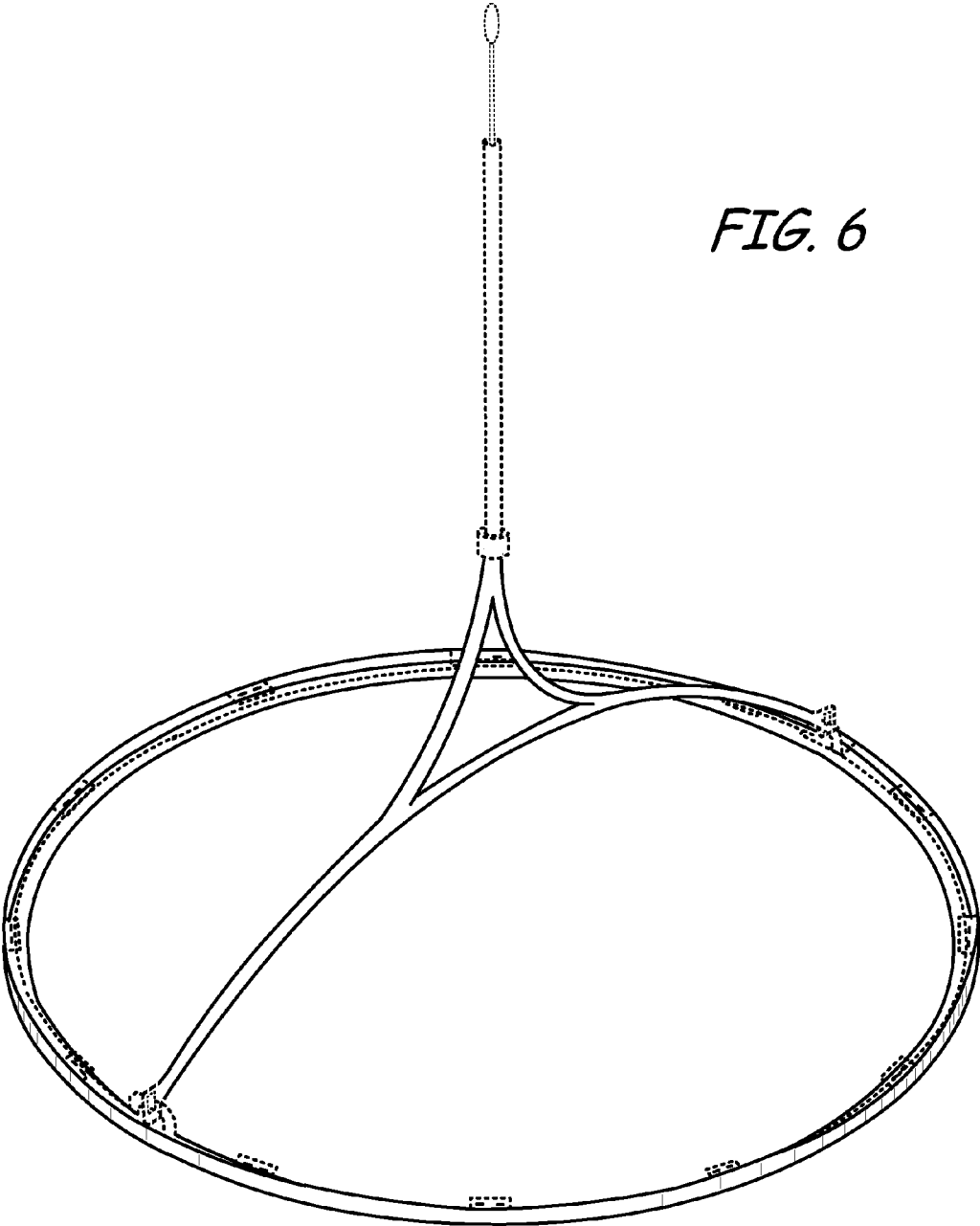


FIG. 6