



US0D1049837S

(12) **United States Design Patent**
Pieper et al.

(10) **Patent No.:** **US D1,049,837 S**

(45) **Date of Patent:** **** Nov. 5, 2024**

(54) **STORAGE PANEL CONNECTOR**

(71) Applicant: **Allsop, Inc.**, Bellingham, WA (US)

(72) Inventors: **Susan Pieper**, Salt Lake City, UT (US);
James Barlow, Wilson, WY (US);
Travis Dean, Meridian, ID (US); **John Koehler**, Jackson, WY (US)

(73) Assignee: **Allsop, Inc.**, Bellingham, WA (US)

(**) Term: **15 Years**

(21) Appl. No.: **29/855,238**

(22) Filed: **Sep. 30, 2022**

(51) **LOC (14) Cl.** **08-08**

(52) **U.S. Cl.**

USPC **D8/382**

(58) **Field of Classification Search**

USPC D8/382, 383, 385, 394, 384; D12/406,
D12/414.1, 415, 416, 418, 425, 426
CPC . B60R 7/043; B60R 7/14; F16B 12/10; F16B
19/02; F16M 11/041; F16M 13/022
See application file for complete search history.

(56) **References Cited**

U.S. PATENT DOCUMENTS

D130,420 S *	11/1941	Schlatter	D8/384
D194,373 S *	1/1963	Long	D8/384
3,338,555 A *	8/1967	Williams	E04G 17/0721
				D8/384
5,188,324 A *	2/1993	Joseph	A47B 96/068
				248/222.52
D349,235 S *	8/1994	Keller	D8/384
D369,958 S *	5/1996	Huang	D8/382
D412,047 S *	7/1999	Pigott	D8/383
D430,006 S *	8/2000	Finger, Jr.	D8/382
7,424,958 B1 *	9/2008	Eley	A47F 5/0815
				211/70.6
D632,553 S *	2/2011	South	D8/384

D678,167 S *	3/2013	Frost	D12/223
D727,719 S *	4/2015	Ribeiro	D8/382
D732,925 S *	6/2015	Lin	D8/382
D742,210 S *	11/2015	Carrubba	D8/382
9,193,063 B2 *	11/2015	Huang	F16B 2/14

(Continued)

FOREIGN PATENT DOCUMENTS

CN	303177094	*	4/2015
CN	305230403	*	6/2019
GB	6134539	*	7/2021

OTHER PUBLICATIONS

“Selby Snap-It Panel Connector” Feb. 13, 2005, Amazon, site visited Aug. 6, 2024: <https://www.amazon.com/Snap-It-Panel-Connector/dp/B00LI5OR0A> (Year: 2005).*

(Continued)

Primary Examiner — Jack Reickel

Assistant Examiner — Sydney M Evans

(74) *Attorney, Agent, or Firm* — Eric B. Fugett; Mark A. Pitchford; Pitchford Fugett, PLLC

(57)

CLAIM

The ornamental design for a storage panel connector as shown and described.

DESCRIPTION

FIG. 1 is a front perspective view of a storage panel connector showing our new design;

FIG. 2 is a back perspective view thereof;

FIG. 3 is a front view thereof;

FIG. 4 is a back view thereof;

FIG. 5 is a right side view thereof;

FIG. 6 is a left side view thereof;

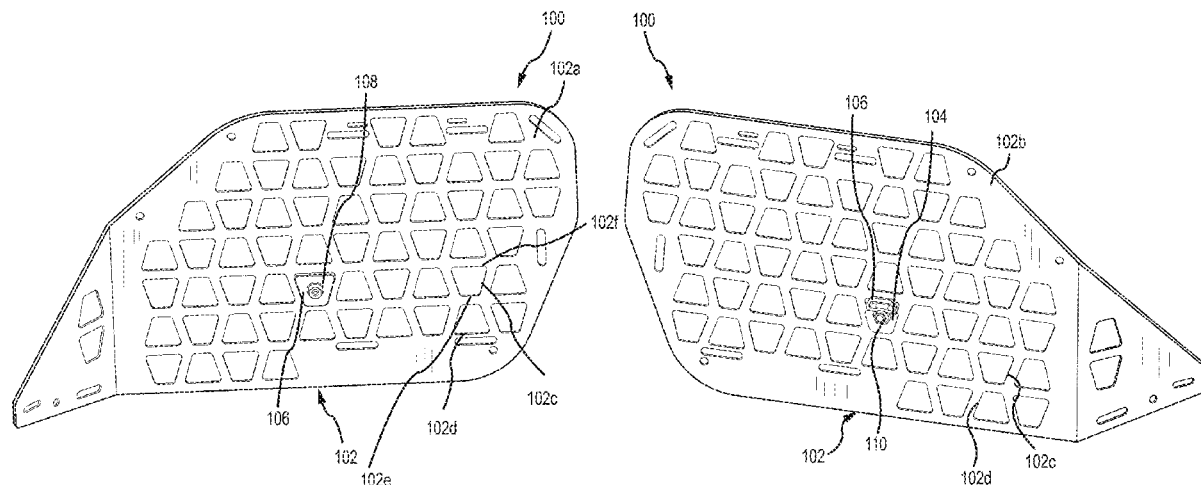
FIG. 7 is a top view thereof; and,

FIG. 8 is a bottom view thereof.

The figures illustrate a storage panel connector.

Features of the article that are not shown are disclaimed.

1 Claim, 7 Drawing Sheets



(56)

References Cited

U.S. PATENT DOCUMENTS

D772,698	S *	11/2016	Jun	D8/382
D808,784	S *	1/2018	Suzuki	D8/382
D843,192	S *	3/2019	Reed	D8/70
D884,929	S *	5/2020	Prado	D8/384
D904,949	S *	12/2020	Rago	D12/183
D924,122	S *	7/2021	Fisher	D12/406
D946,392	S *	3/2022	Lah	D8/382
11,457,991	B2 *	10/2022	Burmeister	A61B 50/20
11,940,092	B1 *	3/2024	Foutz	F16M 13/022
D1,020,423	S *	4/2024	Crook	D12/406
2022/0388451	A1 *	12/2022	Beenen	B60R 7/043

OTHER PUBLICATIONS

“Putco Venture Tec Molle Panel Mounting Plate” Aug. 13, 2021, Amazon, site visited Aug. 6, 2024: <https://www.amazon.com/Venture-Tec-Molle-Mounting-Plate/dp/B09CLTF972> (Year: 2021).*

“Maiker Rear Window Molle Panel Modular Storage Panel System” Mar. 11, 2022, Amazon, site visited Aug. 6, 2024: <https://www.amazon.com/MAIKER-Modular-Storage-Fastening-2010-2020/dp/B09VC4D1SW?th=1> (Year: 2022).*

“High Peak Molle Panel Mounting Plate” Aug. 6, 2024, streettracklife, site visited Aug. 6, 2024: <https://streettracklife.com/en-us/products/high-peak-molle-panel-mounting-plate?shpxid=1b68dcf1-4761-4d9c-a708-043204b0e1b1> (Year: 2024).*

* cited by examiner

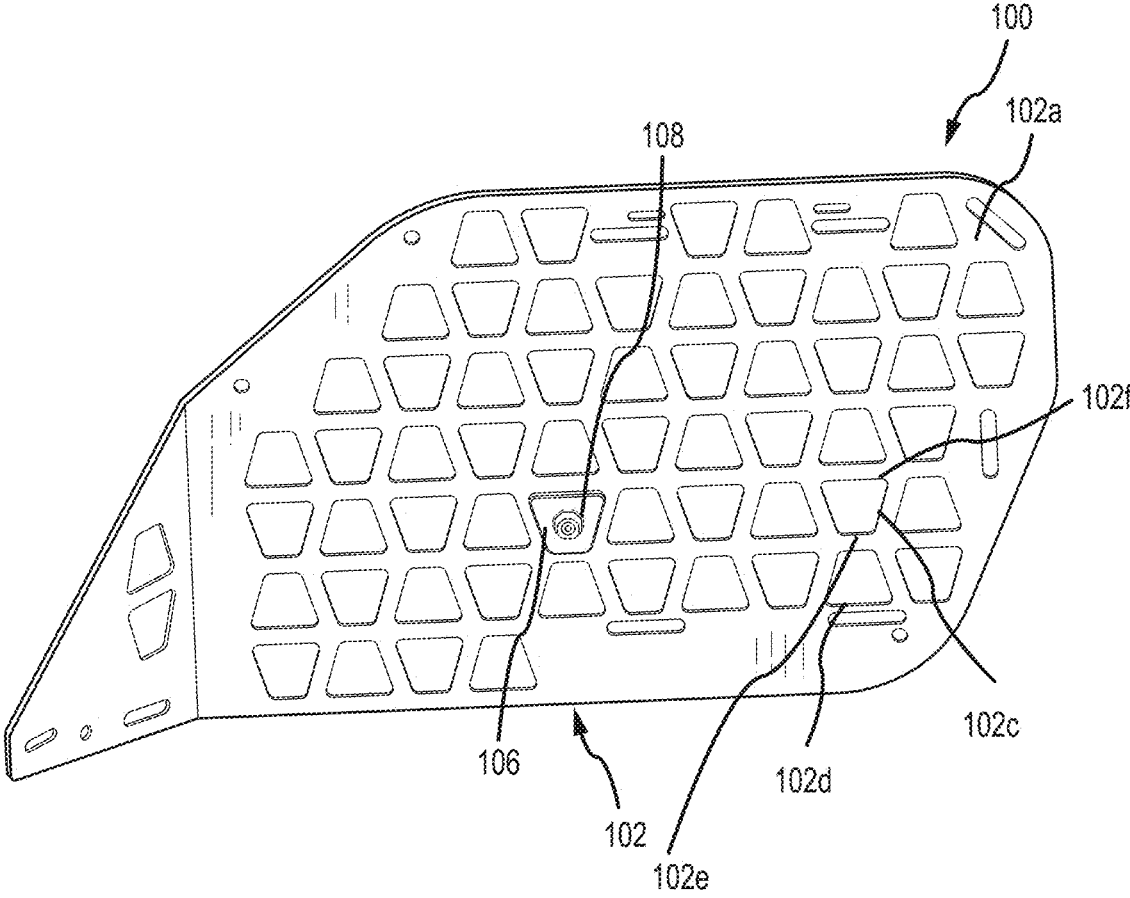


FIG.1

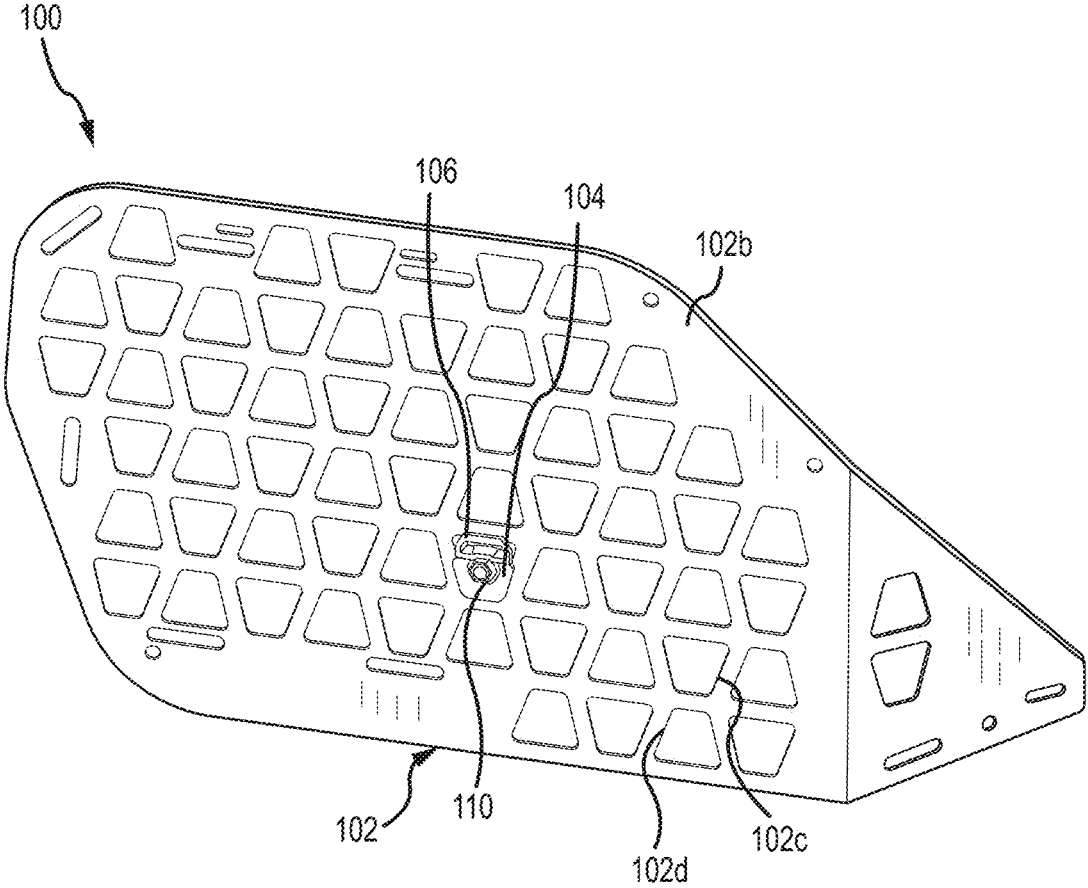


FIG. 2

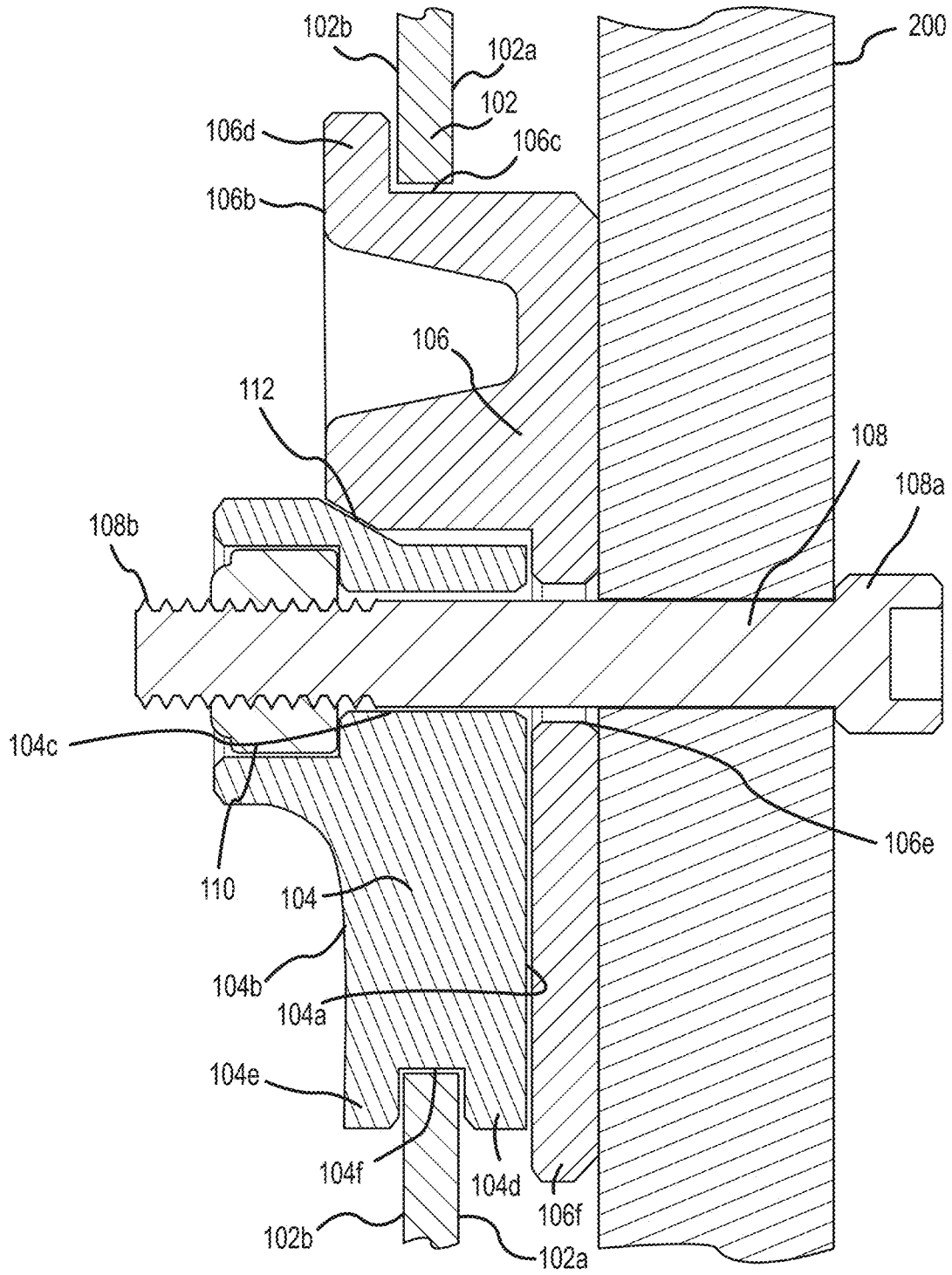


FIG.3

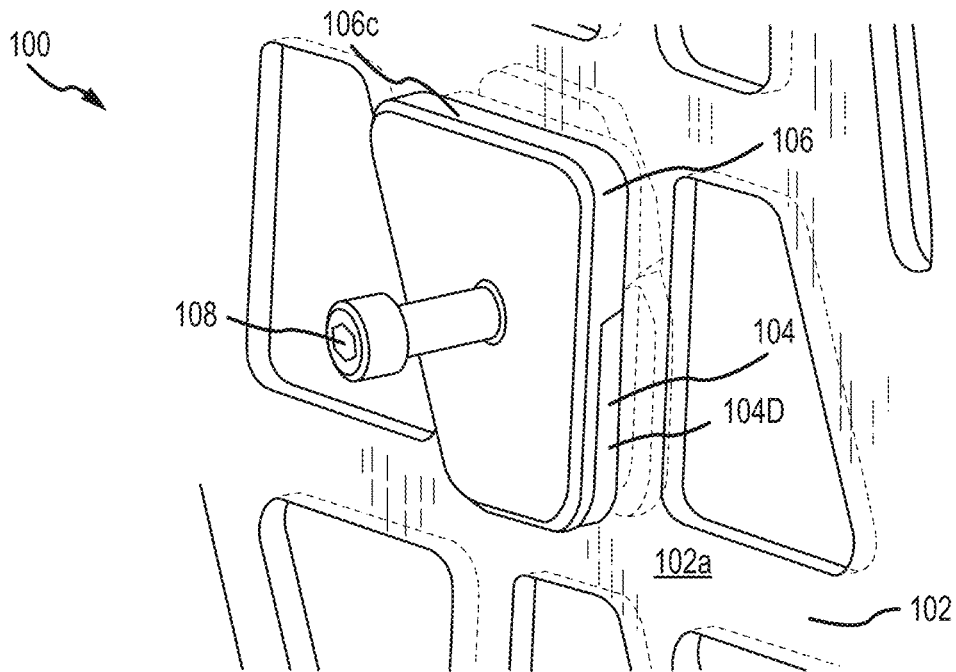


FIG. 4

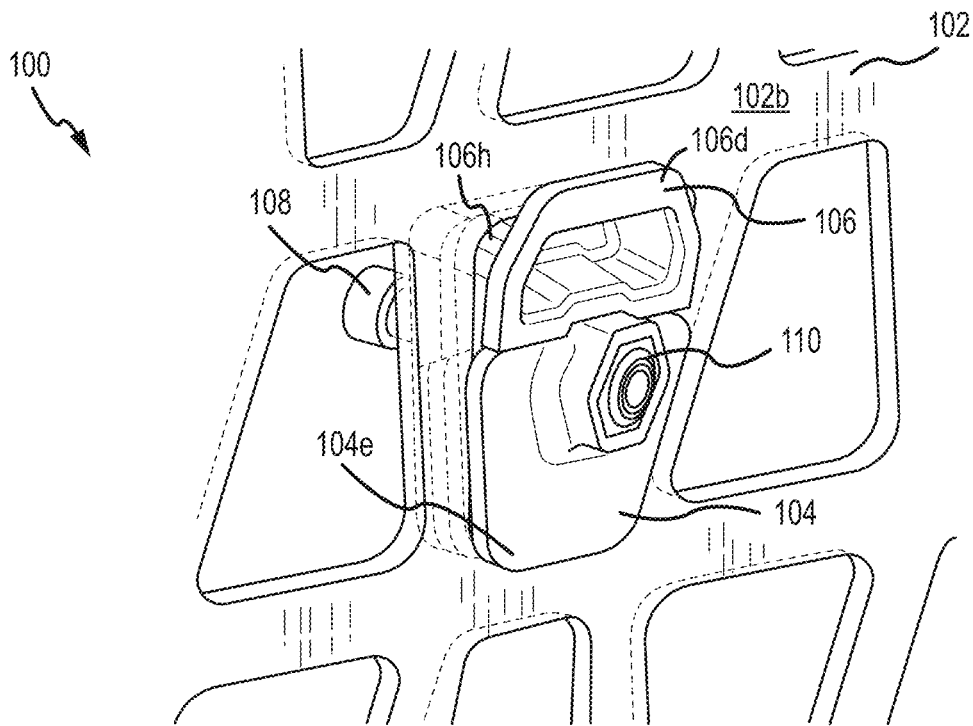


FIG. 5

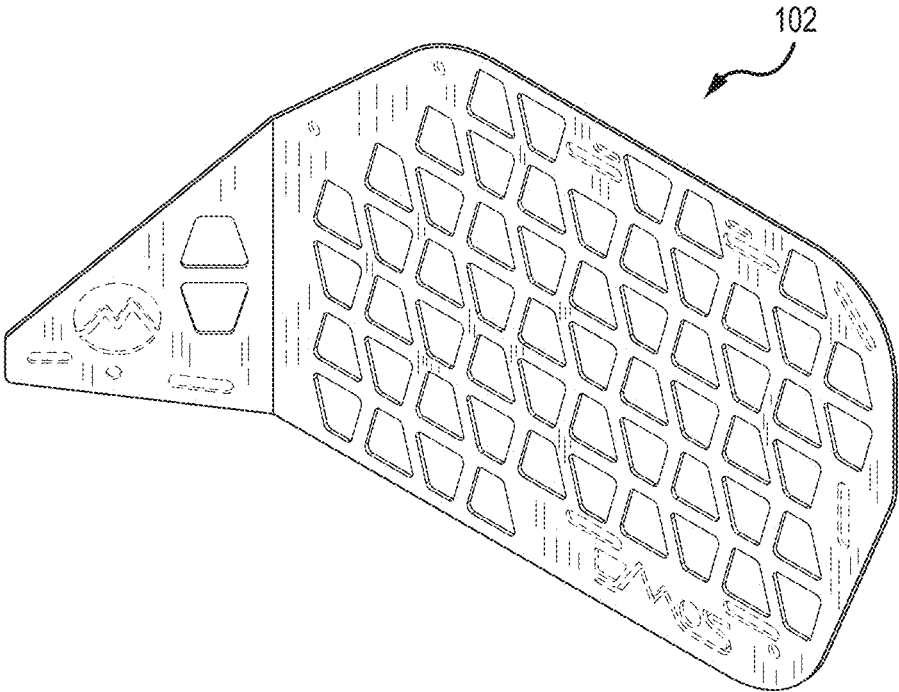


FIG. 6

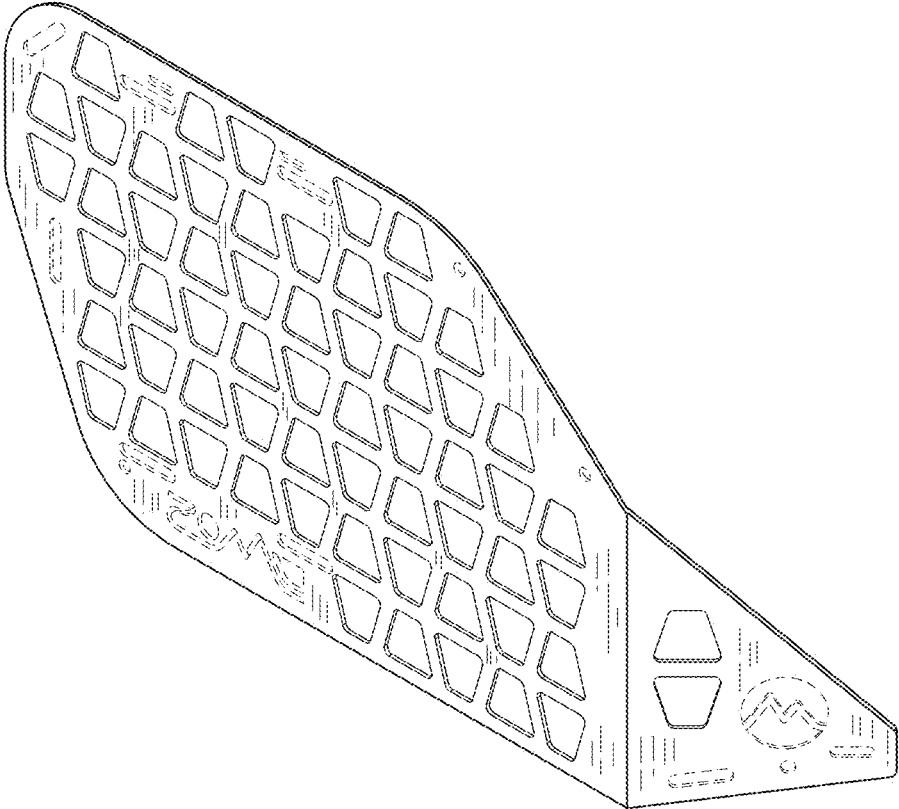


FIG.7

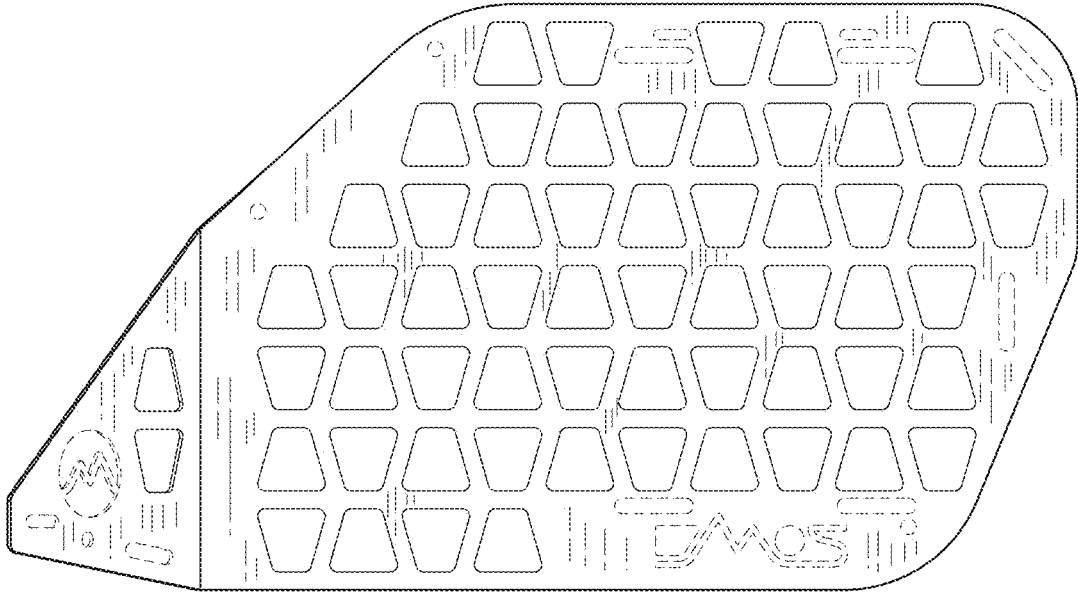


FIG.8