

(12) **United States Design Patent** (10) **Patent No.:** **US D827,920 S**
Fornarelli (45) **Date of Patent:** **** Sep. 4, 2018**

(54) **VAPORIZING ASSEMBLY**

(71) Applicant: **AVANZATO TECHNOLOGY CORP.**,
Chicago, IL (US)

(72) Inventor: **Thomas Fornarelli**, Chicago, IL (US)

(73) Assignee: **AVANZATO TECHNOLOGY CORP.**,
Chicago, IL (US)

(**) Term: **15 Years**

(21) Appl. No.: **29/543,463**

(22) Filed: **Oct. 23, 2015**

(51) **LOC (11) Cl.** **27-01**

(52) **U.S. Cl.**

USPC **D27/101; D27/194**

(58) **Field of Classification Search**

USPC D27/100, 101, 102, 103, 104, 105, 125,
D27/137, 162, 163-169, 170, 171,
(Continued)

(56) **References Cited**

U.S. PATENT DOCUMENTS

D590,988 S * 4/2009 Hon D27/101
D590,990 S * 4/2009 Hon D27/101
(Continued)

Primary Examiner — Brandon M Rosati

Assistant Examiner — Marissa J Cash

(74) *Attorney, Agent, or Firm* — Flener IP & Business
Law; Zareefa B. Flener

(57) **CLAIM**

The ornamental design for a vaporizing assembly, as shown and described.

DESCRIPTION

FIG. 1 is an exploded view of the tank of a vaporizing assembly in accordance with a first embodiment showing my new design;

FIG. 2 is a front view of the embodiment of FIG. 1 with the tank and seal hidden from view;

FIG. 3 is an exploded review view of the first embodiment in FIG. 1, shown in an alternate environment of use;

FIG. 4 is a rear view of the first embodiment in FIG. 2, shown in an alternate environment of use, with the tank and seal hidden from view;

FIG. 5 is an exploded side view of the vaporizing assembly as shown in FIGS. 1 and 7, the opposite side being a mirror image thereof;

FIG. 6 is a side view of the vaporizing assembly as shown in FIGS. 1 and 7, the opposite side being a mirror image thereof;

FIG. 7 is an exploded top elevational view of the tank and tank cover portion of the vaporizing assembly, shown in an alternate environment of use;

FIG. 8 is an exploded bottom elevational view of the tank and tank cover portion of the vaporizing assembly in FIG. 7;

FIG. 9 is a front elevational view of a second embodiment of a transparent tank of the vaporizing assembly, the rear elevational view being a mirror image thereof;

FIG. 10 is a front elevational view of a third embodiment of an opaque tank of the vaporizing assembly, the rear elevational view being a mirror image thereof;

FIG. 11 is a front elevational view of a fourth embodiment of a transparent tank of the vaporizing assembly, the rear elevational view being a mirror image thereof;

FIG. 12 is a front elevational view of a fifth embodiment of an opaque tank of the vaporizing assembly, the rear elevational view being a mirror image thereof;

FIG. 13 is a front elevational view of a sixth embodiment of a transparent tank of the vaporizing assembly, the rear elevational view being a mirror image thereof;

FIG. 14 is a front elevational view of a seventh embodiment of an opaque tank of the vaporizing assembly, the rear elevational view being a mirror image thereof;

FIG. 15 is a bottom plan view of a sealed transparent tank portion of the vaporizing assembly;

FIG. 16 is a bottom plan view of a sealed opaque tank portion of the vaporizing;

FIG. 17 is a top plan view of a transparent tank portion of the vaporizing assembly;

(Continued)

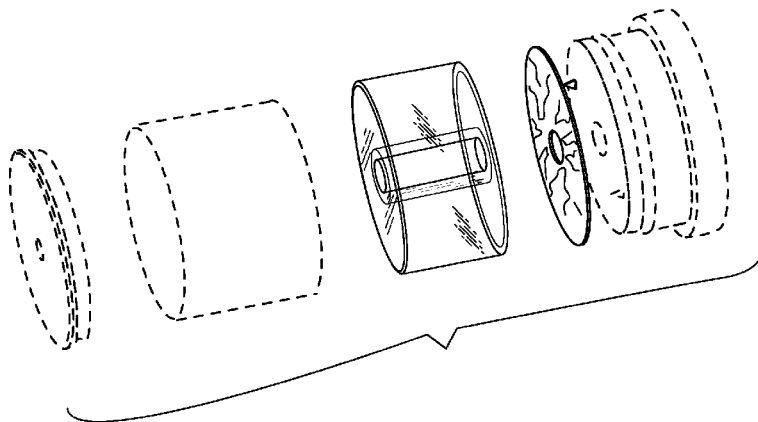


FIG. 18 is a top plan view of a sealed tank portion of the vaporizing assembly, the top plan view of the sealed opaque tank portion being the same;

FIG. 19 is a front elevational view of a sealed transparent tank portion of the vaporizing assembly, the rear elevational view being a mirror image thereof; and,

FIG. 20 is a front elevational view of a seal opaque tank portion of the vaporizing assembly, the rear elevational view being a mirror image thereof.

In the drawings, the broken lines depict environmental subject matter only and form no part of the claimed design.

1 Claim, 7 Drawing Sheets

(58) **Field of Classification Search**

USPC D27/172-194; D23/366; D13/103;
D9/452, 453, 454, 457
CPC A24F 1/30; A24F 5/04; A24F 9/00; A24F
47/002; A24F 47/008; A24F 7/00; A61M
15/0021

See application file for complete search history.

(56) **References Cited**

U.S. PATENT DOCUMENTS

| | | | | | | |
|-----------|----|---|--------|----------|---------------------------------|---------|
| D590,991 | S | * | 4/2009 | Hon | | D27/101 |
| D652,987 | S | * | 1/2012 | Kaljura | | D27/101 |
| D653,390 | S | * | 1/2012 | Kaljura | | D27/101 |
| D683,897 | S | * | 6/2013 | Liu | | D27/170 |
| D723,215 | S | * | 2/2015 | Chen | | D27/101 |
| D723,216 | S | * | 2/2015 | Chen | | D27/101 |
| 8,955,522 | B1 | * | 2/2015 | Bowen | A24F 47/008 128/202.21 | |
| D725,821 | S | * | 3/2015 | Levin | | D27/101 |
| D725,822 | S | * | 3/2015 | Liu | | D27/101 |
| D728,154 | S | * | 4/2015 | Lavanchy | | D27/100 |
| D728,155 | S | * | 4/2015 | Liu | | D27/101 |
| D728,156 | S | * | 4/2015 | Wu | | D27/101 |
| D750,834 | S | * | 3/2016 | Wei | | D27/101 |
| D750,835 | S | * | 3/2016 | Wei | | D27/101 |
| D755,440 | S | * | 5/2016 | Collen | | D27/163 |
| D757,994 | S | * | 5/2016 | Moradian | | D27/101 |

| | | | | | | |
|--------------|----|---|---------|-------------|-------------------|---------|
| D759,296 | S | * | 6/2016 | Abroff | | D27/101 |
| D760,947 | S | * | 7/2016 | Hearn | | D27/101 |
| D764,702 | S | * | 8/2016 | Di Bari | | D27/101 |
| D768,915 | S | * | 10/2016 | Wright | | D27/101 |
| D773,727 | S | * | 12/2016 | Eksouzian | | D27/101 |
| D773,729 | S | * | 12/2016 | Jordan | | D27/194 |
| D776,337 | S | * | 1/2017 | Levin | | D27/101 |
| D779,722 | S | * | 2/2017 | Volodarsky | | D27/162 |
| D782,728 | S | * | 3/2017 | Pinder | | D27/101 |
| D782,729 | S | * | 3/2017 | Wright | | D27/101 |
| D784,609 | S | * | 4/2017 | Liu | | D27/101 |
| D790,122 | S | * | 6/2017 | Hawes | | D27/101 |
| D790,126 | S | * | 6/2017 | Bennett | | D27/101 |
| D792,021 | S | * | 7/2017 | Beer | | D27/101 |
| D792,645 | S | * | 7/2017 | Fornarelli | | D27/167 |
| D797,369 | S | * | 9/2017 | Yamada | | D27/101 |
| D799,110 | S | * | 10/2017 | Qiu | | D27/101 |
| D799,112 | S | * | 10/2017 | Qiu | | D27/101 |
| D799,113 | S | * | 10/2017 | Qiu | | D27/101 |
| D799,745 | S | * | 10/2017 | Qiu | | D27/101 |
| D802,207 | S | * | 11/2017 | Bramley | | D27/170 |
| D803,475 | S | * | 11/2017 | Scheiber | | D27/101 |
| D804,090 | S | * | 11/2017 | Verleur | | D27/101 |
| D804,091 | S | * | 11/2017 | Fornarelli | | D27/101 |
| D805,246 | S | * | 12/2017 | Fakhouri | | D27/101 |
| D808,580 | S | * | 1/2018 | Kwitel | | D27/101 |
| D809,189 | S | * | 1/2018 | Liu | | D27/101 |
| D809,190 | S | * | 1/2018 | Schuler | | D27/101 |
| D810,355 | S | * | 2/2018 | Liu | | D27/101 |
| D811,004 | S | * | 2/2018 | Yamada | | D27/101 |
| D811,651 | S | * | 2/2018 | Abroff | | D27/101 |
| D812,807 | S | * | 3/2018 | Thuery | | D27/101 |
| D813,445 | S | * | 3/2018 | Scott | | D27/101 |
| D813,446 | S | * | 3/2018 | Moor | | D27/101 |
| D813,447 | S | * | 3/2018 | Watson | | D27/162 |
| D814,102 | S | * | 3/2018 | Lehoux | | D27/101 |
| D814,103 | S | * | 3/2018 | Levinson | | D27/101 |
| D815,339 | S | * | 4/2018 | Wallace | | D27/101 |
| D815,341 | S | * | 4/2018 | Qiu | | D27/101 |
| D815,342 | S | * | 4/2018 | Sutton | | D27/169 |
| D816,267 | S | * | 4/2018 | Fornarelli | | D27/101 |
| 2017/0027230 | A1 | * | 2/2017 | Fornarelli | A24F 47/008 | |
| 2017/0105451 | A1 | * | 4/2017 | Fornarelli | A24F 47/008 | |
| 2017/0251720 | A1 | * | 9/2017 | Heidenreich | A24F 1/28 | |
| 2017/0332701 | A1 | * | 11/2017 | Fornarelli | A24F 47/008 | |
| 2017/0354180 | A1 | * | 12/2017 | Fornarelli | A24F 47/008 | |

* cited by examiner

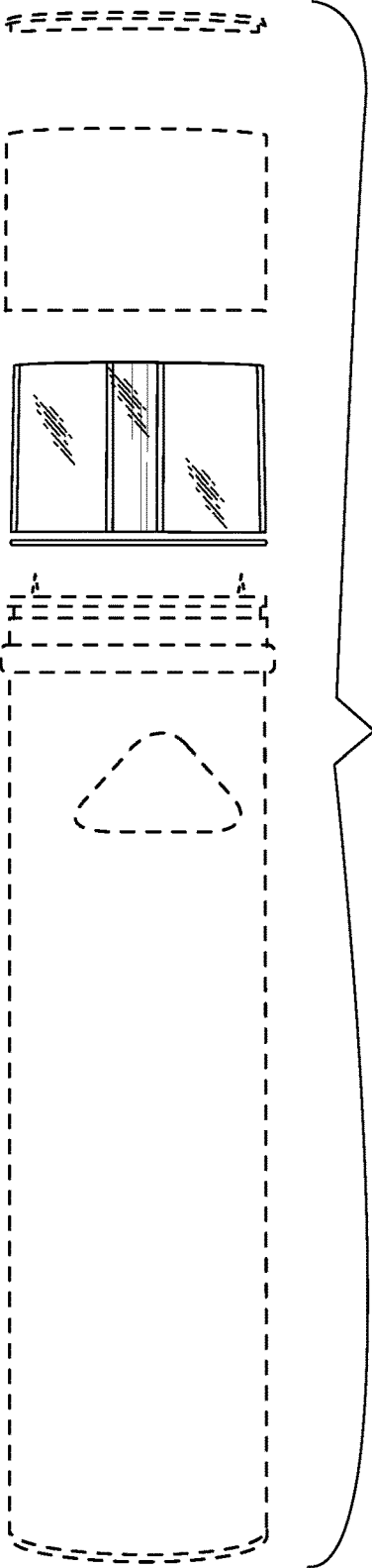


FIG. 1

FIG. 2

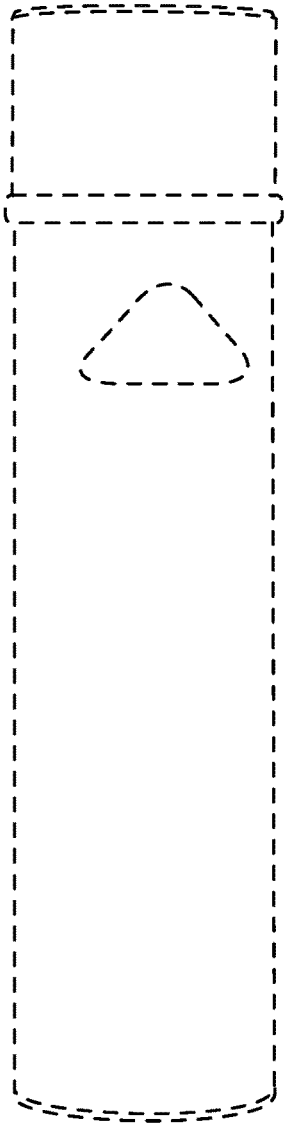


FIG. 3

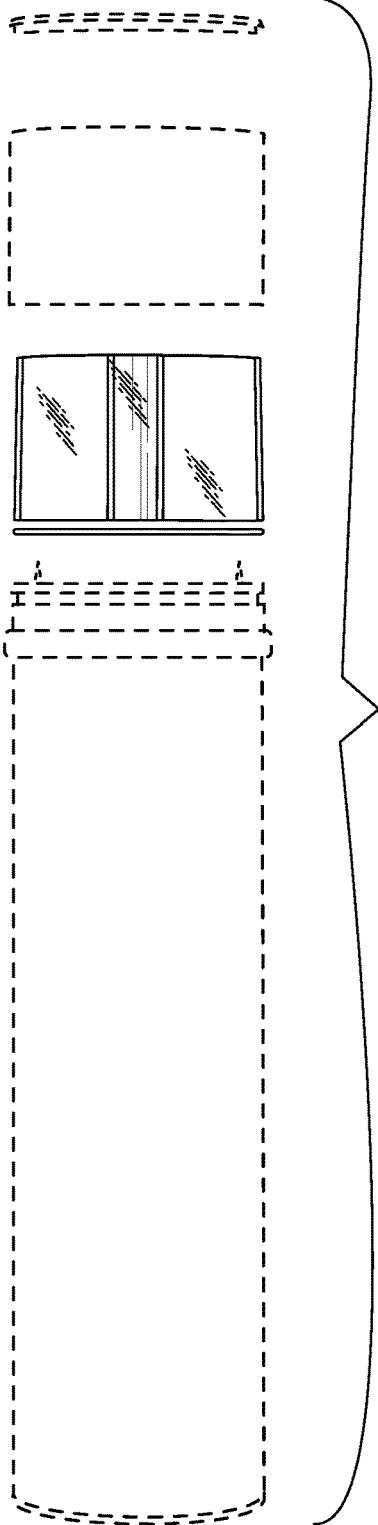
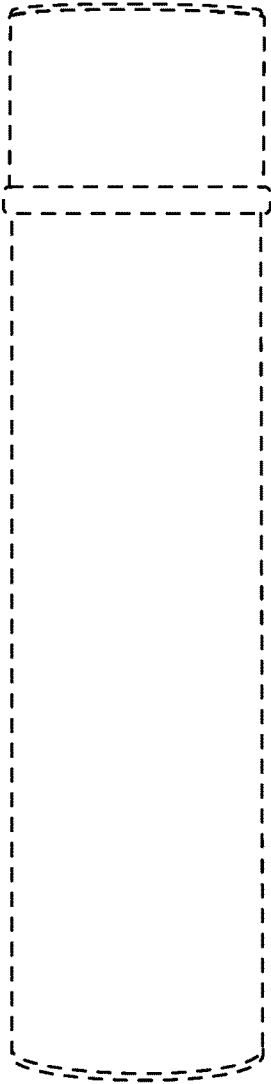


FIG. 4



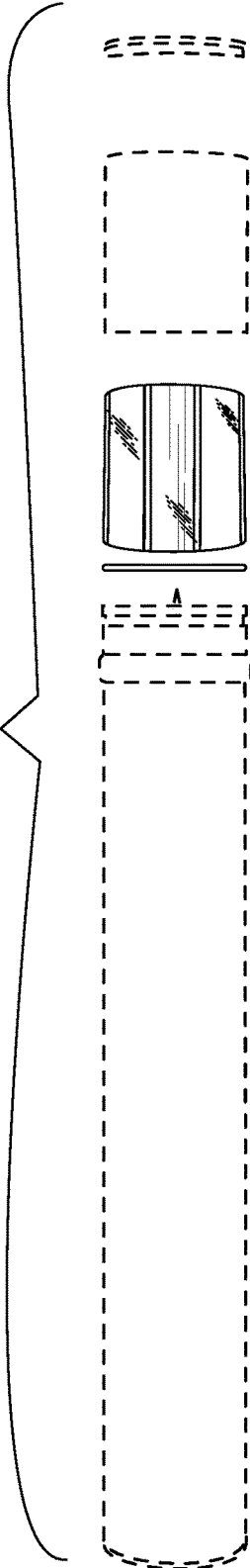
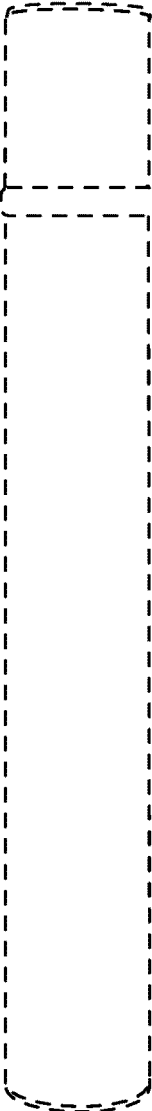


FIG. 5

FIG. 6



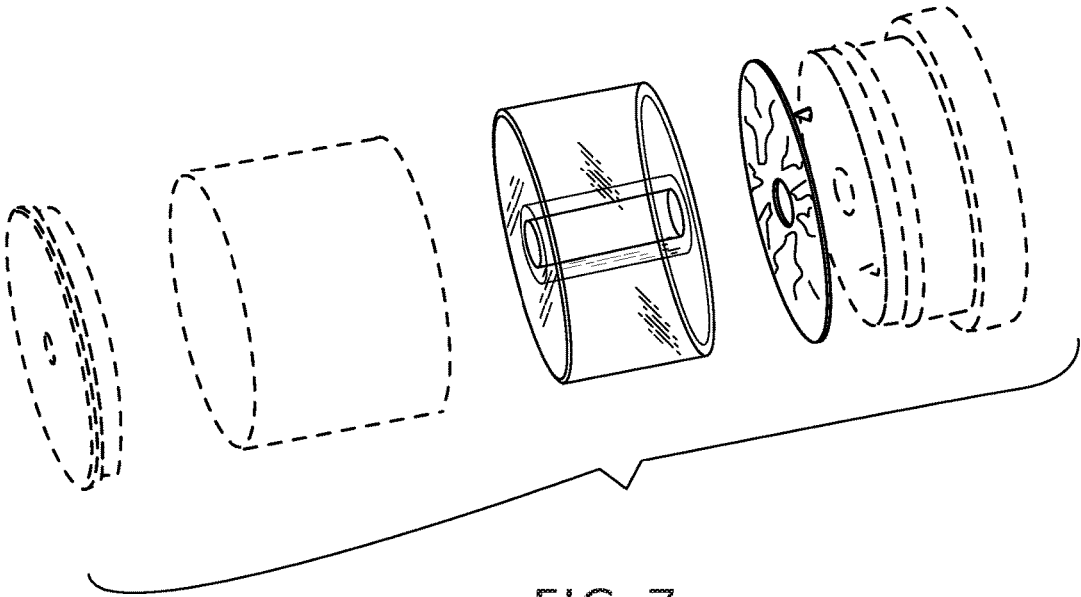


FIG. 7

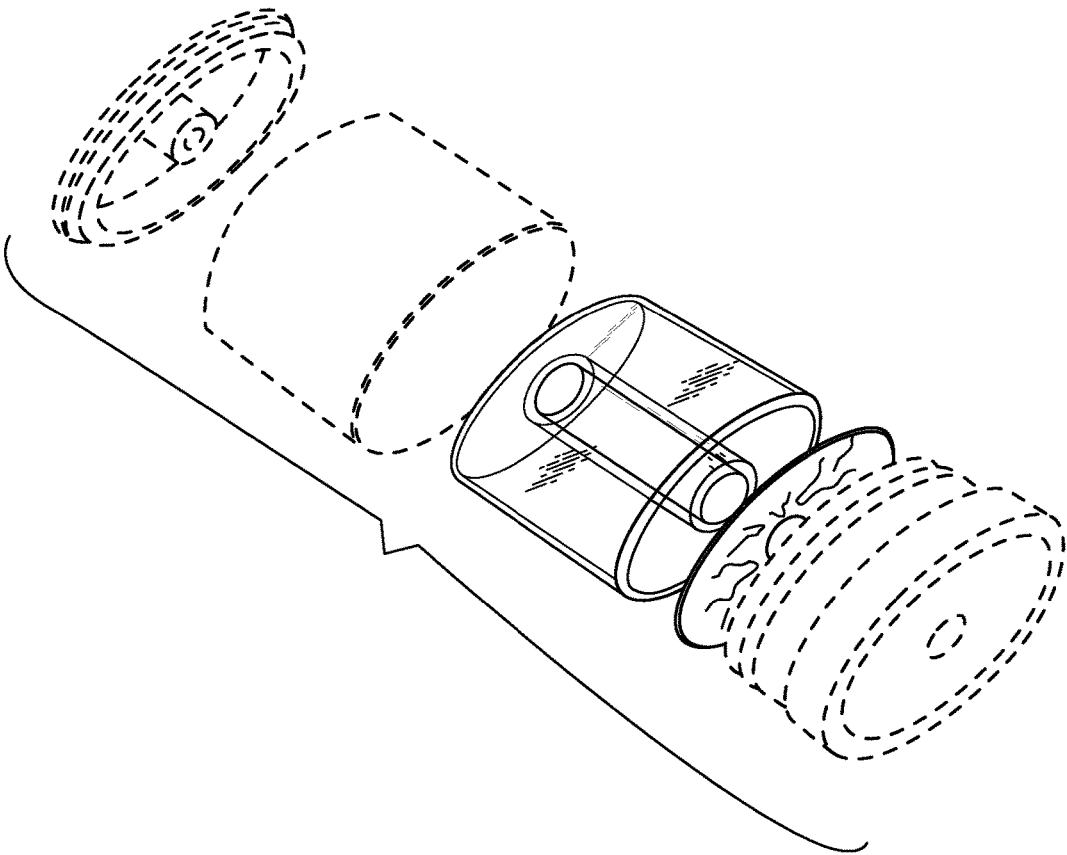


FIG. 8

FIG. 9

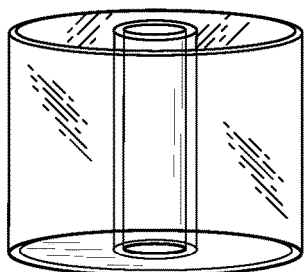


FIG. 10

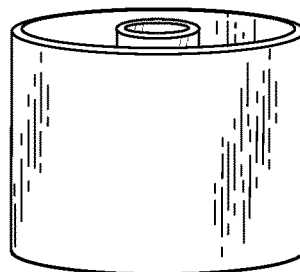


FIG. 11

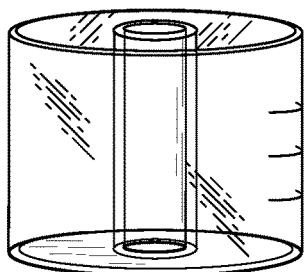


FIG. 12

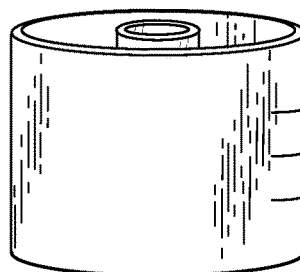


FIG. 13

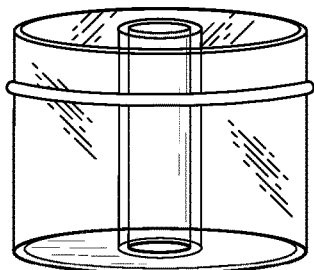


FIG. 14

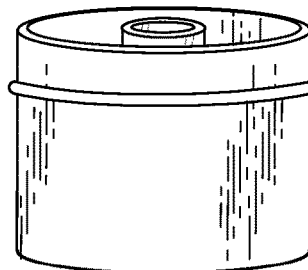


FIG. 15

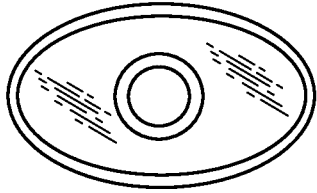


FIG. 16

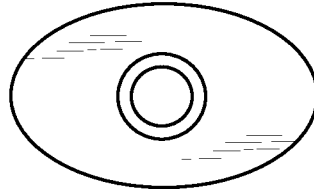


FIG. 17

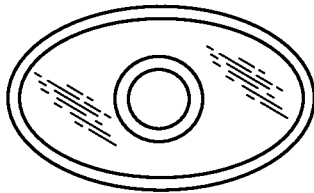


FIG. 18

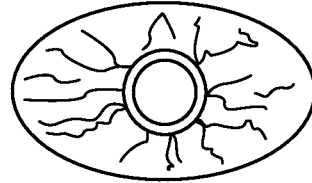


FIG. 19

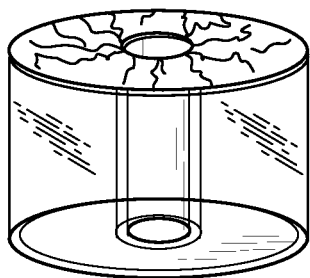


FIG. 20

