

(19) World Intellectual Property Organization
International Bureau



(43) International Publication Date
19 December 2002 (19.12.2002)

PCT

(10) International Publication Number
WO 02/102012 A3

- (51) International Patent Classification⁷: **H04L 29/12**,
29/08, 12/06
- (21) International Application Number: PCT/US02/18485
- (22) International Filing Date: 10 June 2002 (10.06.2002)
- (25) Filing Language: English
- (26) Publication Language: English
- (30) Priority Data:
60/296,902 8 June 2001 (08.06.2001) US
- (71) Applicant (for all designated States except US): **4TH PASS INC.** [US/US]; 83 South King Street, Suite 100, Seattle, WA 98104 (US).
- (72) Inventors; and
- (75) Inventors/Applicants (for US only): **MEHTA, Samir, Narendra** [IN/US]; 300 Vuemont Place Northeast, Apt.

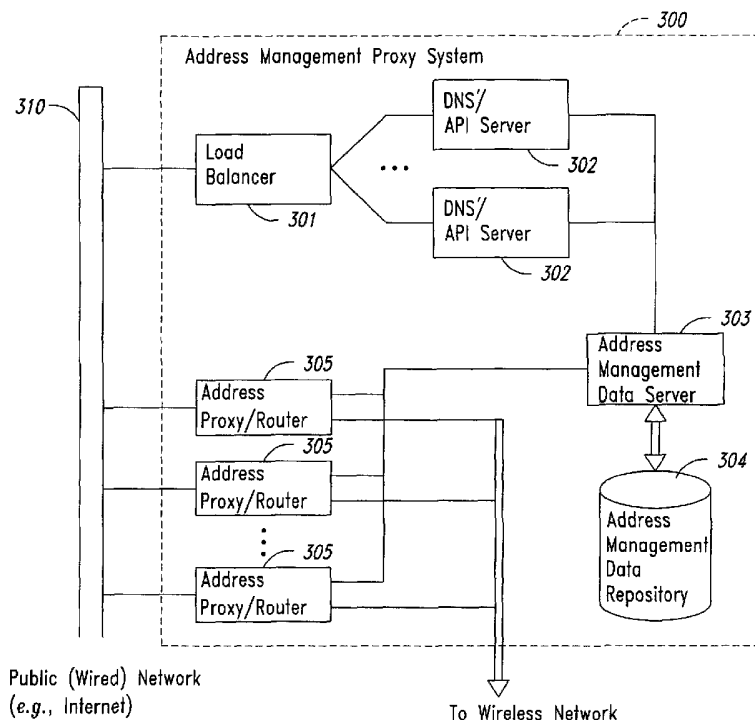
C304, Renton, WA 98056 (US). **RAMADAN, Mazin** [US/US]; 303 East Pike Street, Apt. 313, Seattle, WA 98122 (US). **HELLER, Geoffrey, S.** [US/US]; 2600 Second Avenue, Apt. #1410, Seattle, WA 98121 (US). **SHARMA, Vineet, R.** [IN/US]; 300 Vuemont Place Northeast, Apt. E202, Renton, WA 98056 (US). **JANSEN, Markus, L.** [DE/US]; 300 Vuemont Place Northeast, Apt. N203, Renton, WA 98056 (US). **GOW, Edward, L.** [US/US]; 9822 Waters Avenue South, Seattle, WA 98118 (US). **NGUYEN, Ngochan, T.** [VN/US]; 4601 South Graham Street, Apt. 117, Seattle, WA 98118 (US).

(74) Agents: **BIERMAN, Ellen, M.** et al.; Seed Intellectual Property Law Group PLLC, Suite 6300, 701 Fifth Avenue, Seattle, WA 98104-7092 (US).

(81) Designated States (national): AE, AG, AL, AM, AT, AU, AZ, BA, BB, BG, BR, BY, BZ, CA, CH, CN, CO, CR, CU, CZ, DE, DK, DM, DZ, EC, EE, ES, FI, GB, GD, GE, GH, GM, HR, HU, ID, IL, IN, IS, JP, KE, KG, KP, KR, KZ, LC,

[Continued on next page]

(54) Title: METHOD AND SYSTEM FOR TWO-WAY INITIATED DATA COMMUNICATION WITH WIRELESS DEVICES



(57) Abstract: Methods and systems for providing two-way initiated, bi-directional communication with wireless devices using connection-based or connection-less protocols, such as, TCP/IP and UDP/IP, are provided. An Address Management Proxy System ("AMPS"), which enables devices and systems connected to a public internet, is provided, to initiate communication with and to send data to wireless devices connected to a private wireless network, without exposing the non-routable private addresses of these wireless devices. The AMPS allocates a public (routable) network address for temporarily use by a requesting device on a public network to communicate with a wireless device on a wireless network. A pool of public addresses, maintained by the AMPS and allocated dynamically to wireless network devices as required. The AMPS comprises one or more modified DNS/API servers, Address Proxy/Routers, an Address Management Data Server, data

repositories, and optionally a load balancer. The AMPS DNS/API server receives a request from a device on a public network for a particular wireless device, and returns an appropriate temporary public address, which is internally mapped to the private address of the wireless device.

WO 02/102012 A3



LK, LR, LS, LT, LU, LV, MA, MD, MG, MK, MN, MW, MX, MZ, NO, NZ, OM, PH, PL, PT, RO, RU, SD, SE, SG, SI, SK, SL, TJ, TM, TN, TR, TT, TZ, UA, UG, US, UZ, VN, YU, ZA, ZM, ZW.

Published:

— with international search report

(84) Designated States (regional): ARIPO patent (GH, GM, KE, LS, MW, MZ, SD, SL, SZ, TZ, UG, ZM, ZW), Eurasian patent (AM, AZ, BY, KG, KZ, MD, RU, TJ, TM), European patent (AT, BE, CH, CY, DE, DK, ES, FI, FR, GB, GR, IE, IT, LU, MC, NL, PT, SE, TR), OAPI patent (BF, BJ, CF, CG, CI, CM, GA, GN, GQ, GW, ML, MR, NE, SN, TD, TG).

(88) Date of publication of the international search report:

3 April 2003

For two-letter codes and other abbreviations, refer to the "Guidance Notes on Codes and Abbreviations" appearing at the beginning of each regular issue of the PCT Gazette.

INTERNATIONAL SEARCH REPORT

International Application No

PCT/US 02/18485

A. CLASSIFICATION OF SUBJECT MATTER
 IPC 7 H04L29/12 H04L29/08 H04L12/06

According to International Patent Classification (IPC) or to both national classification and IPC

B. FIELDS SEARCHED

Minimum documentation searched (classification system followed by classification symbols)
 IPC 7 H04L H04Q

Documentation searched other than minimum documentation to the extent that such documents are included in the fields searched

Electronic data base consulted during the international search (name of data base and, where practical, search terms used)

EPO-Internal, WPI Data, PAJ, INSPEC

C. DOCUMENTS CONSIDERED TO BE RELEVANT

Category °	Citation of document, with indication, where appropriate, of the relevant passages	Relevant to claim No.
X	EP 1 003 315 A (MITSUBISHI MATERIALS CORP) 24 May 2000 (2000-05-24) column 1, line 33 - line 36 column 9, line 43 - line 48 column 10, line 15 - line 16 column 10, line 44 - line 53 paragraphs '0002!', '0046!', '0053!'-'0067! figures 4-6	1-108
A	EP 0 883 271 A (HEWLETT PACKARD CO) 9 December 1998 (1998-12-09) figure 2	1-108
A	WO 99 07108 A (NOKIA TELECOMMUNICATIONS OY ;YLAE JAEAESKI ANTTI (FI); EKBERG JAN) 11 February 1999 (1999-02-11) page 9, line 17 - line 21	15, 16, 36, 37
	-/--	

Further documents are listed in the continuation of box C.

Patent family members are listed in annex.

° Special categories of cited documents :

- *A* document defining the general state of the art which is not considered to be of particular relevance
- *E* earlier document but published on or after the international filing date
- *L* document which may throw doubts on priority claim(s) or which is cited to establish the publication date of another citation or other special reason (as specified)
- *O* document referring to an oral disclosure, use, exhibition or other means
- *P* document published prior to the international filing date but later than the priority date claimed

- *T* later document published after the international filing date or priority date and not in conflict with the application but cited to understand the principle or theory underlying the invention
- *X* document of particular relevance; the claimed invention cannot be considered novel or cannot be considered to involve an inventive step when the document is taken alone
- *Y* document of particular relevance; the claimed invention cannot be considered to involve an inventive step when the document is combined with one or more other such documents, such combination being obvious to a person skilled in the art.
- * & * document member of the same patent family

Date of the actual completion of the international search

Date of mailing of the international search report

29 November 2002

16/12/2002

Name and mailing address of the ISA

European Patent Office, P.B. 5818 Patentlaan 2
 NL - 2280 HV Rijswijk
 Tel. (+31-70) 340-2040, Tx. 31 651 epo nl,
 Fax: (+31-70) 340-3016

Authorized officer

Siebel, C

INTERNATIONAL SEARCH REPORT

International Application No

PCT/US 02/18485

C.(Continuation) DOCUMENTS CONSIDERED TO BE RELEVANT

Category °	Citation of document, with indication, where appropriate, of the relevant passages	Relevant to claim No.
P,X	<p>KATO ET AL.: "Mobile IP using private IP addresses" 'Online! 5 July 2001 (2001-07-05) , IEEE , COMPUTERS AND COMMUNICATIONS, 2001. PROCEEDINGS. SIXTH IEEE SYMPOSIUM ON XP002222990 Retrieved from the Internet: <URL: http://ieeexplore.ieee.org/ie15/7446/20240/00935420.pdf?isNumber=20240&prod=CNF&arnumber=935420&arSt=491&ared=497&arAuthor=Kato%2C+T.%3B+Idoue%2C+A.%3B+Yokota%2C+H.0> 'retrieved on 2002-11-29! page 491 -page 497 -----</p>	1-108

INTERNATIONAL SEARCH REPORT

Information on patent family members

International Application No

PCT/US 02/18485

Patent document cited in search report		Publication date	Patent family member(s)	Publication date
EP 1003315	A	24-05-2000	JP 3327225 B2	24-09-2002
			JP 2000138696 A	16-05-2000
			EP 1003315 A2	24-05-2000
			EP 1037434 A1	20-09-2000
			WO 0027080 A1	11-05-2000
EP 0883271	A	09-12-1998	US 6041041 A	21-03-2000
			EP 0883271 A2	09-12-1998
			JP 10322333 A	04-12-1998
WO 9907108	A	11-02-1999	FI 972980 A	15-01-1999
			FI 981031 A	15-01-1999
			AU 741703 B2	06-12-2001
			AU 8443398 A	22-02-1999
			CN 1267414 T	20-09-2000
			EP 1005737 A2	07-06-2000
			WO 9907108 A2	11-02-1999
			JP 2001512926 T	28-08-2001
			NO 20000170 A	13-03-2000
			US 6240091 B1	29-05-2001