



US00D581376S

(12) **United States Design Patent**  
**Shaner**

(10) **Patent No.:** **US D581,376 S**

(45) **Date of Patent:** **\*\* Nov. 25, 2008**

(54) **HEAT SINK**

D465,462 S \* 11/2002 Hsieh ..... D13/179

(75) Inventor: **Jeff R. Shaner**, Covington, GA (US)

\* cited by examiner

(73) Assignee: **ABL IP Holding LLC**, Lithonia, GA (US)

*Primary Examiner*—Selina Sikder

(74) *Attorney, Agent, or Firm*—Kilpatrick Stockton, LLP

(\*\*) Term: **14 Years**

(57) **CLAIM**

(21) Appl. No.: **29/297,311**

The ornamental design for a heat sink, as shown and described.

(22) Filed: **Nov. 8, 2007**

(51) **LOC (8) Cl.** ..... **13-03**

(52) **U.S. Cl.** ..... **D13/179**

(58) **Field of Classification Search** ..... D13/179;  
165/80.3, 104.33, 151, 122, 185; 257/706,  
257/707, 718-722; 361/687, 695, 697, 700,  
361/702, 704, 709, 710, 711, 719

See application file for complete search history.

**DESCRIPTION**

FIG. 1 shows a top perspective view of a heat sink according to the present invention.

FIG. 2 shows a bottom perspective view of the heat sink of FIG. 1.

FIG. 3 shows a top view of the heat sink of FIG. 1.

FIG. 4 shows a bottom view of the heat sink of FIG. 1.

FIG. 5 shows a front view of the heat sink of FIG. 1, the rear view being a mirror image of the front view; and,

FIG. 6 shows a right side view of the heat sink of FIG. 1, the left side view being a mirror image of the right side view.

Portions or features of the heat sink shown in broken lines form no part of the claimed design.

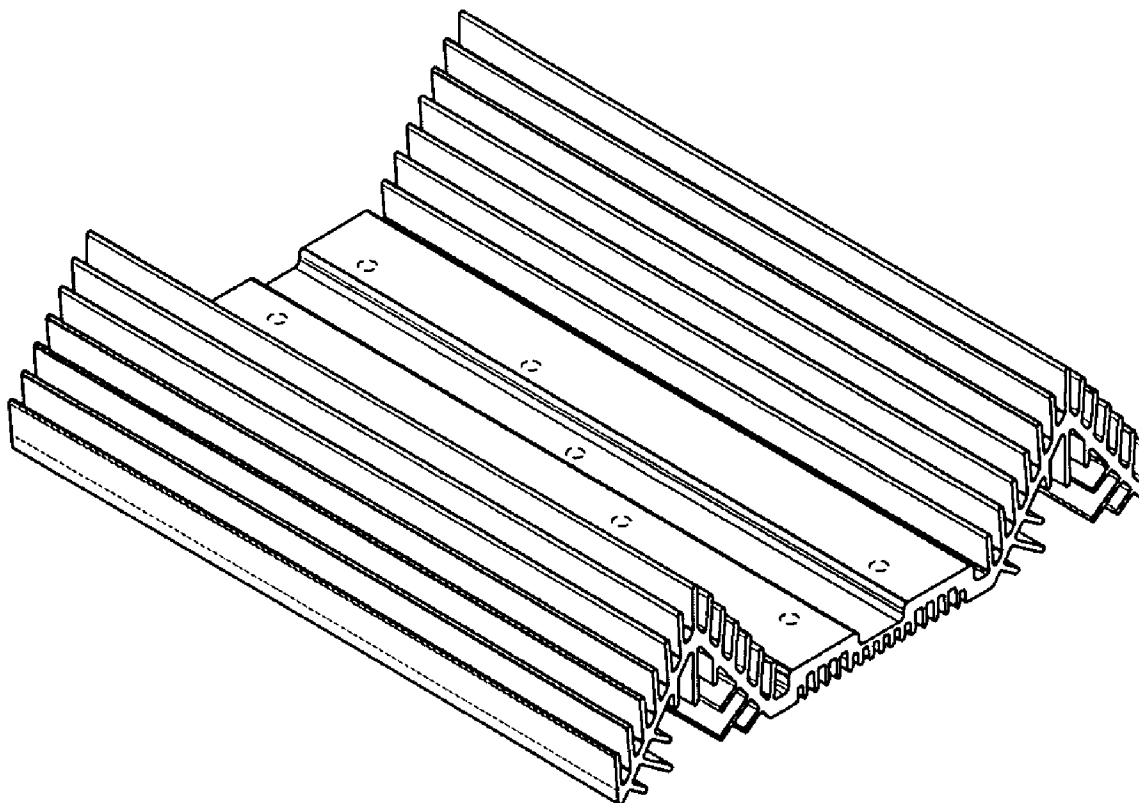
(56)

**References Cited**

**U.S. PATENT DOCUMENTS**

4,933,746	A	*	6/1990	King	.....	257/718
D313,399	S	*	1/1991	Earl et al.	.....	D13/179
D315,832	S	*	4/1991	Rocheleau et al.	.....	D13/179
D338,449	S	*	8/1993	Sahyoun	.....	D13/179
6,324,059	B1	*	11/2001	Werner	.....	361/704
6,385,047	B1	*	5/2002	McCullough et al.	.....	361/704

**1 Claim, 4 Drawing Sheets**



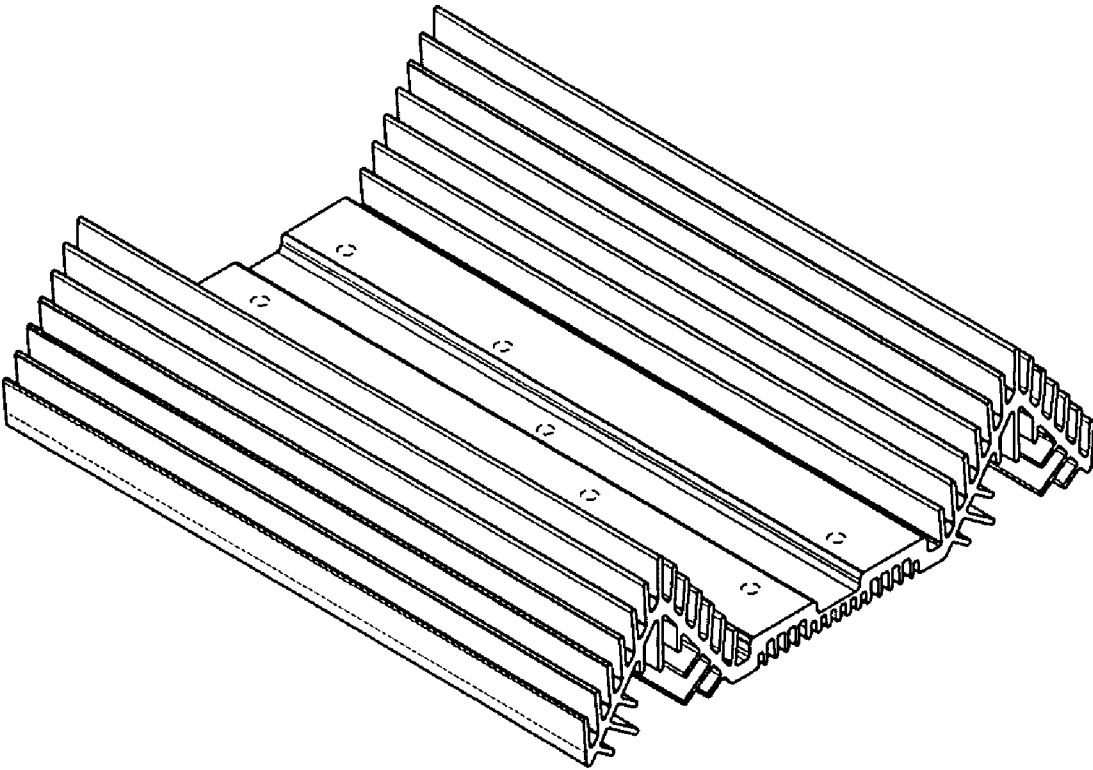


FIG. 1

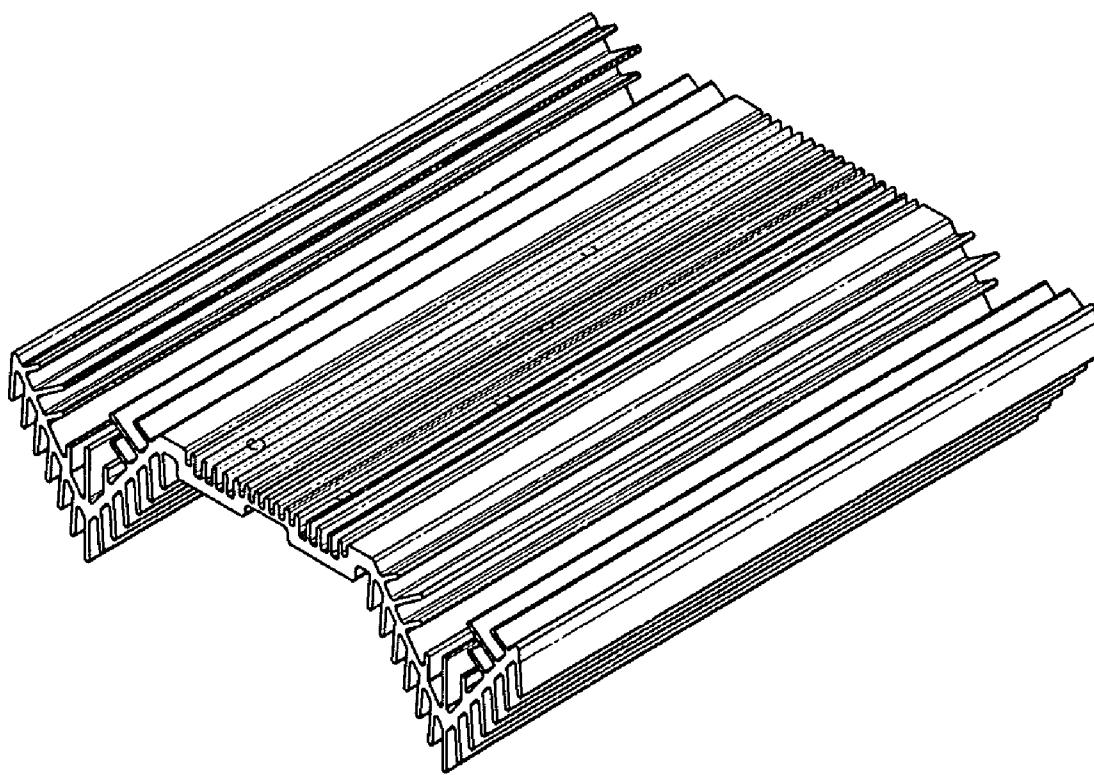


FIG. 2

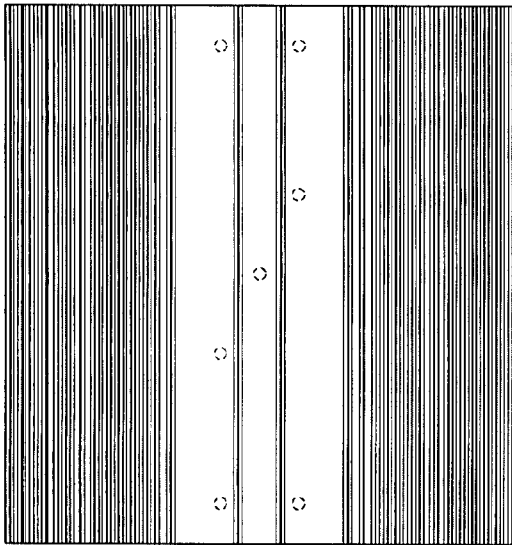


FIG. 3

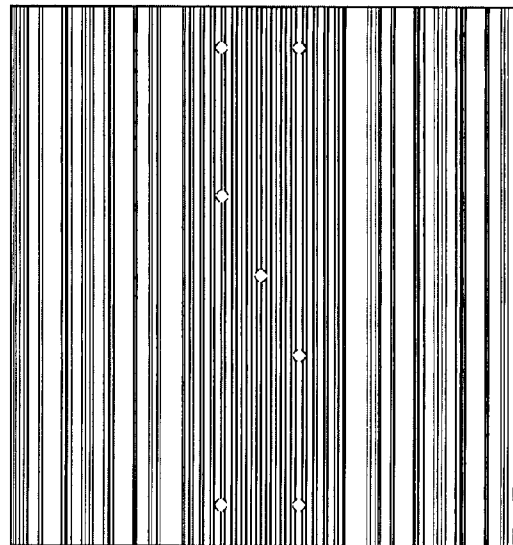


FIG. 4

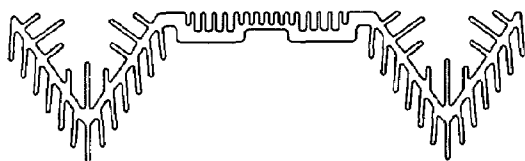


FIG. 5



FIG. 6