



US00D354592S

# United States Patent [19]

[11] Patent Number: **Des. 354,592**

**Powers**

[45] Date of Patent: **\*\* Jan. 17, 1995**

[54] **BRUSH-TYPE CLEANING DEVICE**

[76] Inventor: **Donald B. Powers, 7740 McCallum, Apt. 347, Dallas, Tex. 75252-7554**

[\*\*] Term: **14 Years**

[21] Appl. No.: **14,767**

[22] Filed: **Nov. 2, 1993**

[52] U.S. Cl. .... **D32/17; D32/18; D4/100**

[58] Field of Search ..... **D32/17-18, D32/21-22; 15/344, 329, 347; D4/100, 102, 127**

[56] **References Cited**

### U.S. PATENT DOCUMENTS

|            |         |               |       |        |
|------------|---------|---------------|-------|--------|
| D. 209,274 | 11/1967 | Richards      | ..... | D32/18 |
| D. 211,396 | 6/1968  | Hori          | ..... | D32/18 |
| D. 211,751 | 7/1968  | Richards      | ..... | D32/18 |
| D. 214,084 | 5/1969  | Chi           | ..... | D32/18 |
| D. 246,752 | 12/1977 | Fukuda et al. | ..... | D32/18 |

|            |        |                |       |        |
|------------|--------|----------------|-------|--------|
| D. 247,341 | 2/1978 | Delly          | ..... | D32/18 |
| D. 279,626 | 7/1985 | McCloskey      | ..... | D4/100 |
| D. 305,480 | 1/1990 | Yuen           | ..... | D4/100 |
| D. 306,657 | 3/1990 | Fushiya et al. | ..... | D4/100 |
| D. 307,656 | 5/1990 | Yuen           | ..... | D32/22 |
| D. 316,316 | 4/1991 | Yuen           | ..... | D4/102 |
| 3,513,500  | 5/1970 | Hori           | ..... | 15/344 |

### OTHER PUBLICATIONS

Hay Kay Enterprise, vol. 4, 1983, p. 120. "Item 9805".

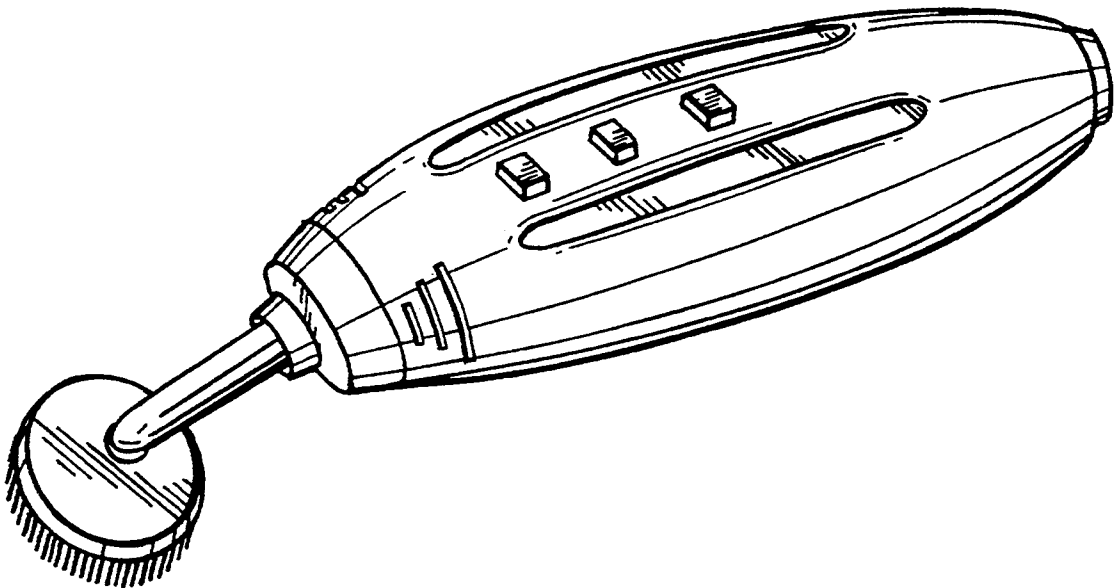
*Primary Examiner*—Ruth McInroy  
*Attorney, Agent, or Firm*—H. Jay Spiegel

### [57] CLAIM

The ornamental design for a brush-type cleaning device, as shown and described.

### DESCRIPTION

FIG. 1 is a top, rear and side perspective view of a brush-type cleaning device showing my new design; FIG. 2 is a right side elevational view thereof; FIG. 3 is a left side elevational view thereof; and, FIG. 4 is a front elevational view thereof.



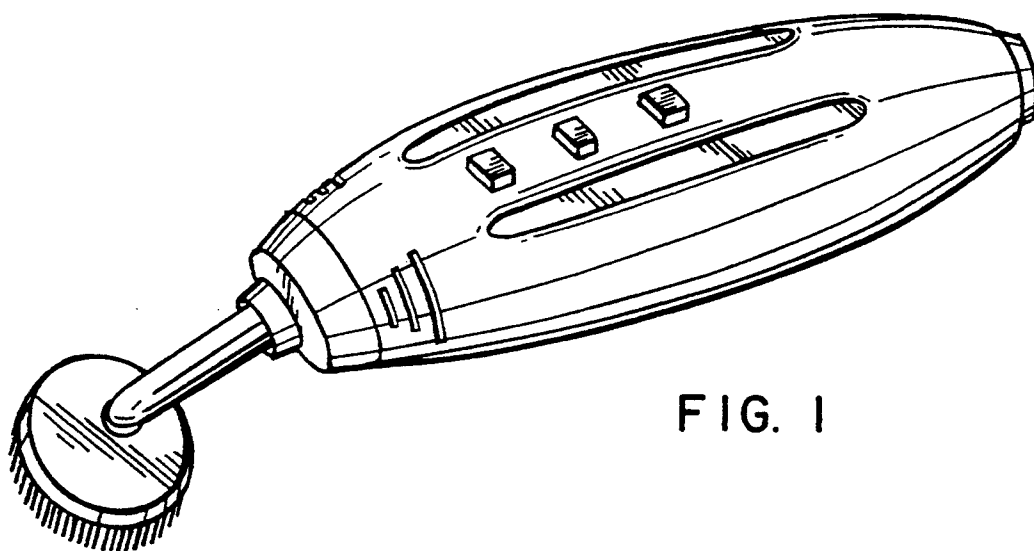


FIG. 1

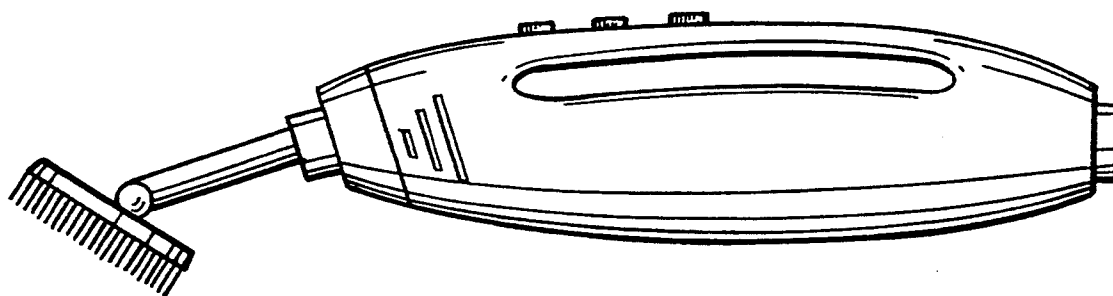


FIG. 2

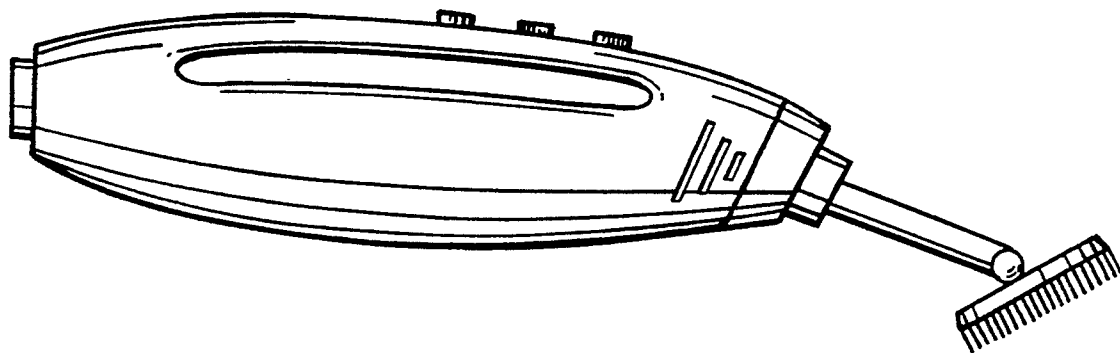


FIG. 3

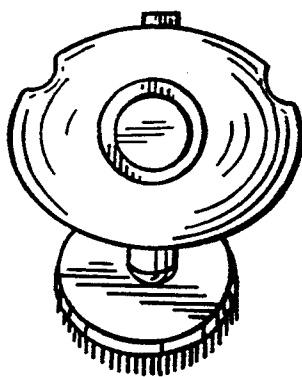


FIG. 4